

ELECTRICAL
OD-820HE

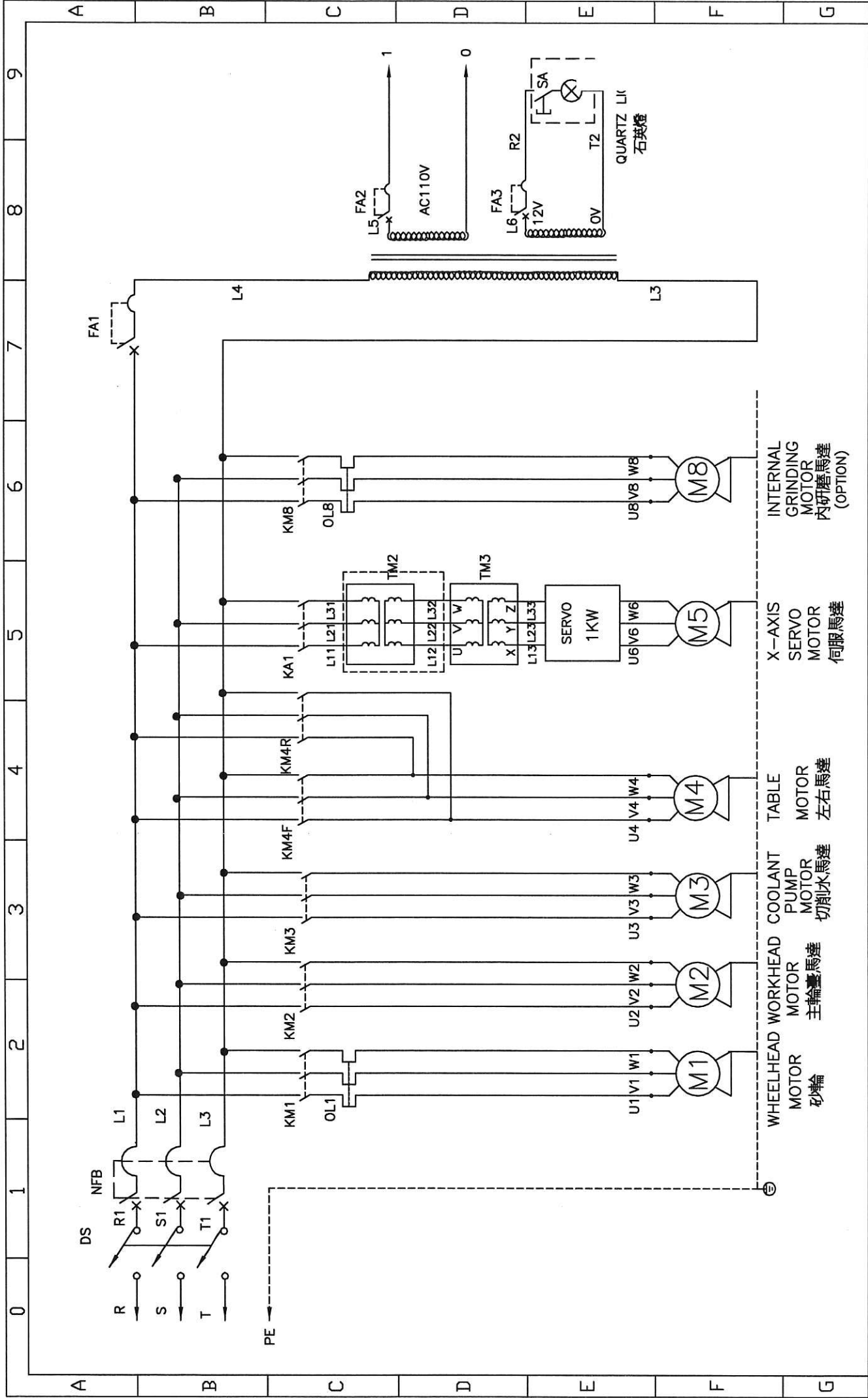
SHARP

MODEL : OD-820HE

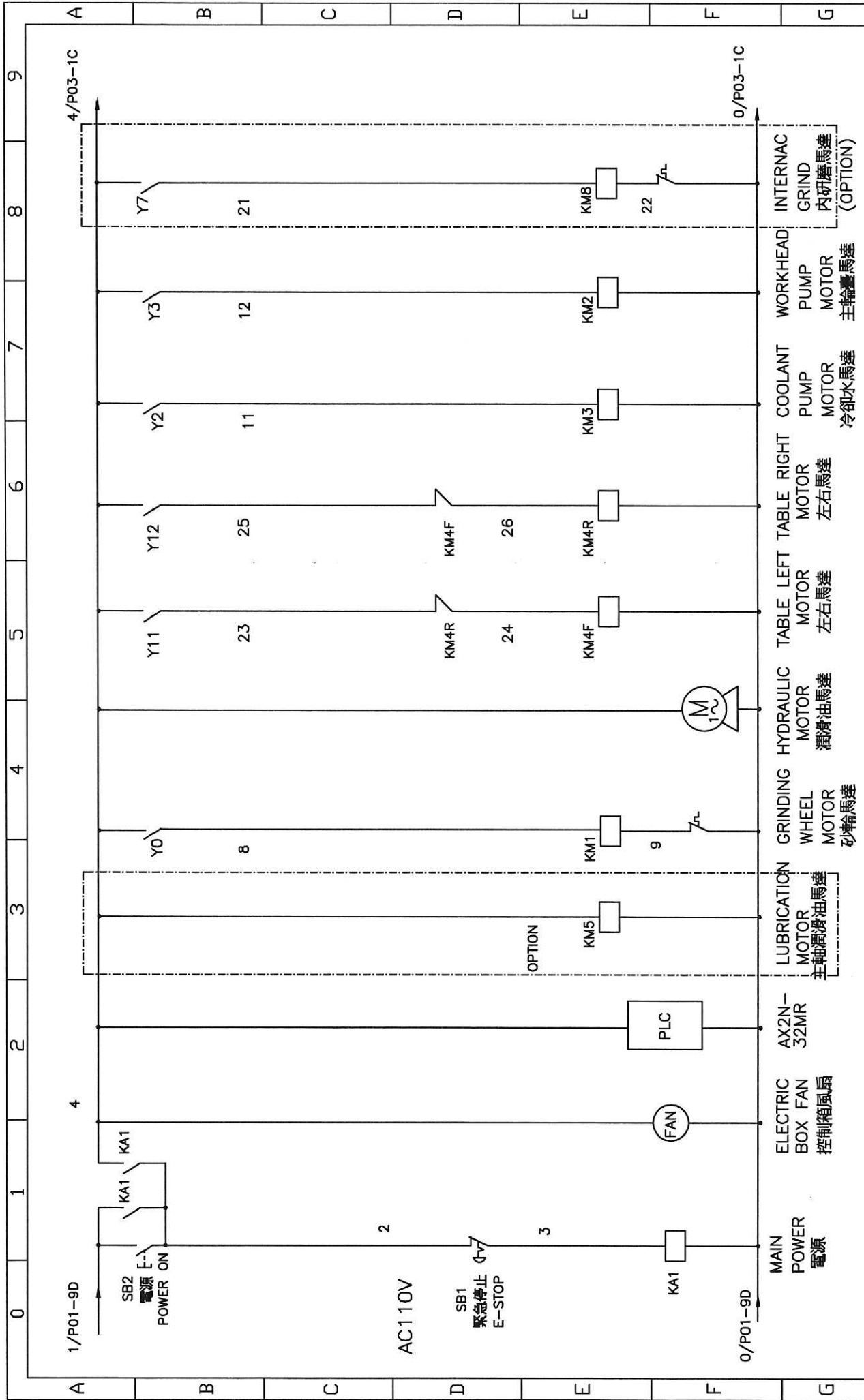
SERIAL NO. GB18023

MFG. DATE 2018.08.08

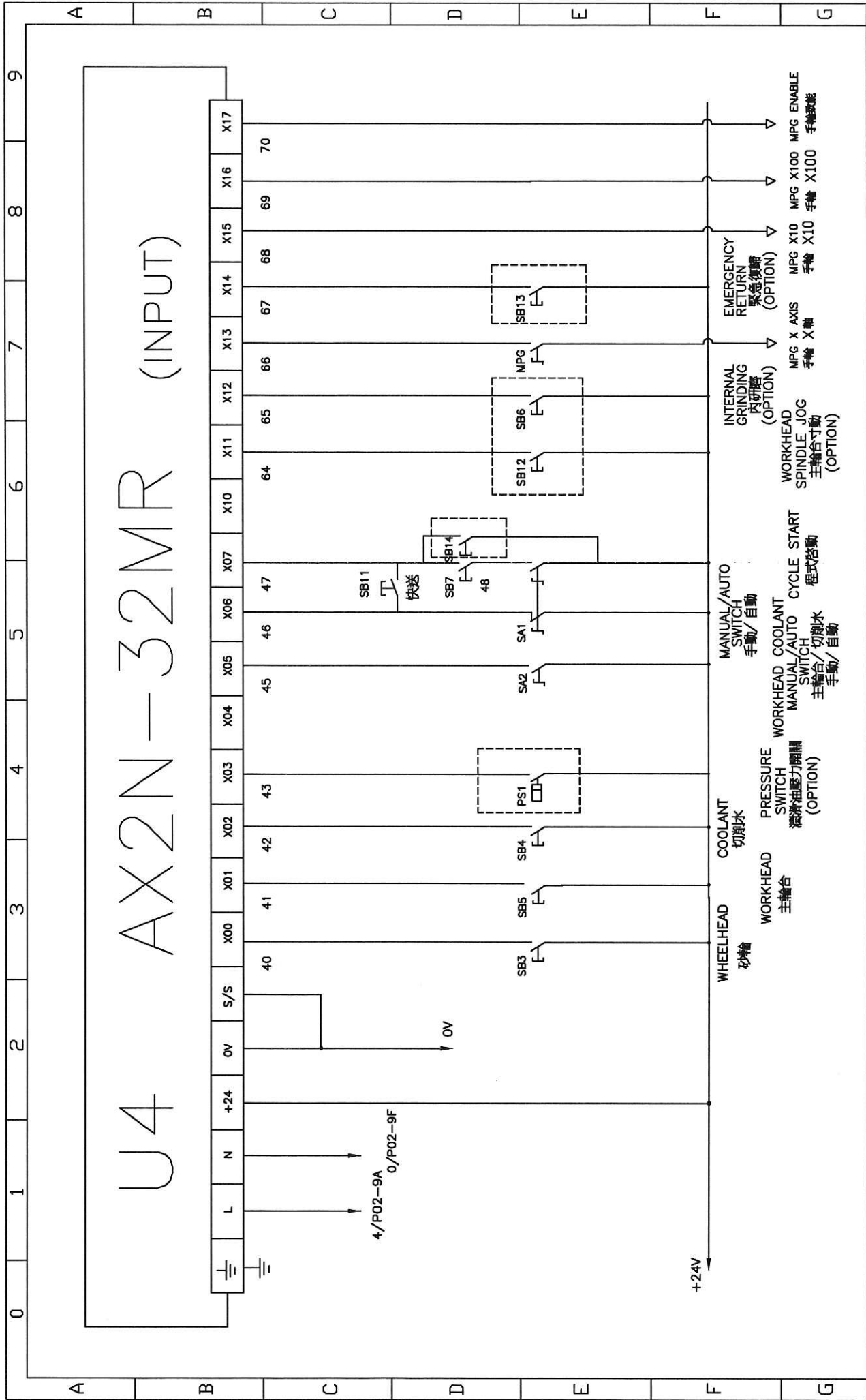
EDITION : 2018.08.09



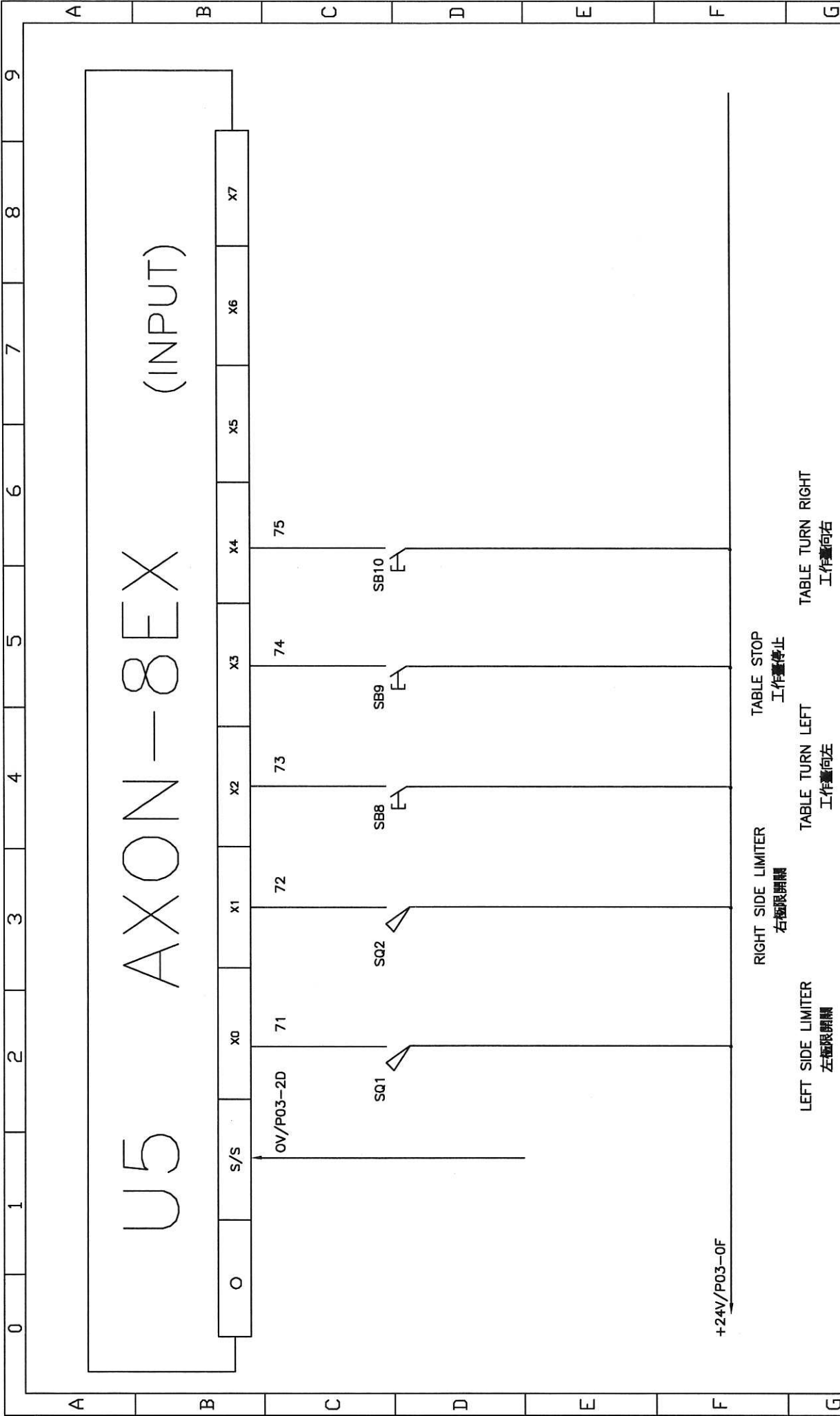
d	Modify	10_09_23	Approved	07_01_05	SHUN	SHARP	NC Type	AX2N-10GM	Machine:	0D-820	Drawing No.:	01	
c		SHUN	Checked	07_01_05	SHUN		PC ROM		Title:	MOTOR CONTROL SYSTEM			
b	Edition		Designed	07_01_05	SHUN								
a			Drawn	07_01_05	SHUN								



d	Modify	10	09	23	Approved	07	01	05	SHUN	SHARP	NC Type	AX2N-10GM	Machine:	OD-820	Drawing No.:	02
c				Checked	07	01	05	SHUN	PC ROM					Title:		CONTROL CIRCUIT
b				Designed	07	01	05	SHUN								
a				Drawn	07	01	05	SHUN								



d	Modify	10	09	23	Approved	07	01	05	SHUN	SHARP	NC Type	AX2N-10GM	Machine:	OD-820	Drawing No.:	03
c					Checked	07	01	05	SHUN		PC ROM					
b	Edition				Designed	07	01	05	SHUN					Title:	AX2N-32MR(PLC) INPUT	
a					Drawn	07	01	05	SHUN							



d	Modify	10	09	23	Approved	07	01	05	SHUN	SHARP	NC Type	AX2N-10GM	MODEL:	OD-820	Drawing No.:	04
c				Checked	07	01	05	SHUN	PC ROM			Title:		AX2N-8EX(PLC) INPUT		
b	Edition			Designed	07	01	05	SHUN								
a				Drawn	07	01	05	SHUN								

RIGHT SIDE LIMITER 右極限開關
 TABLE STOP 工作臺停止
 TABLE TURN LEFT 工作臺向左
 TABLE TURN RIGHT 工作臺向右
 LEFT SIDE LIMITER 左極限開關

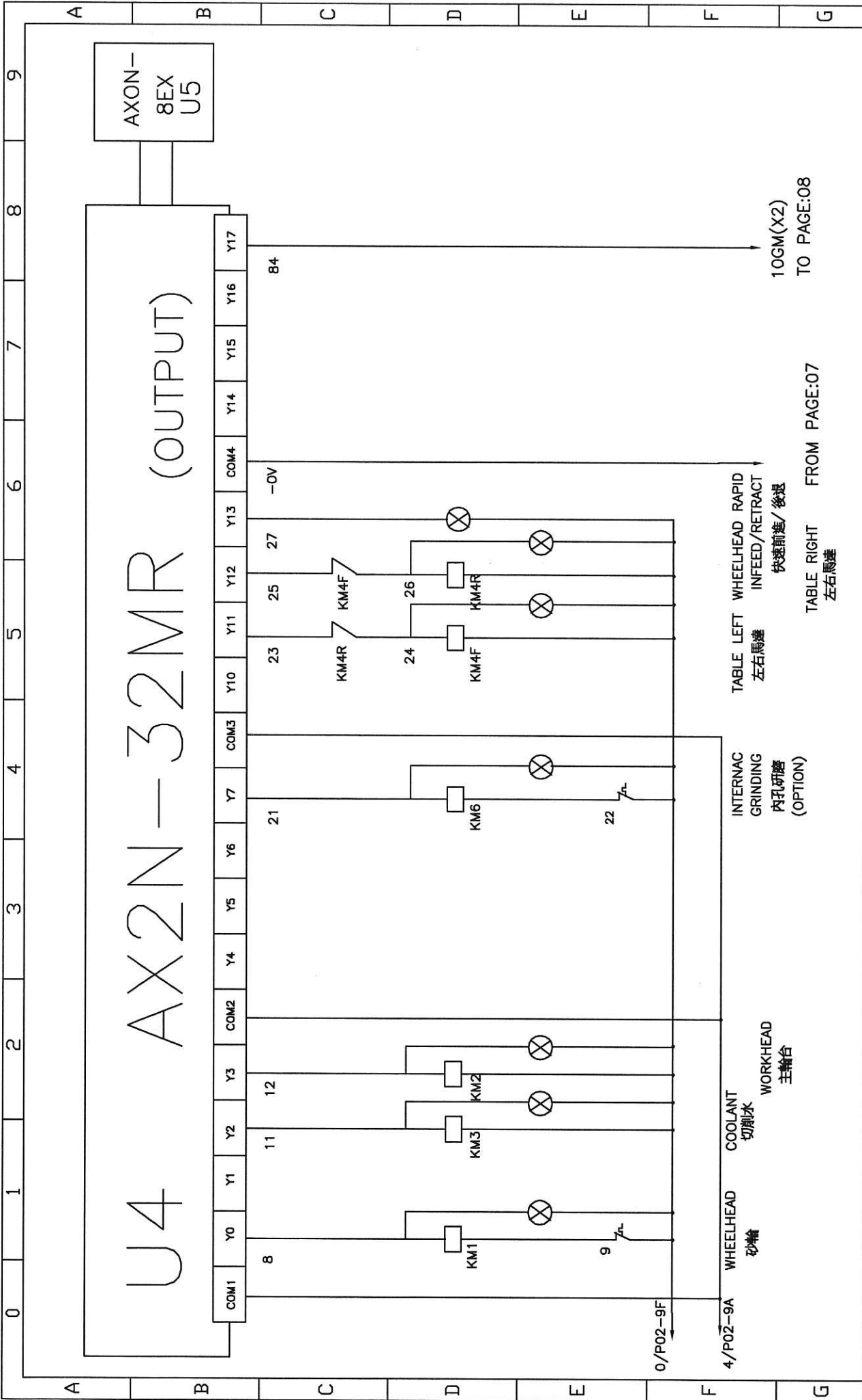
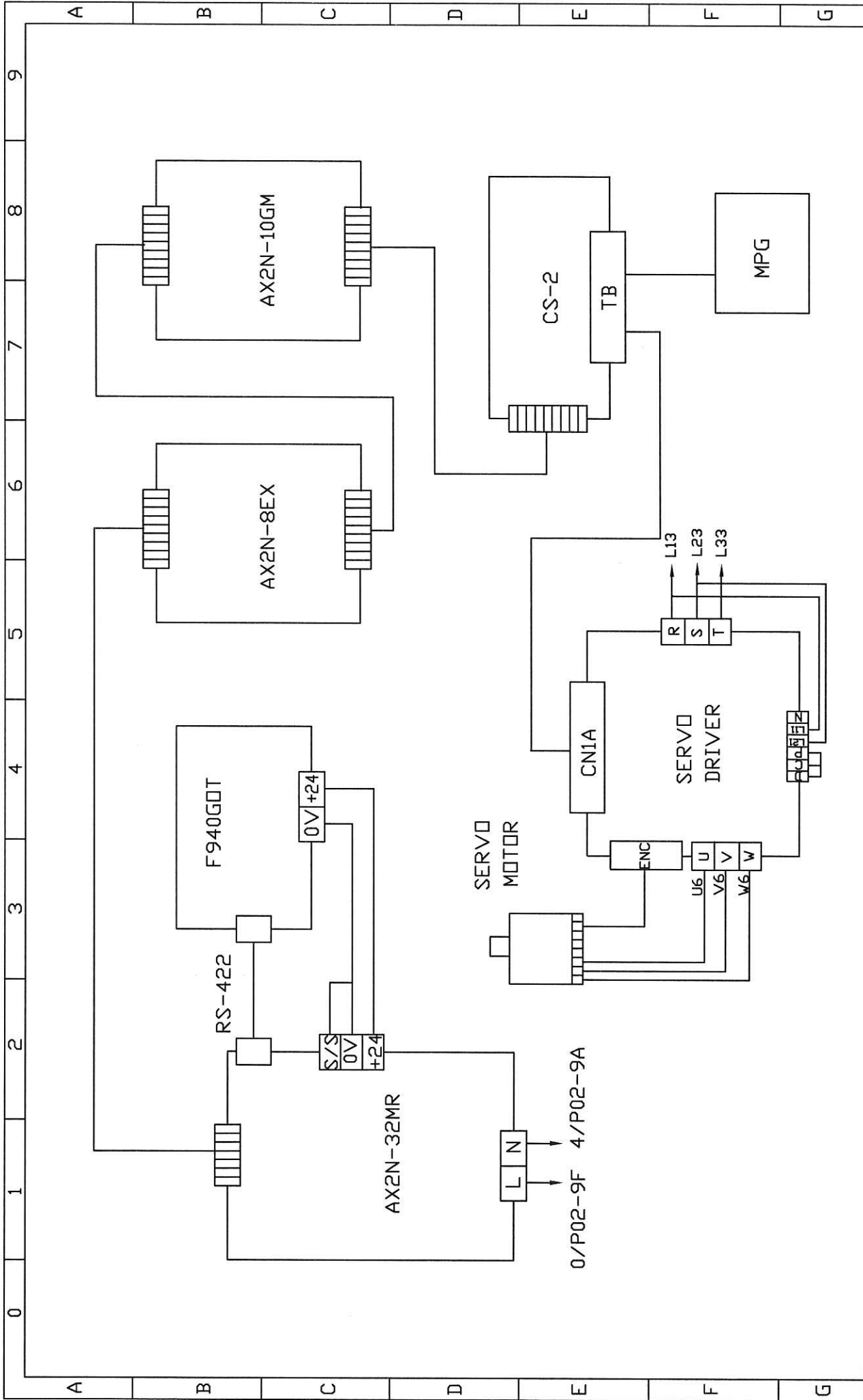
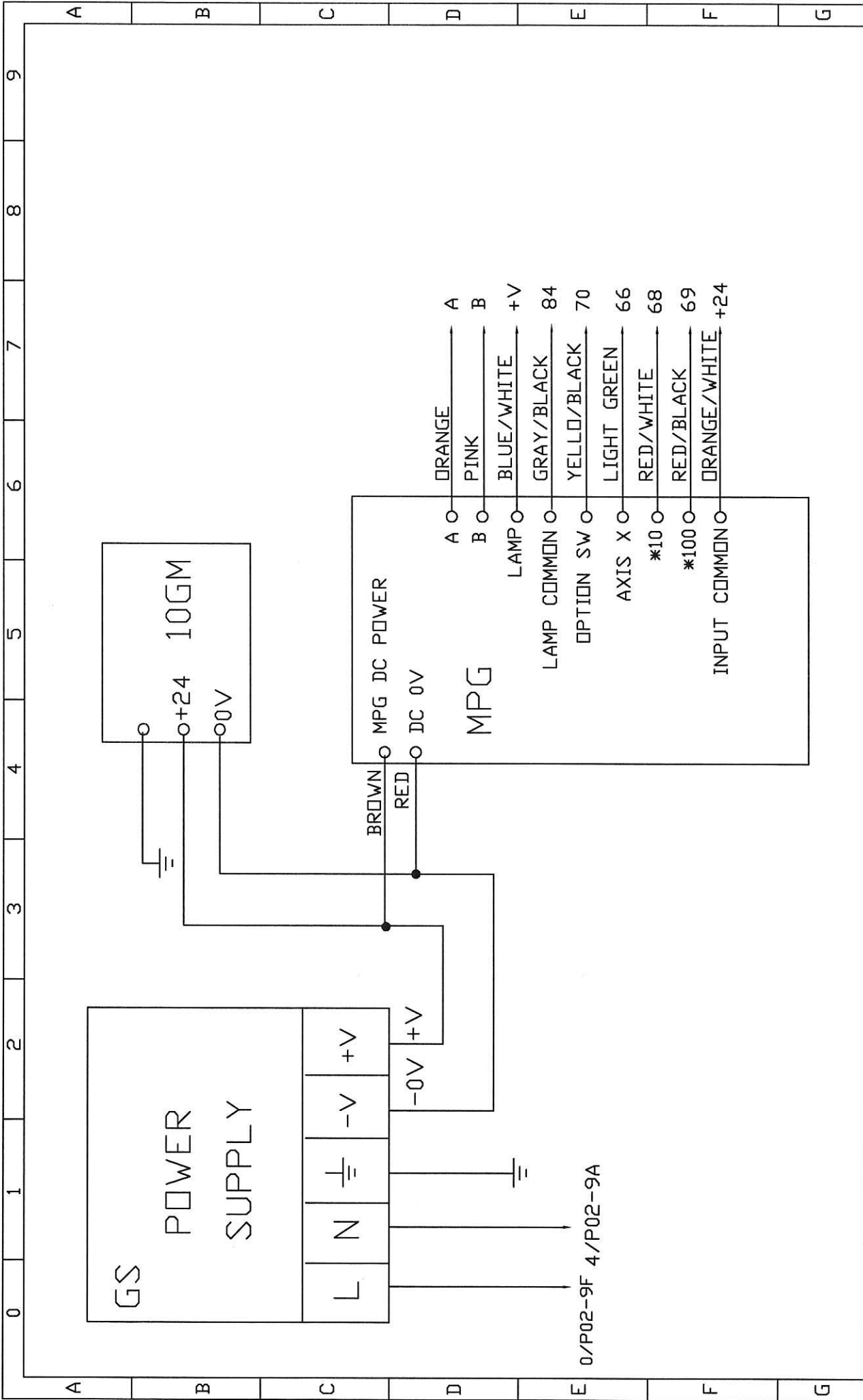


TABLE RIGHT FROM PAGE:07 TO PAGE:08
左右馬達

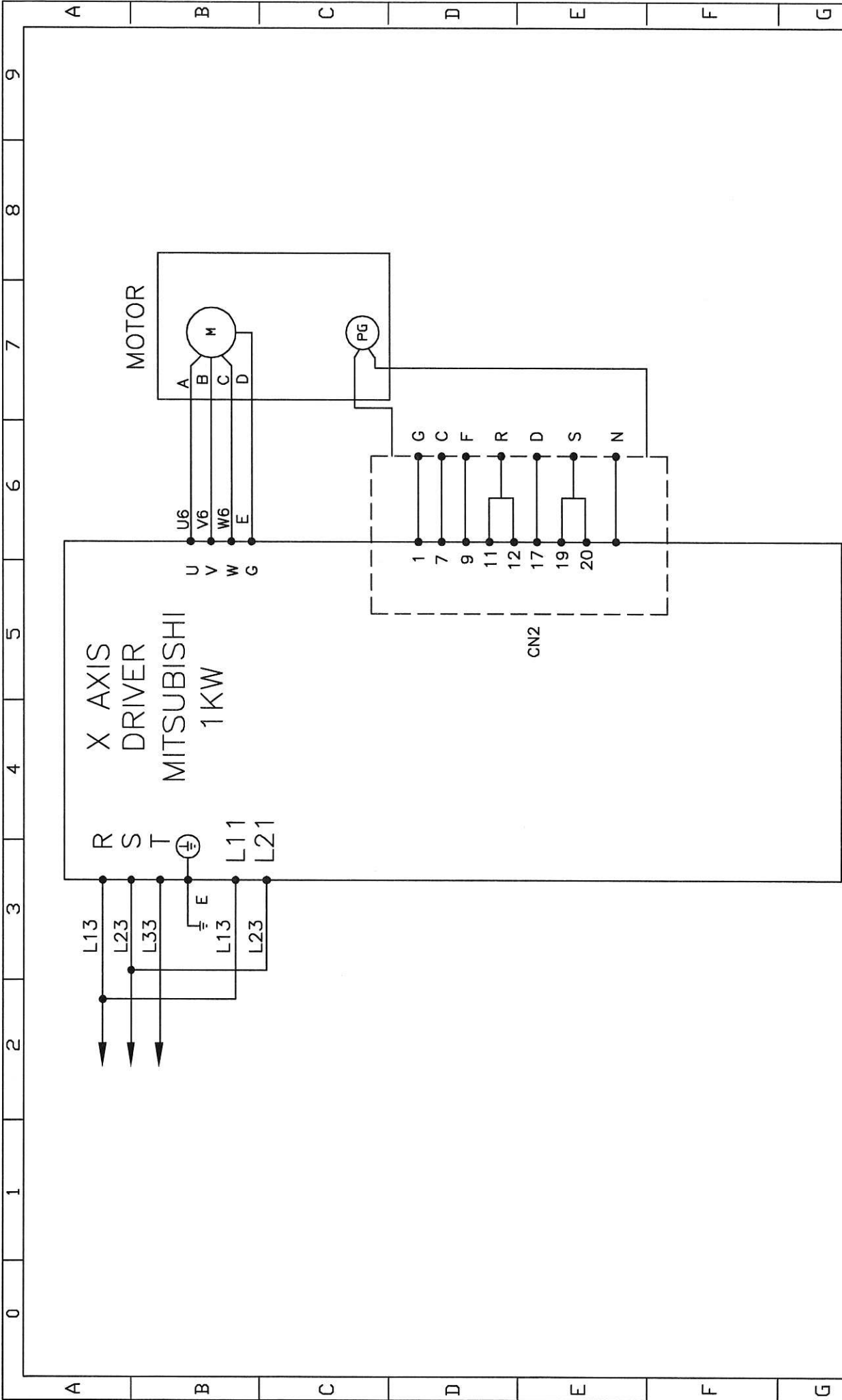
d	Modify	10_09_23	Approved	07_01_05	SHUN	SHARP	NC Type	AX2N-10GM	MODEL:	OD-820	Drawing No.:	05
	c	SHUN	Checked	07_01_05	SHUN		PC ROM	Title:	AX2N-32MR(PLC) OUTPUT			
b	Edition		Designed	07_01_05	SHUN							
a			Drawn	07_01_05	SHUN							



d	Modify	10_09_23	SHUN	Approved	07_01_05	SHUN	SHARP		NC Type	AX2N-10GM	Machine:	OD-820	Drawing No.:	06	
c				Checked	07_01_05	SHUN			PC ROM			Title:	DRIVER LAYOUT		
b				Designed	07_01_05	SHUN									
a				Drawn	07_01_05	SHUN									

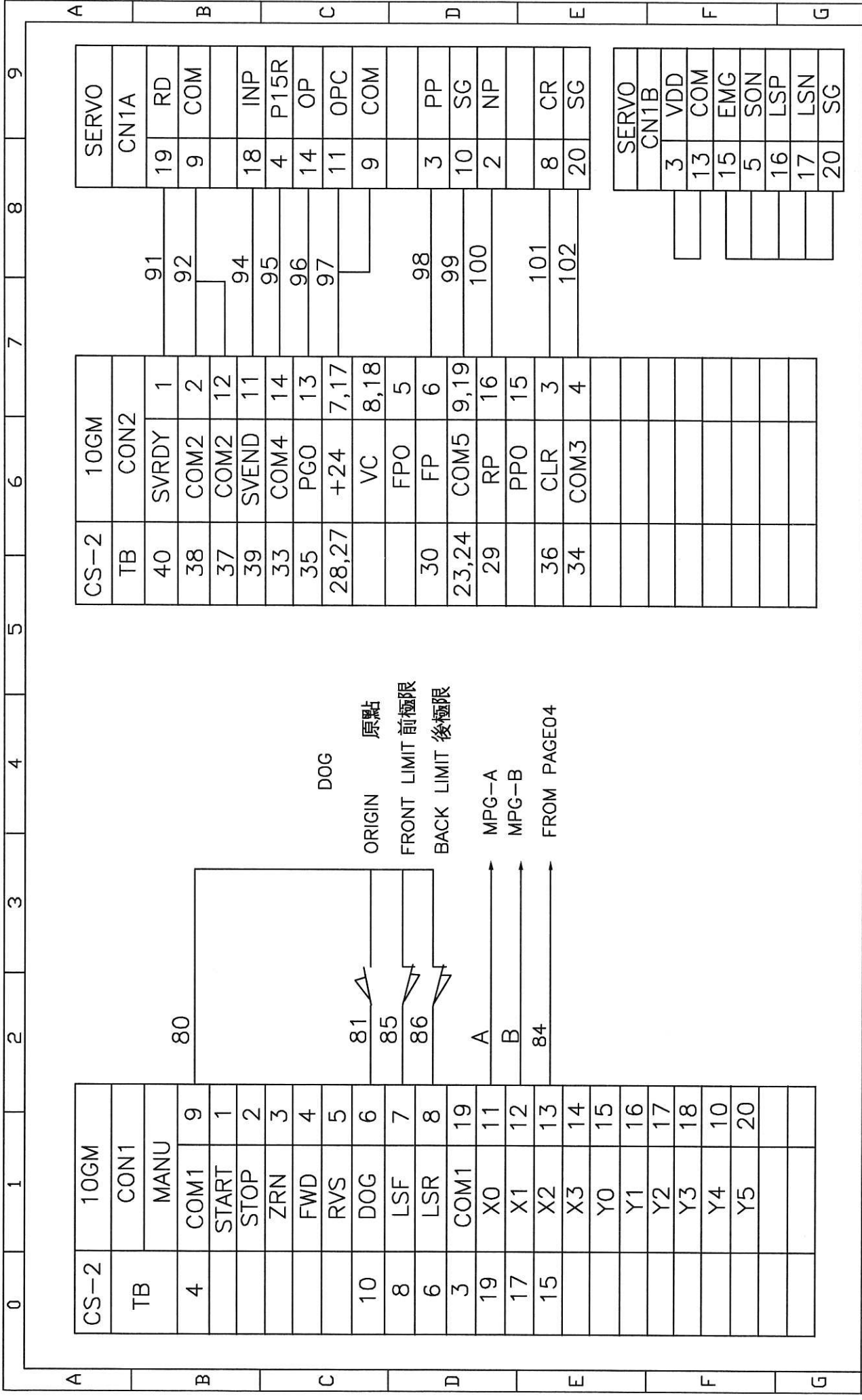


d	Modify	10	09	23	Approved	07	01	05	SHUN	SHARP	NC Type	AX2N-10GM	Machine:	OD-820	Drawing No.:	07
c					Checked	07	01	05	SHUN		PC ROM		Title:	MPG CIRCUIT		
b	Edition				Designed	07	01	05	SHUN							
a					Drawn	07	01	05	SHUN							

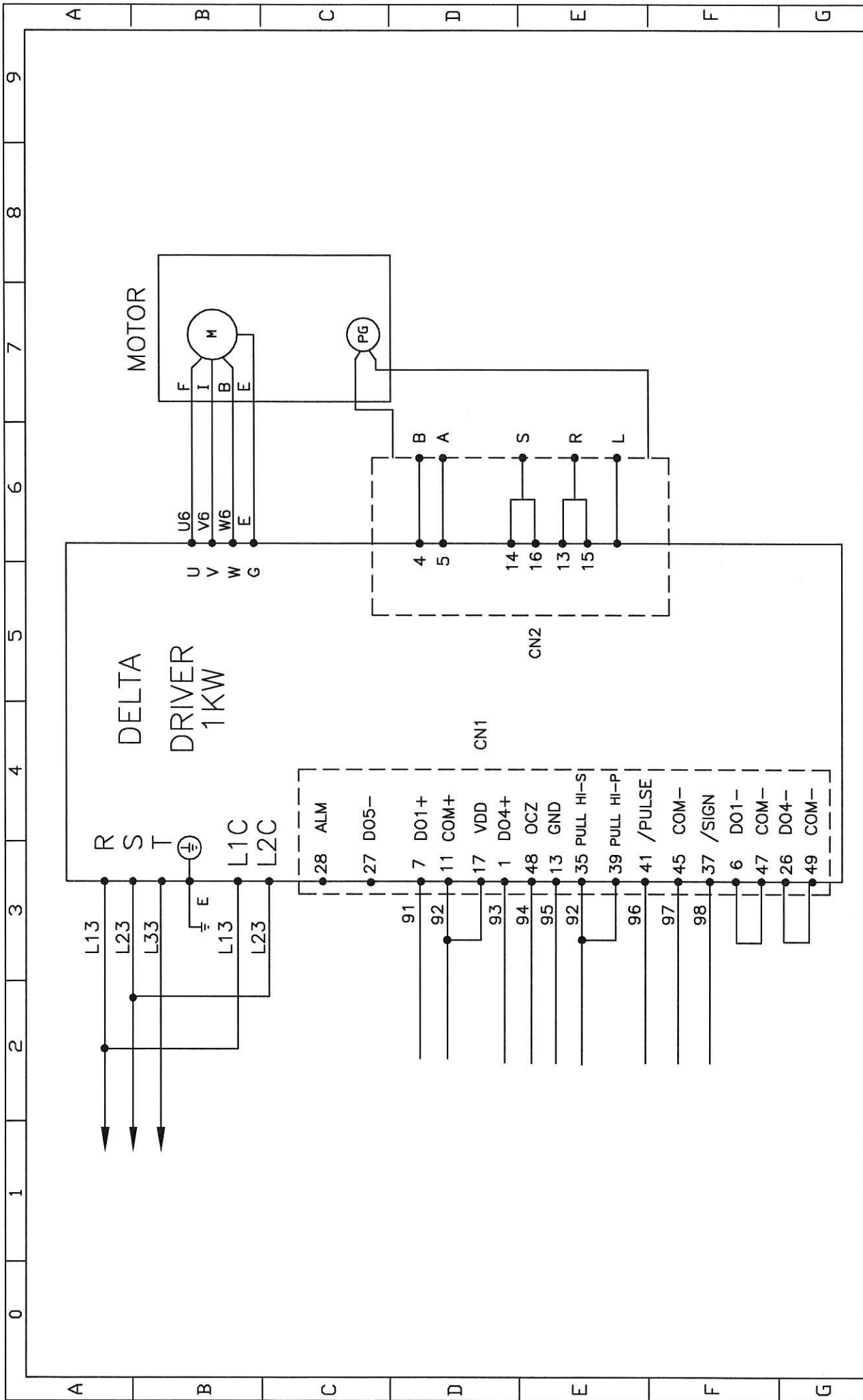


d	Modify	10	09	23	Approved	07	01	05	SHUN	Drawing No.: 08	
c					Checked	07	01	05	SHUN	MODEL:	OD-820
b	Edition				Designed	07	01	05	SHUN	NC Type	AX2N-10GM
a					Drawn	07	01	05	SHUN	RAJNROM	Title: X AXIS DRIVER

SHARP

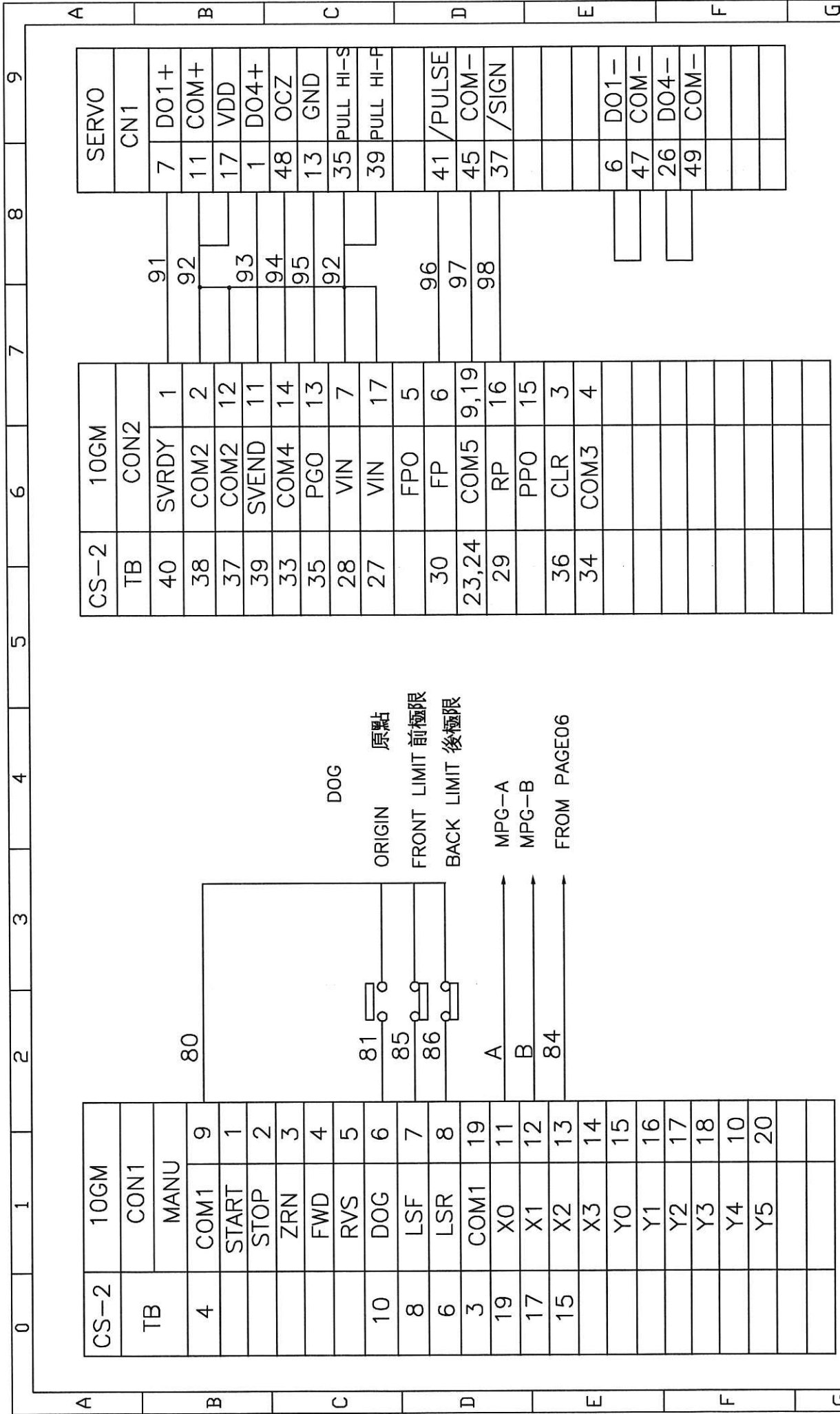


d	Modify	10_09_23	Approved	07_01_05	SHUN	SHARP	NC Type	AX2N-10GM	Machine:	OD-820	Drawing No.:	09
c		SHUN	Checked	07_01_05	SHUN		PC ROM		Title:	AX2N-10GM CRICUIT<MITSUBISHI>		
b	Edition		Designed	07_01_05	SHUN							
a			Drawn	07_01_05	SHUN							



d	Modify	10_09_23	Approved	07_01_05	SHUN
c		SHUN	Checked	07_01_05	SHUN
b	Edition		Designed	07_01_05	SHUN
a			Drawn	07_01_05	SHUN

SHARP		NC Type	AX2N-10GM	Machine:	OD-820	Drawing No.:	10
		MODEL		Title:	X AXIS DRIVER(DELTA)		



d	Modify	10	09	23	Approved	07	01	05	SHUN	SHARP	NC Type	AX2N-10GM	Machine:	OD-820	Drawing No.:	11	
c					Checked	07	01	05	SHUN		PC ROM		Title:	AX2N-10GM CRICUIT<DELTA>			
b	Edition				Designed	07	01	05	SHUN								
a					Drawn	07	01	05	SHUN								

SUPERTEC DOCUMENT NUMBER	ITEM DESIGNATION	DESIGNATION & FUNCTION	TECHNICAL DATA	QUANTITY	SUPPLIER	REMARKS
EFAC0020	NFB	CIRCUIT BREAKER	3P32A	1	MOELLER 3P	CE
EFAC0050	FA1	CIRCUIT BREAKER	1P6A	1	MOELLER 1P	CE
EFAC0050	FA2	CIRCUIT BREAKER	1P6A	1	MOELLER 1P	CE
EFAC0050	FA3	CIRCUIT BREAKER	1P6A	1	MOELLER 1P	CE
ESQP0170	DS	DOOR SWITCH	P1-25/V/SVB-SW	1	MOELLER	CE
ETRF0020	TM	TRANSFORMER	1 ϕ 400VA	1	SUENN LIANG	CE
ETRF	TM2	TRANSFORMER (OPTION)	3 ϕ 1.5KVA	1	SUENN LIANG	CE
ETRF	TM3	REACTOR	3 ϕ 2HP	1	SUENN LIANG	CE
EDRV0030	U2	SERVO MOTOR DRIVER	MR-J2S-100A	1	MITSUBISHI	CE
EPLC0120	U4	PLC CONTROLLER	AX2N-32MR	1	SHIHLIN	CE
EPLC0160	U5	PLC CONTROLLER	AXON-8EX	1	SHIHLIN	CE
EPLC0150	U6	PLC CONTROLLER	AX2N-10GM	1	SHIHLIN	CE
EDRV0890	I/O	TRANSFORM-MODULE	CS-2 I/O	1	SUPERTEC	
ESQP0100	SQ1	LIMIT SWITCH	ZC-N2255	1	OMRON	CE
ESQP0100	SQ2	LIMIT SWITCH	ZC-N2255	1	OMRON	CE
ESCR0060	DOG	LIMIT SWITCH	BNS-819-B03-D12-61-12-3B	1	BALLUFF	CE
EKMR0110	KA1	POWER	CN-11	1	TECO	CE
EKMR0340	KM1	WHEELHEAD	HND-16 5HP	1	TECO	CE
EKMR0110	KM2	WORKHEAD	CN-11	1	TECO	CE
EKMR0110	KM3	COOLANT	CN-11	1	TECO	CE
EKMR0110	KM4F	TABLE LEFT	CN-11	1	TECO	CE
EKMR0110	KM4R	TABLE RIGHT	CN-11	1	TECO	CE
EKMR0040	KM8	INTERNAC GRIND (OPTION)	HND-11 2HP	1	TECO	CE
EGSU0210	GS	POWER SUPPLY	NES-15-24	1	MEAN WEEL	CE

13

Drawing No.:

MODEL:
OD-820

Title: PARTS LIST

NC Type
AX2N-10GM

PC ROM

SHARP

SHUN

SHUN

SHUN

SHUN

SHUN

SHUN

SHUN

SHUN

SHUN

SHUN

SHUN

SHUN

d Modify 10_09_23

c

b Edition

a

Approved

Checked

Designed

Drawn

07_01_05

07_01_05

07_01_05

07_01_05

07_01_05

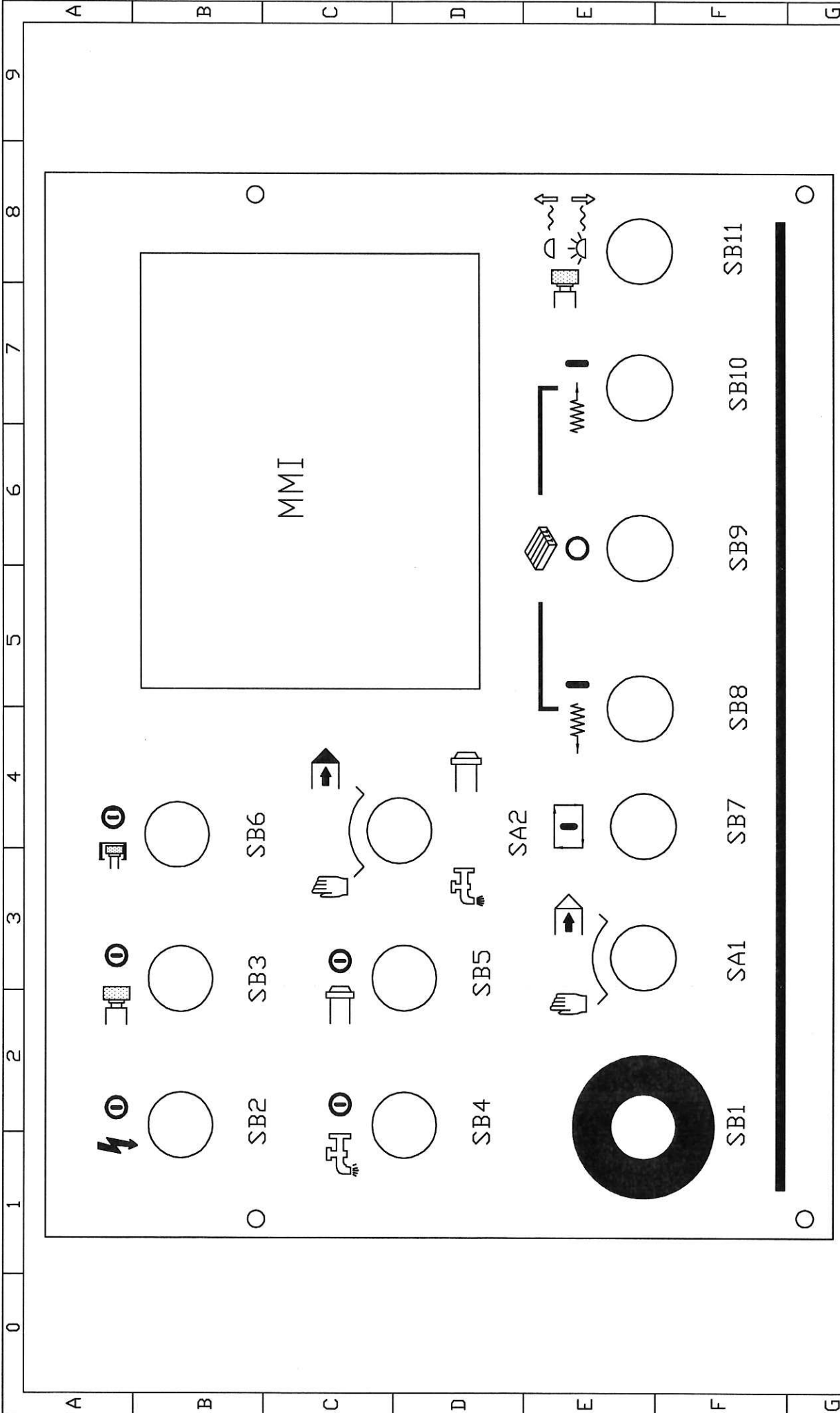
07_01_05

07_01_05

07_01_05

07_01_05

07_01_05



d	Modify	10_09_23	Approved	07_01_05	SHUN	SHARP		NC Type	AX2N-10GM	MODEL:	OD-820	Drawing No.:	14
c		SHUN	Checked	07_01_05	SHUN			PC ROM		Title: PANEL LAYOUT			
b	Edition		Designed	07_01_05	SHUN								
a			Drawn	07_01_05	SHUN								

9	8	7	6	5	4	3	2	1	0	A	B	C	D	E	F	G
										SUPERTEC DOCUMENT NUMBER	ITEM DESIGNATION	DESIGNATION & FUNCTION	TECHNICAL DATA	QUANTITY	SUPPLIER	REMARKS
										ESWP2490	SB1	E-STOP PUSH BUTTON	R2PNR4-1B-R	1	RENY	CE
										ESWP2430	SB2	MAIN POWER PUSH BUTTON	R2PIH-1A-R	1	RENY	CE
										ESWP2410	SB3	WHEELHEAD PUSH BUTTON	R2PIH-1A-G	1	RENY	CE
										ESWP2410	SB4	COOLANT PUSH BUTTON	R2PIH-1A-G	1	RENY	CE
										ESWP2410	SB5	WORKHEAD PUSH BUTTON	R2PIH-1A-G	1	RENY	CE
										ESWP2410	SB6	INTERNAC PUSH BUTTON	R2PIH-1A-G	1	RENY	CE
										ESWP2420	SB7	CYCLE START PUSH BUTTON	R2PIH-1A-W	1	RENY	CE
										ESWP2410	SB8	TABLE LEFT PUSH BUTTON	R2PIH-1A-G	1	RENY	CE
										ESWP2460	SB9	TABLE STOP PUSH BUTTON	R2PNF-1A-R	1	RENY	CE
										ESWP2410	SB10	TABLE RIGHT PUSH BUTTON	R2PIH-1A-G	1	RENY	CE
										ESWP2410	SB11	RAPID PUSH BUTTON (OPTION)	R2PNF-1A-G	1	RENY	CE
										ESWP2470	SA1	MODE SELECT SWITCH	R2SNS-2F-1A-B	1	RENY	CE
										ESWP2470	SA2	SPINDLE/COOLANT AUTO/MANUAL SELECT SWITCH	R2SNS-2F-1A-B	1	RENY	CE
										EMMI0120	MMI	TOUCH SCREEN	AX940GOT-BWP	1	SHIHLIN	CE

15	Drawing No.:	
d	Modify	10 09 23
c	Approved	07 01 05
b	Checked	07 01 05
a	Designed	07 01 05
	Drawn	07 01 05
SHARP		
NC Type		AX2N-10GM
PC ROM		
MODEL:		OD-820
Title:		PARTS LIST