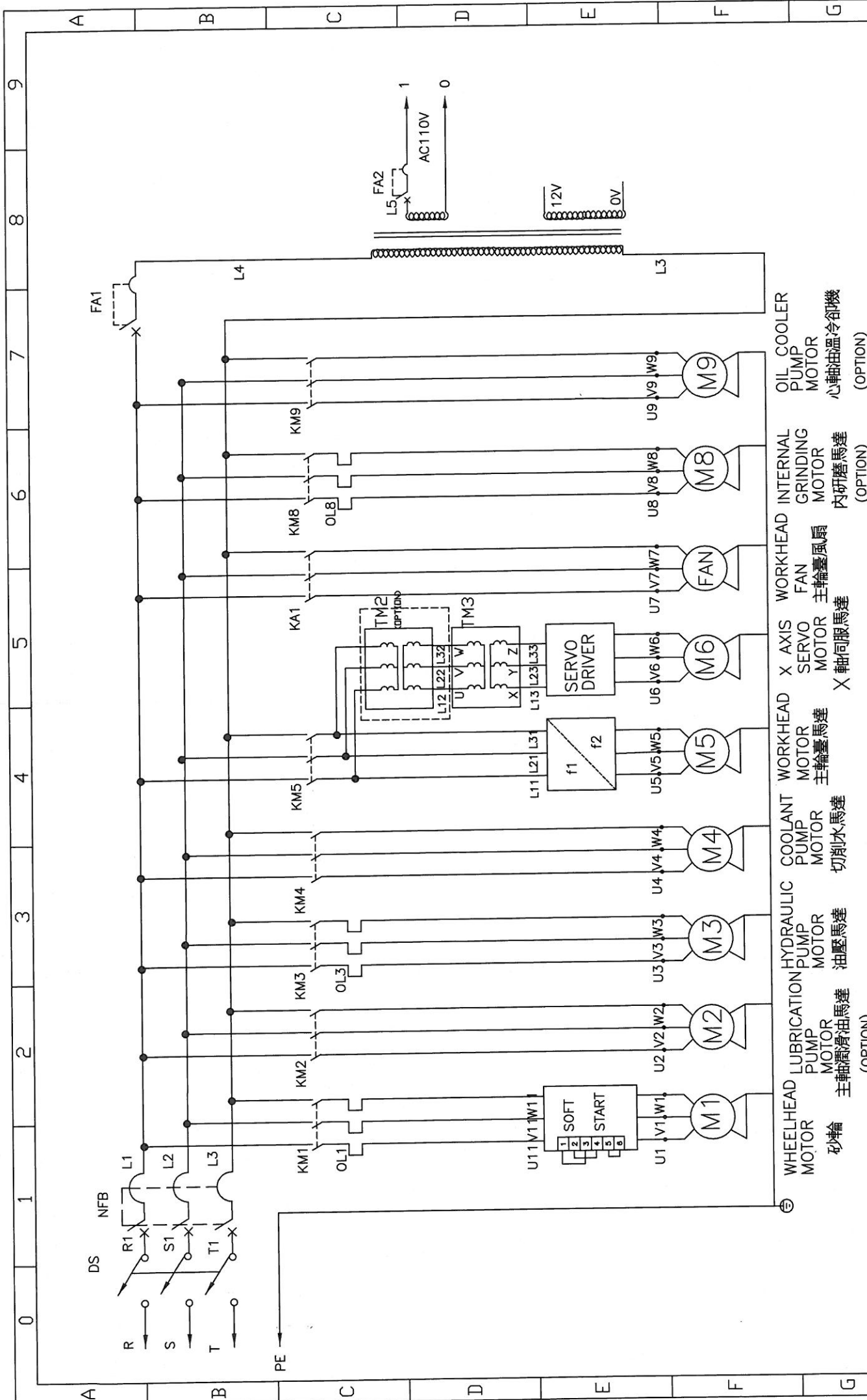


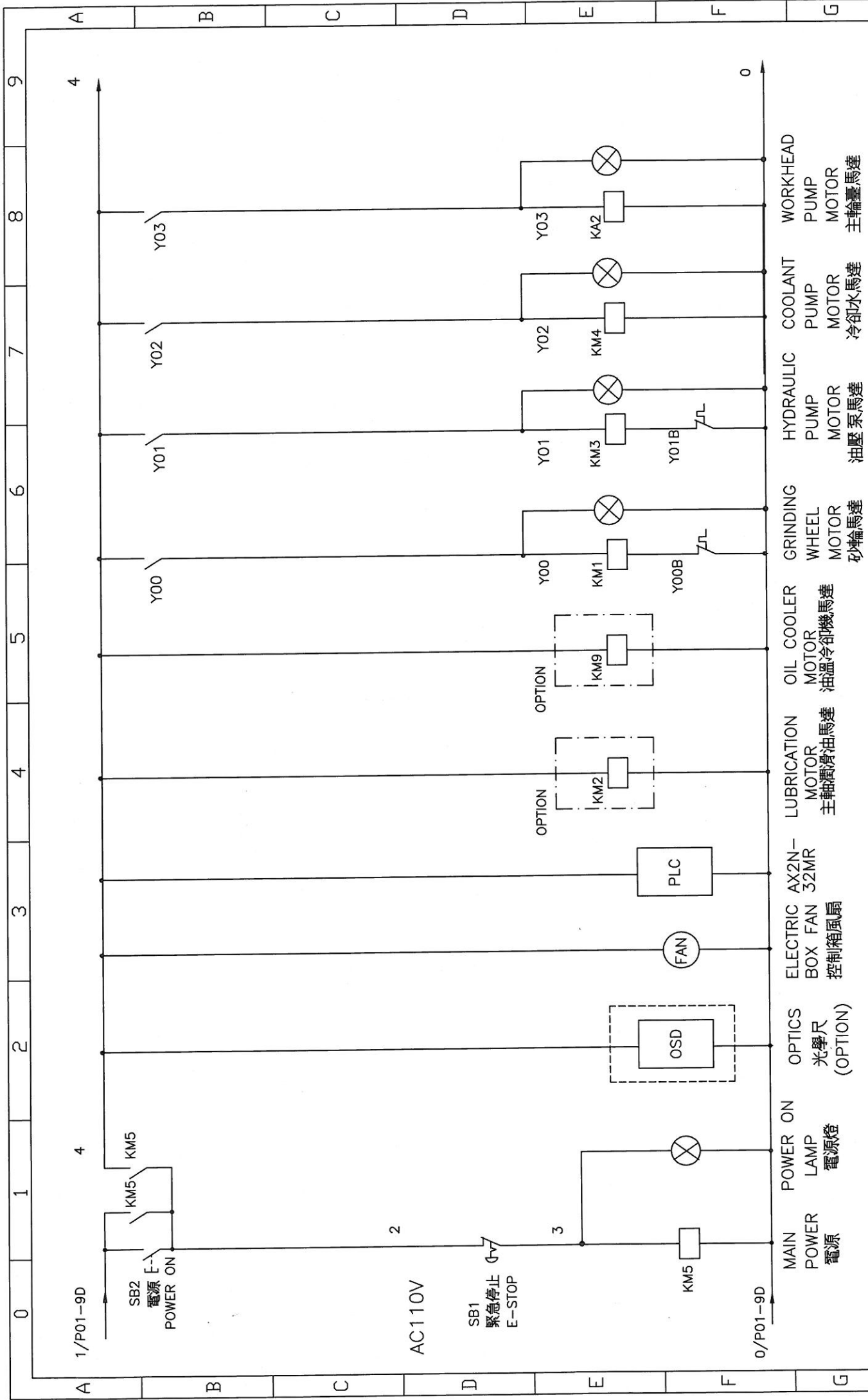
SHARP

OD-1324HE
Cylindrical Grinder
Electrical Manual

Sharp Industries, Inc.

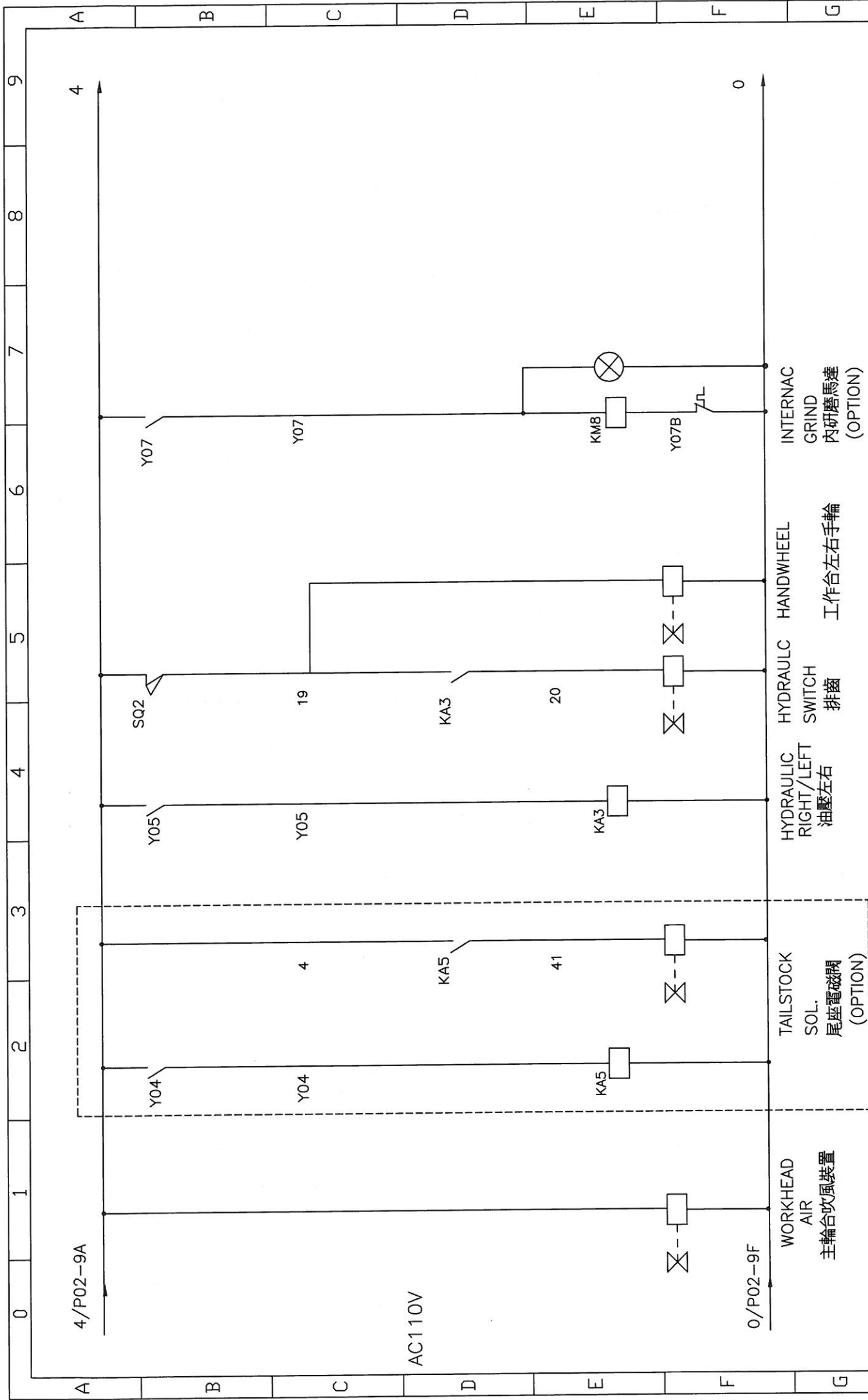


Drawing No.: 01	
MODEL: OD-SE	NC Type AX2N-10GM
Title: MOTOR CONTROL SYSTEM	
SHARP	
d Modify 17_05_31 Approved 08_12_18 SHUN	
c SHUN Checked 08_12_18 SHUN	
b Edition G3XP-XXXNC-04 Designed 08_12_18 SHUN	
a Drawn 08_12_18 SHUN	



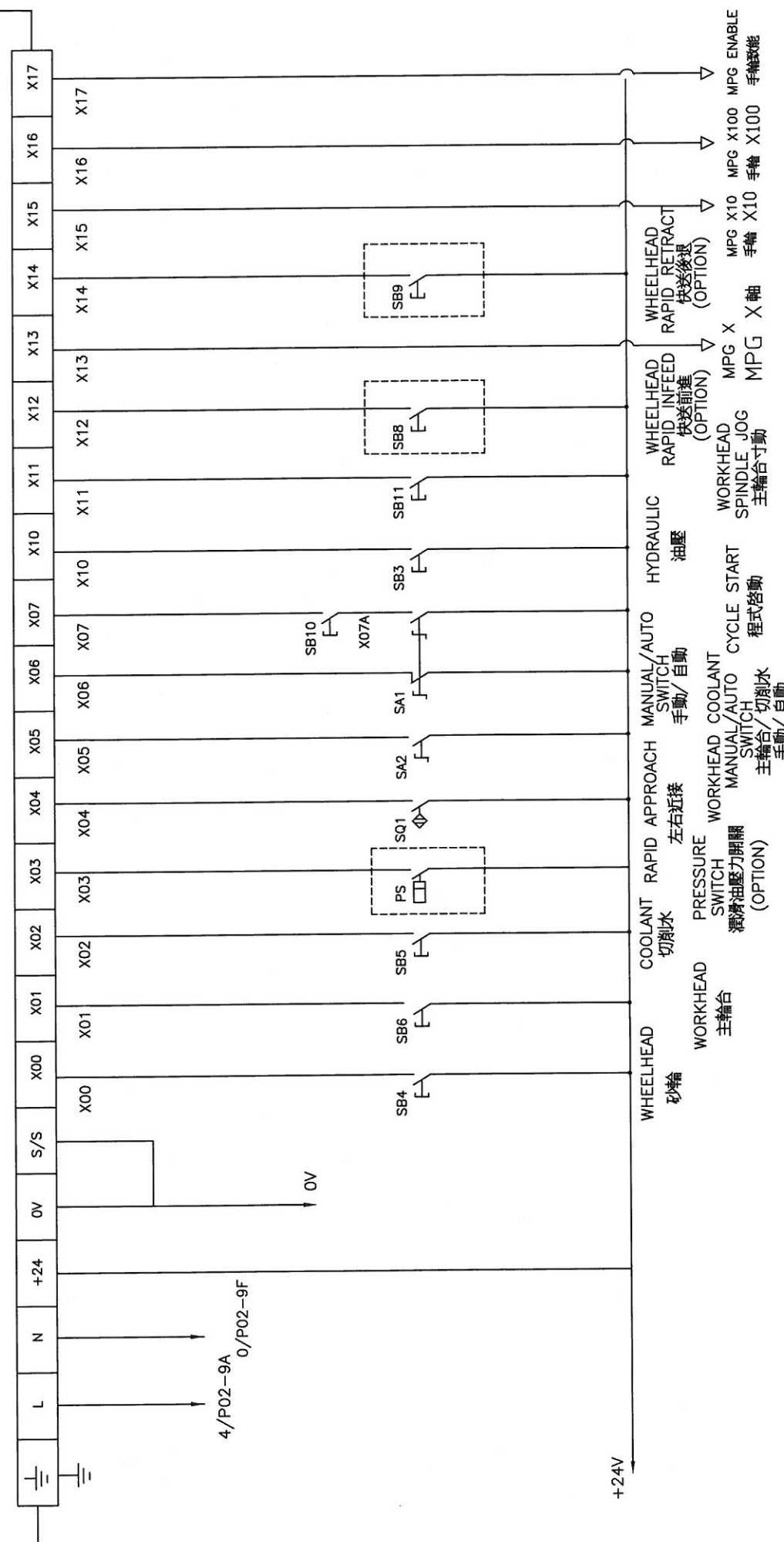
Drawing No.: 02	
MODEL: OD-SE	
NC Type AX2N-10GM	
PC ROM	
SHARP	
d Modify 17 05 31 Approved 08 12 18 SHUN	
c SHUN 08 12 18 SHUN	
b Edition G3XP-XXXNC-04 Designed 08 12 18 SHUN	
a Drawn 08 12 18 SHUN	

Title: CONTROL CIRCUIT

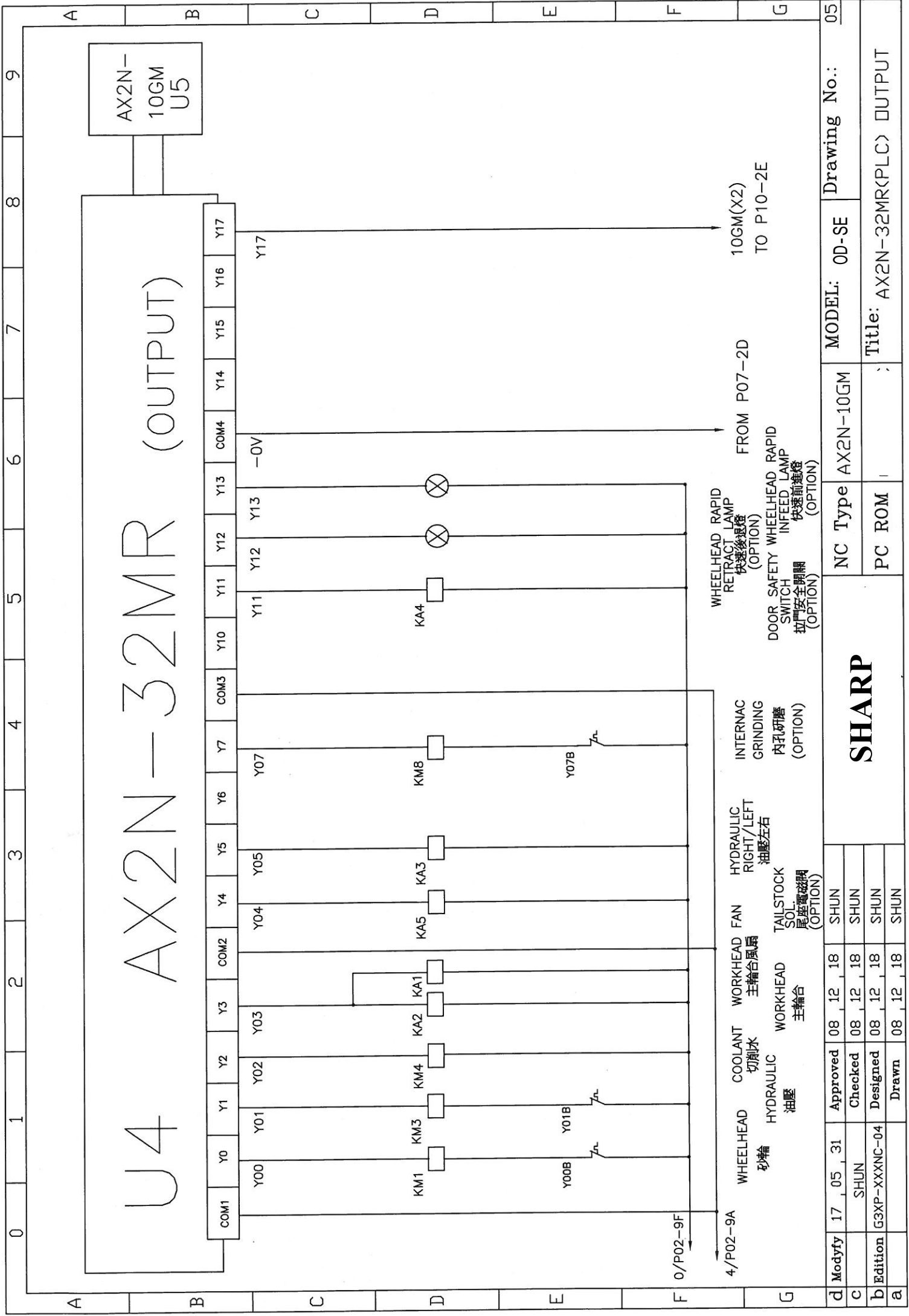


d	Modify	17	05	31	Approved	08	12	18	SHUN	SHARP	NC Type	AX2N-10GM	MODEL:	0D-SE	Drawing No.:	03
	c				Checked	08	12	18	SHUN			PC ROM				Title:
b	Edition	G3XP-XXXNC-04			Designed	08	12	18	SHUN							
a					Drawn	08	12	18	SHUN							

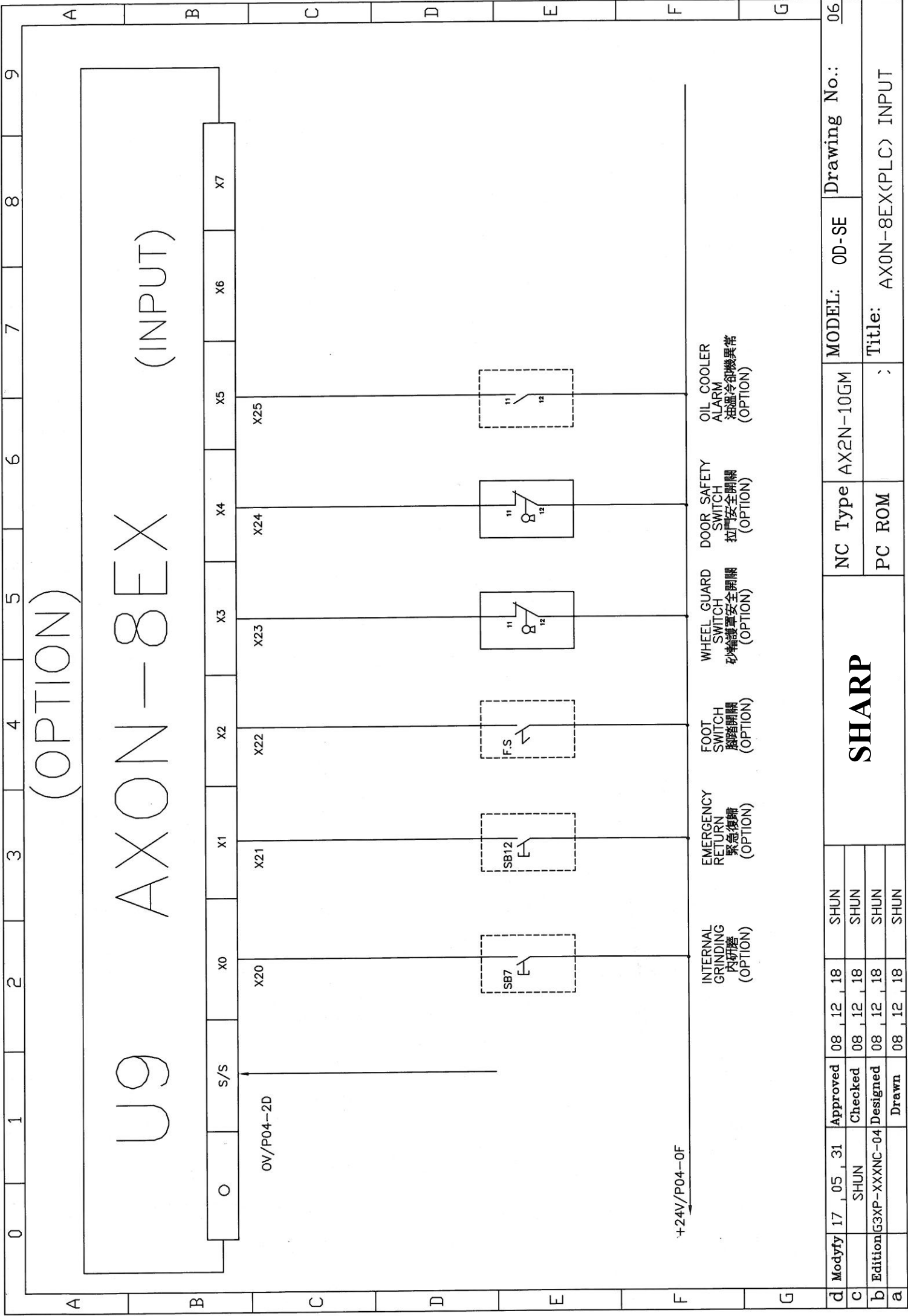
U4 AX2N-32MR (INPUT)



d	Modyfy	17	05	31	Approved	08	12	18	SHUN			MODEL: 0D-SE	Drawing No.: 04
c					Checked	08	12	18	SHUN				
b					Designed	08	12	18	SHUN				
a					Drawn	08	12	18	SHUN				
SHARP											NC Type	AX2N-10GM	
SHARP											PC ROM		
SHARP											Title: AX2N-32MR(PLC) INPUT		



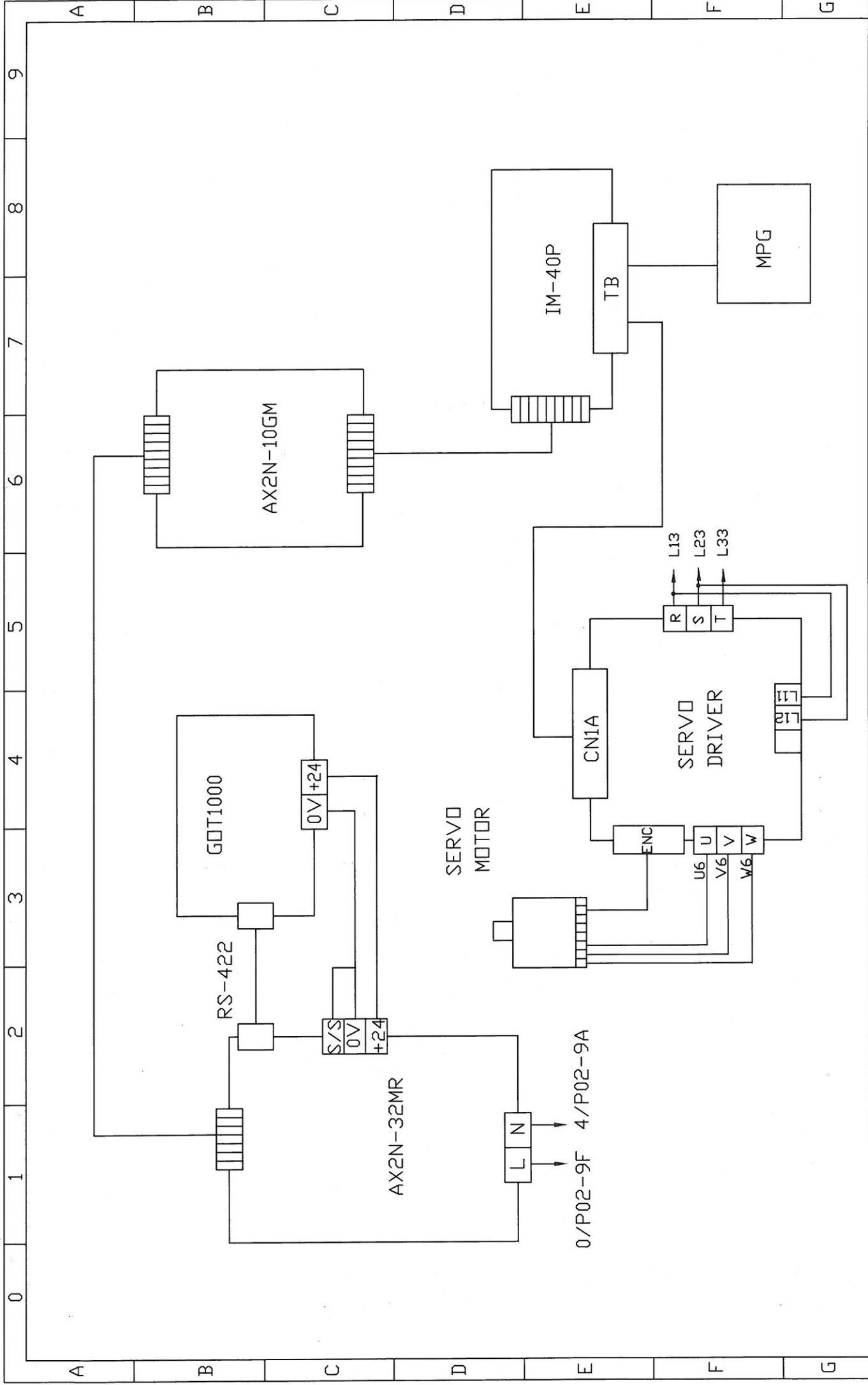
d	Modify	17	05	31	Approved	08	12	18	SHUN	SHARP	NC Type	AX2N-10GM	MODEL:	0D-SE	Drawing No.:	05
c					Checked	08	12	18	SHUN		PC ROM					
b	Edition	G3XP-XXXNC-04			Designed	08	12	18	SHUN							
a					Drawn	08	12	18	SHUN							



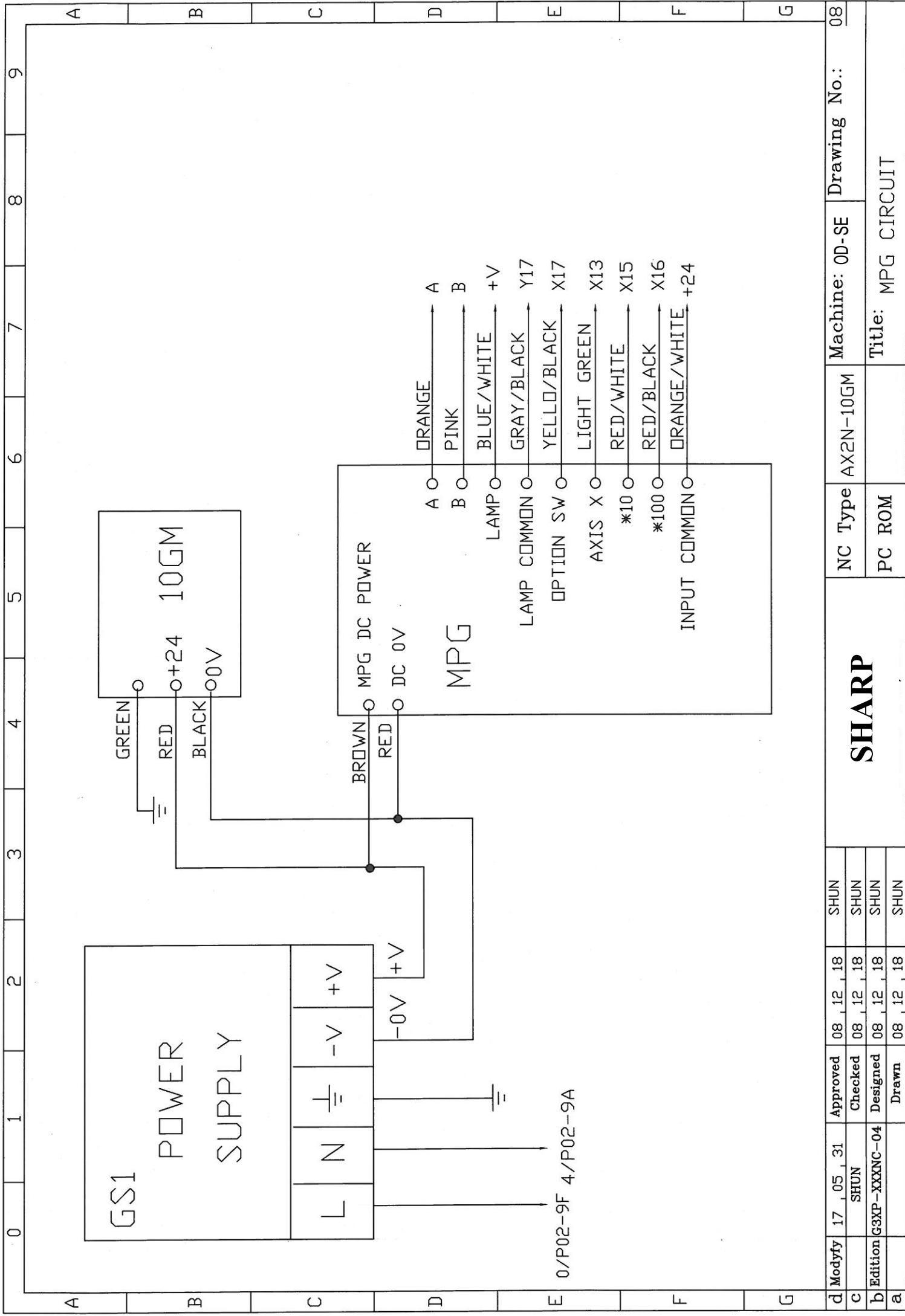
d	Modify	17	05	31	Approved	08	12	18	SHUN
c			SHUN		Checked	08	12	18	SHUN
b	Edition	G3XP	-	XXXNC-04	Designed	08	12	18	SHUN
a				Drawn		08	12	18	SHUN

NC Type	AX2N-10GM	MODEL:	0D-SE	Drawing No.:	06
PC ROM	:	Title:	AX0N-8EX<PLC> INPUT		

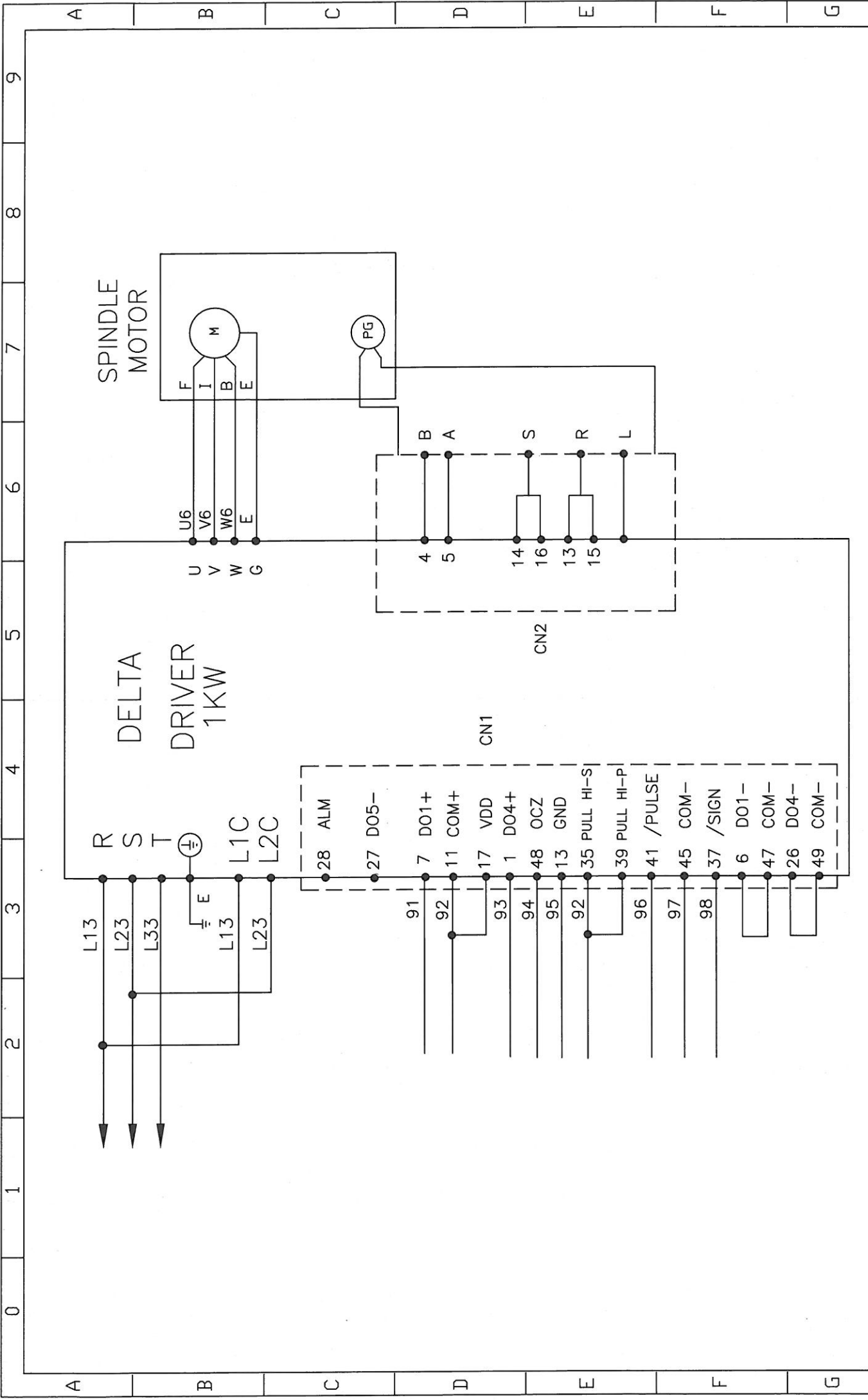
SHARP



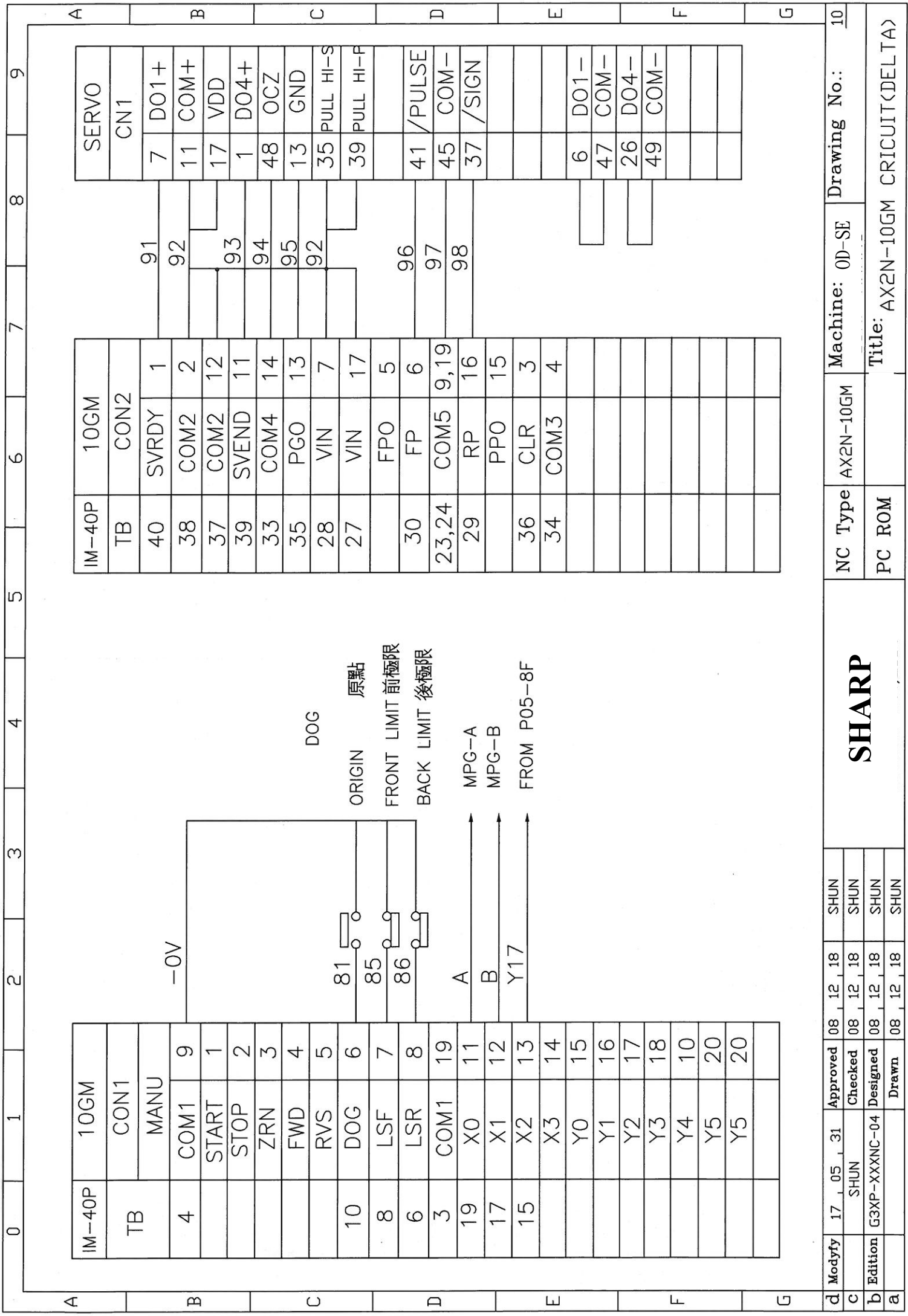
d	Modify	17	05	31	Approved	08	12	18	SHUN	SHARP	PC ROM	NC Type AX2N-10GM	MODEL: 0D-SE	Drawing No.: 07
c					Checked	08	12	18	SHUN					
b	Edition	G3XP-XXXNC-04			Designed	08	12	18	SHUN					
a					Drawn	08	12	18	SHUN					
											Title: DRIVER LAYOUT			



d	Modify	17	05	31	Approved	08	12	18	SHUN	SHARP	NC Type	AX2N-10GM	Machine: 0D-SE	Drawing No.: 08
c					Checked	08	12	18	SHUN		PC ROM		Title: MPG CIRCUIT	
b	Edition	G3XP-XXXNC-04			Designed	08	12	18	SHUN					
a					Drawn	08	12	18	SHUN					



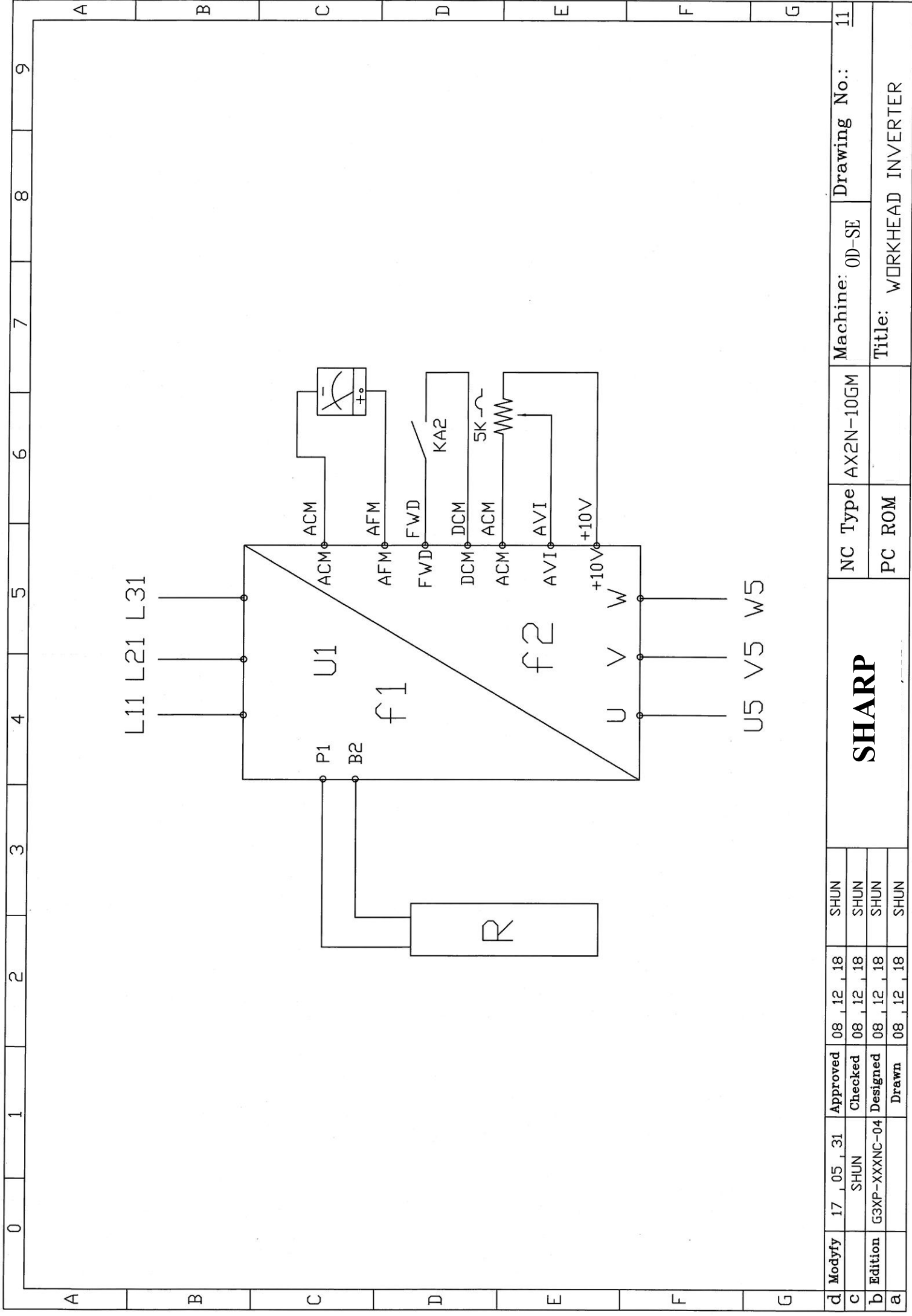
d	Modify	17, 05, 31	Approved	08, 12, 18	SHUN	SHARP	NC Type	AX2N-10GM	Machine:	0D-SE	Drawing No.:	09
c		SHUN	Checked	08, 12, 18	SHUN		MODEL		Title:	X AXIS DRIVER(Delta)		
b	Edition	G3XP-XXXNC-04	Designed	08, 12, 18	SHUN							
a			Drawn	08, 12, 18	SHUN							



IM-40P	10GM	SERVO
TB	CON2	CN1
40	SVRDY 1	7 DO1+
38	COM2 2	11 COM+
37	COM2 12	17 VDD
39	SVEND 11	1 DO4+
33	COM4 14	48 OCZ
35	PGO 13	13 GND
28	VIN 7	35 PULL HI-S
27	VIN 17	39 PULL HI-F
30	FPO 5	41 /PULSE
23,24	FP 6	45 COM-
29	COM5 9,19	37 /SIGN
	RP 16	
	PPO 15	
36	CLR 3	6 DO1-
34	COM3 4	47 COM-
		26 DO4-
		49 COM-

d	Modify	17	05	31	Approved	08	12	18	SHUN	Machine: 0D-SE	Drawing No.: 10
c					Checked	08	12	18	SHUN		
b	Edition	G3XP-XXXNC-04			Designed	08	12	18	SHUN	Title: AX2N-10GM CRICUIT<DELTA>	
a					Drawn	08	12	18	SHUN		

SHARP

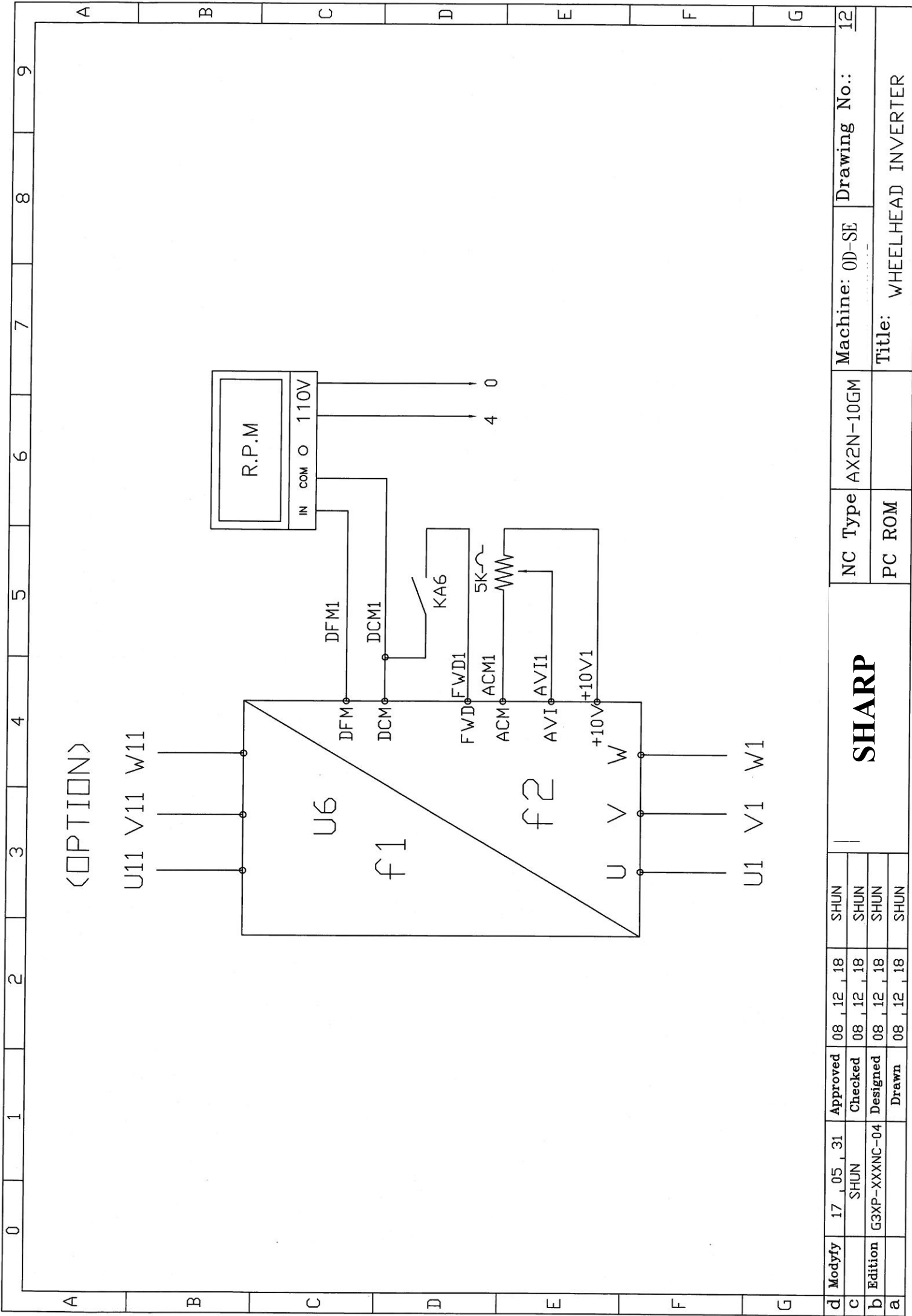


A B C D E F G 11

9 8 7 6 5 4 3 2 1 0

A B C D E F G

d	Modify	17	05	31	Approved	08	12	18	SHUN	SHARP	NC Type	AX2N-10GM	Machine:	OD-SE	Drawing No.:	11	
c					Checked	08	12	18	SHUN		PC ROM		Title:	WORKHEAD INVERTER			
b	Edition	G3XP-XXXNC-04			Designed	08	12	18	SHUN								
a					Drawn	08	12	18	SHUN								



<OPTION>

U11 V11 W11

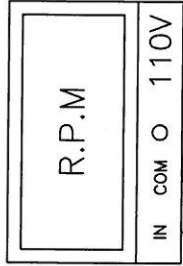
U6

f1

f2

U V W

U1 V1 W1



DFM1

DCM1

FWD1

ACM1

AVI1

+10V1

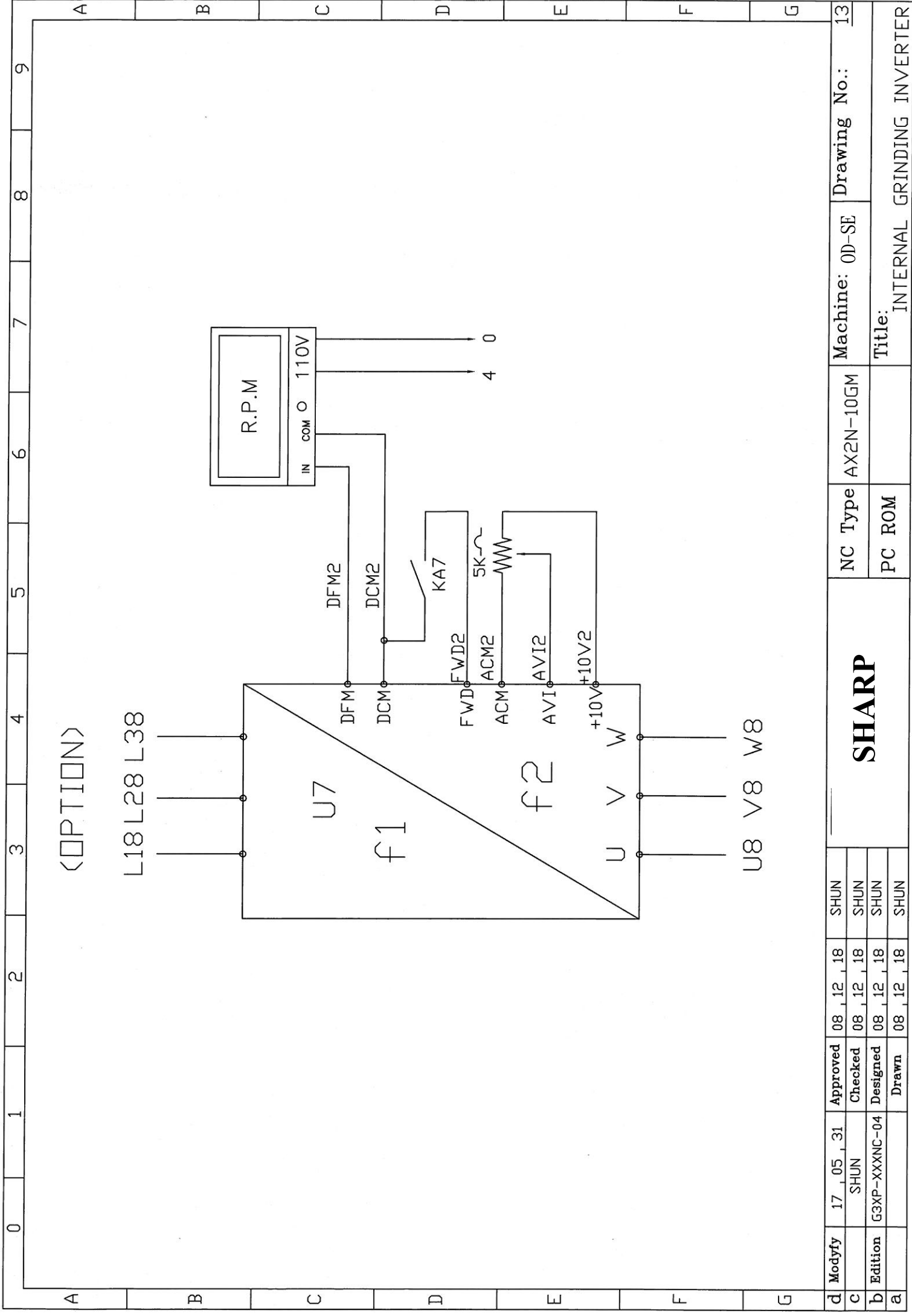
+10V2

+10V3

KA6

5K

d	Modfy	17_05_31	Approved	08_12_18	SHUN
c		SHUN	Checked	08_12_18	SHUN
b	Edition	G3XP-XXXNC-04	Designed	08_12_18	SHUN
a			Drawn	08_12_18	SHUN
		SHARP		NC Type	AX2N-10GM
				Machine:	0D-SE
				Drawing No.:	12
				Title: WHEELHEAD INVERTER	



<OPTION>

L18 L28 L38

U7

f1

f2

U

V

W

U8 V8 W8

R.P.M

IN COM O 110V

DFM2

DCM2

KA7

5K

FWD2

ACM2

AVI2

+10V2

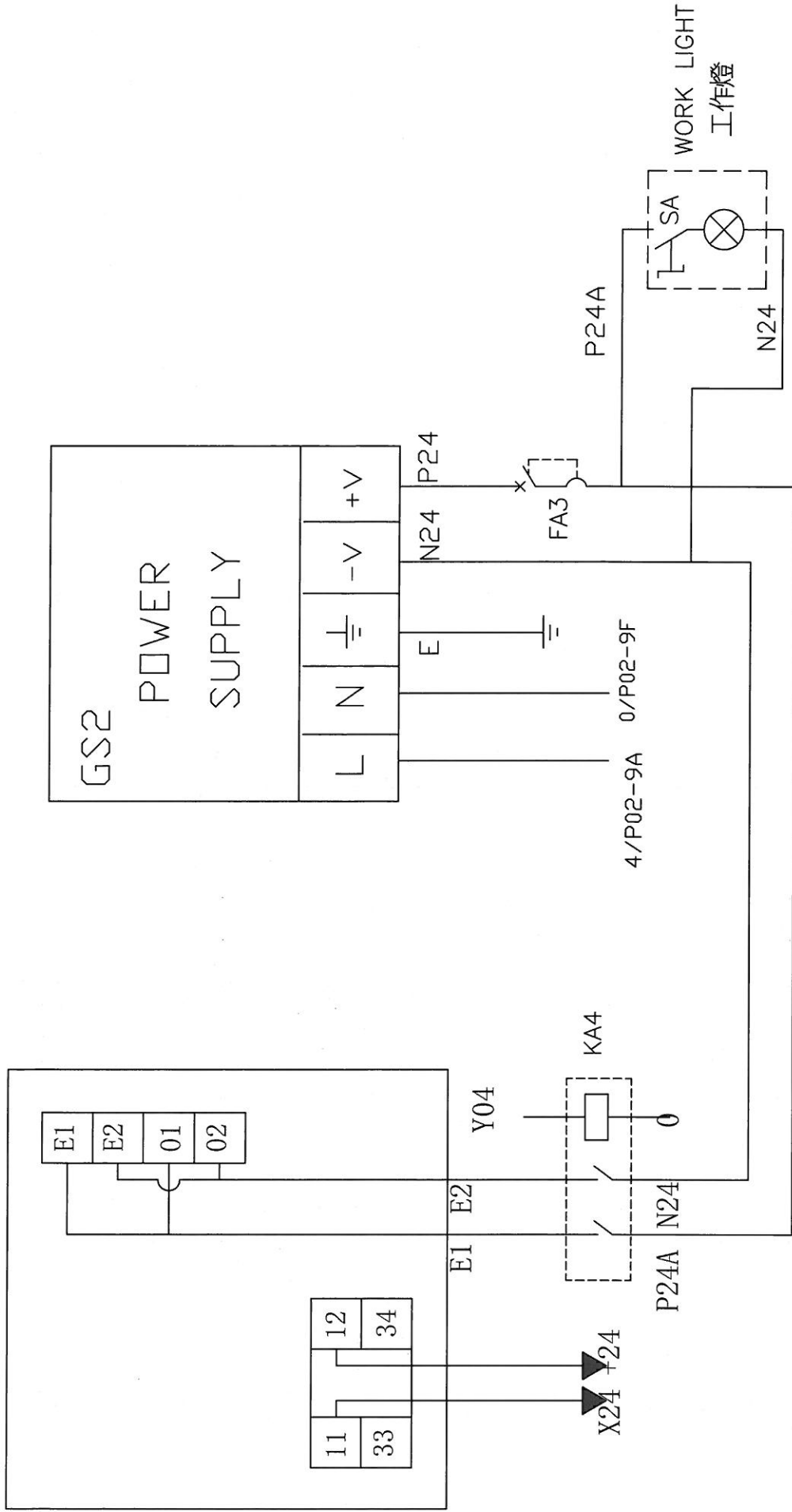
+10V

4 0

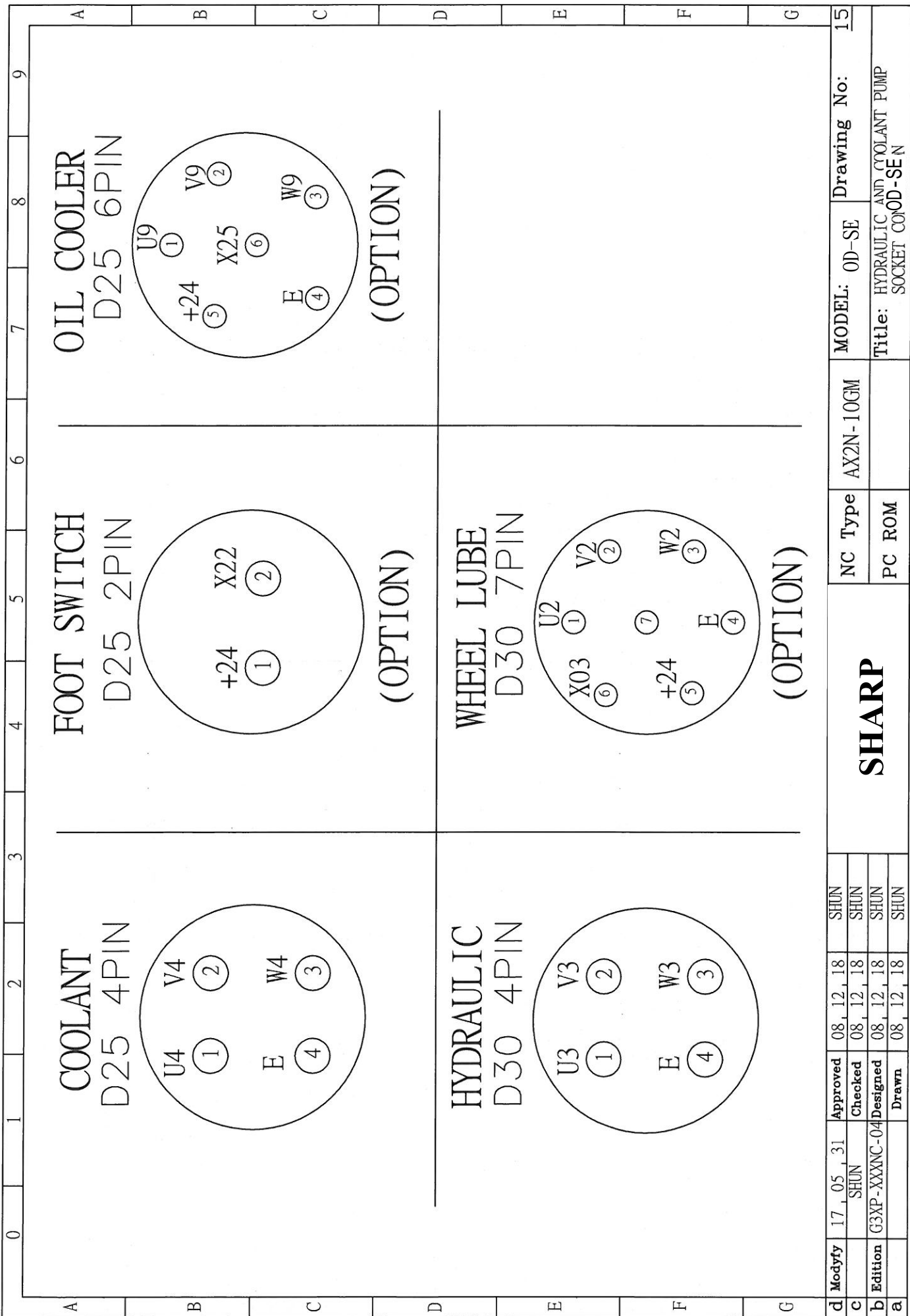
d	Modify	17_05_31	Approved	08_12_18	SHUN
c		SHUN	Checked	08_12_18	SHUN
b	Edition	G3XP-XXXNC-04	Designed	08_12_18	SHUN
a			Drawn	08_12_18	SHUN

NC Type	AX2N-10GM	Machine: OD-SE	Drawing No.: 13
PC ROM		Title: INTERNAL GRINDING INVERTER	

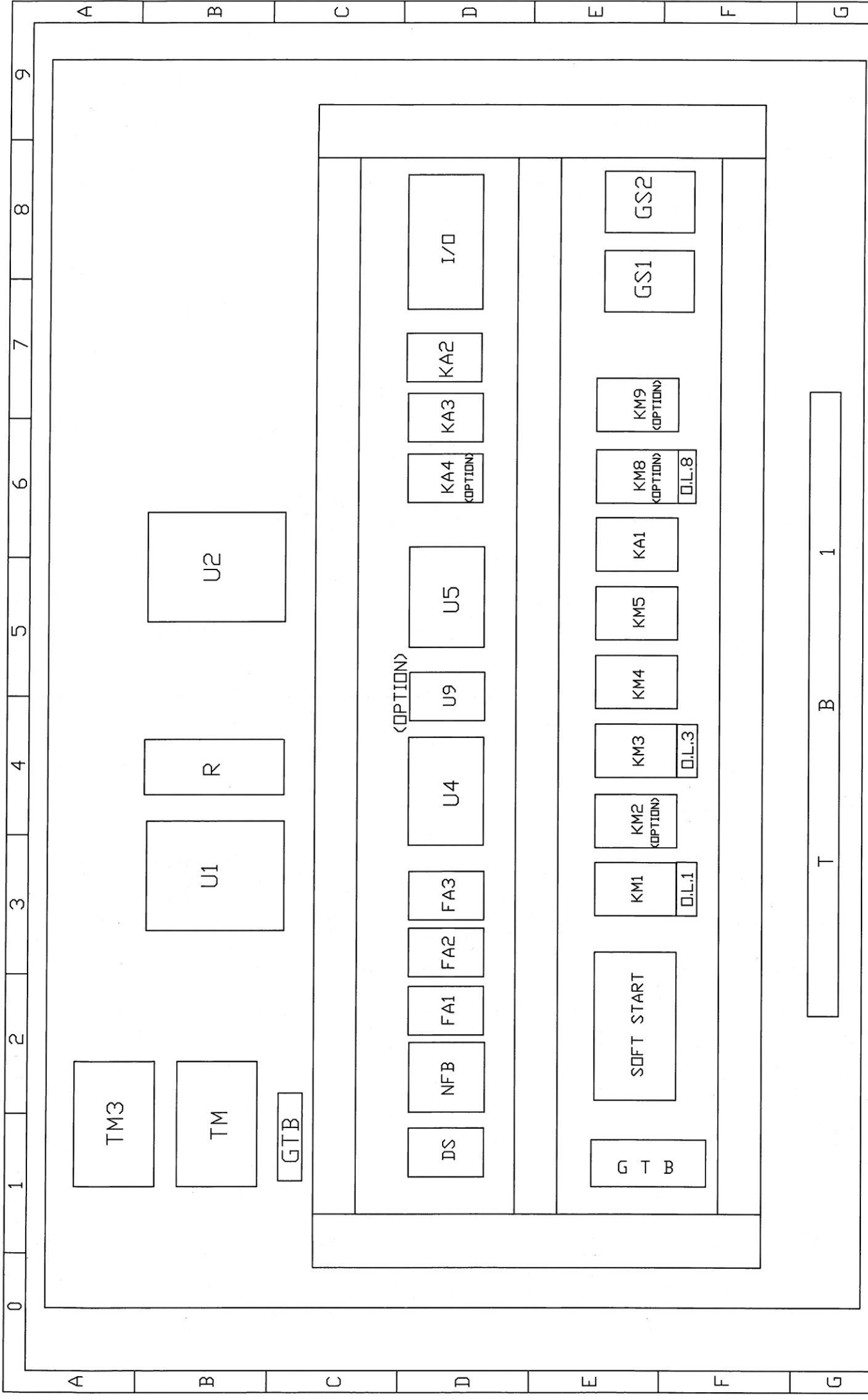
D4NL-1AFA-B 安全開關



d	Modify	17_05_31	Approved	13_06_12	L.Ming	SHARP	NC Type FX2N-20GM	Machine: OD-SE	Drawing No.: 14		
c		SHUN	Checked	13_06_12	L.Ming						
b	Edition	G3XP-XXXNC-04	Designed	13_06_12	L.Ming					PC ROM	Title: D4NL-1AFA-B & WORK LIGHT
a			Drawn	13_06_12	L.Ming						



d Modyfy	17_05_31	Approved	08_12_18	SHUN	SHARP	NC Type	AX2N-10GM	MODEL: OD-SE	Drawing No: 15
c	SHUN	Checked	08_12_18	SHUN					
b Edition	G3XP-XXXNC-04	Designed	08_12_18	SHUN	Title: HYDRAULIC AND COOLANT PUMP SOCKET CONOD-SE N	PC ROM			
a		Drawn	08_12_18	SHUN					



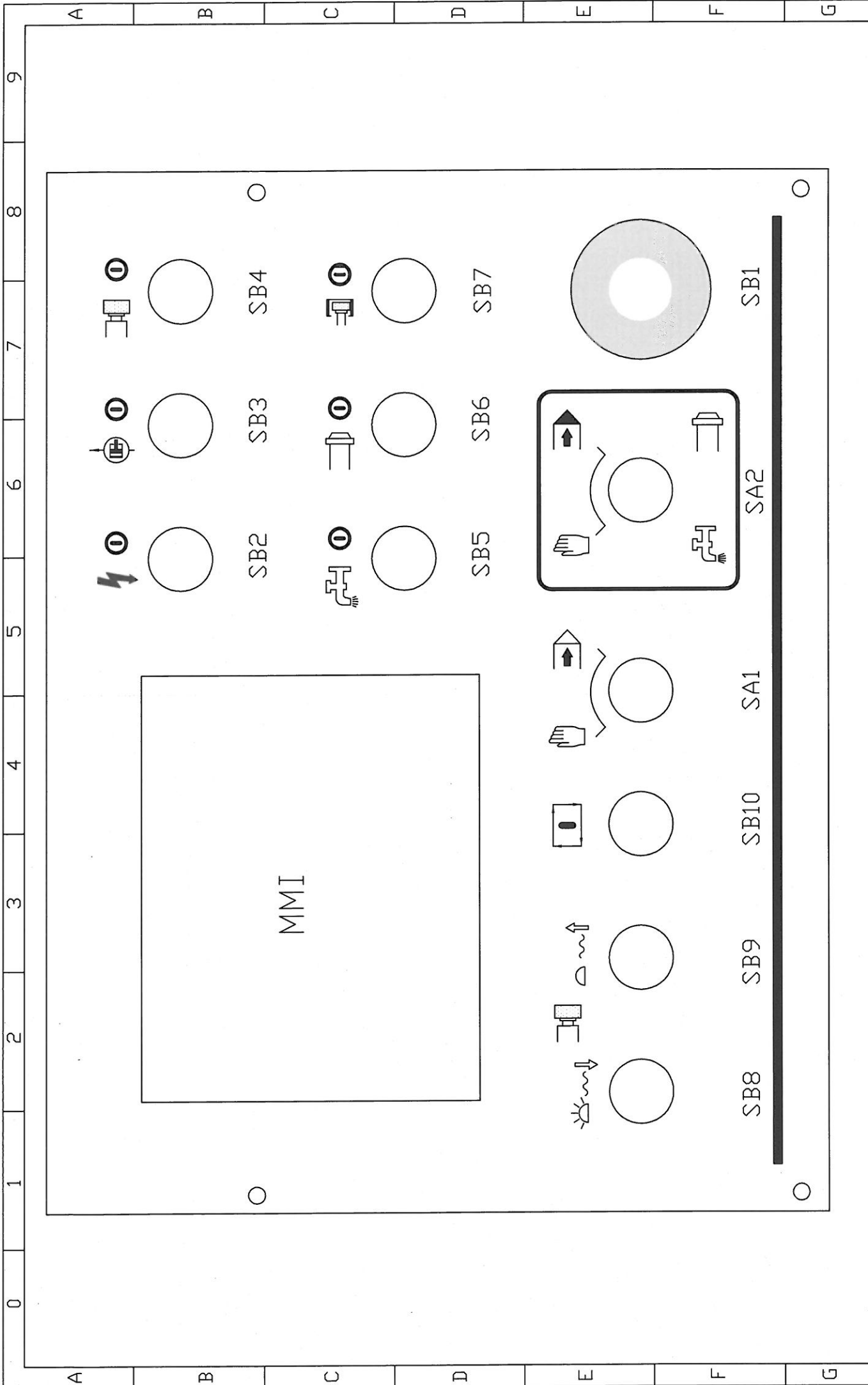
d	Modify	17	05	31	Approved	08	12	18	SHUN	SHARP	NC Type AX2N-10GM	MODEL: OD-SE	Drawing No.: 16
c					Checked	08	12	18	SHUN				
b	Edition	G3XP-XXXXNC-04			Designed	08	12	18	SHUN				
a					Drawn	08	12	18	SHUN				

Title: LAYOUT

A	B	C	D	E	F	G	
	SUPERTEC DOCUMENT NUMBER	ITEM DESIGN- NATION	DESIGNATION & FUNCTION	TECHNICAL DATA	QUAN- TITY	SUPPLIER	REMARKS
9	EFAC0010	NFB	CIRCUIT BREAKER	3P50A	1	MOELLER 3P	CE
8	EFAC0050	FA1	CIRCUIT BREAKER	1P6A	1	MOELLER 1P	CE
	EFAC0050	FA2	CIRCUIT BREAKER	1P6A	1	MOELLER 1P	CE
	EFAC0050	FA3	CIRCUIT BREAKER	1P6A	1	MOELLER 1P	CE
7	ESQP0180	DS	DOOR SWITCH	P1-32/V/SVB -SW	1	MOELLER	CE
	ETRF0020	TM	TRANSFORMER	1∅ 400VA	1	SUENN LIANG	CE
	ETRF	TM2	TRANSFORMER (OPTION)	3∅ 1.5KVA	1	SUENN LIANG	CE
	ETRF	TM3	REACTOR	3∅ 2HP	1	SUENN LIANG	CE
6	EIVT0150	U1	INVERTER	VFD015B23A	1	DELTA	CE
	EREG0620	R	RESISTANCE	300W 100 Ω	1	DELTA	CE
	EDRV0030	U2	SERVO MOTOR DRIVER	MR-J2S-100A	1	mitsubishi	CE
	EPLC0120	U4	PLC CONTROLLER	AX2N-32MR	1	SHIHLIN	CE
5	EPLC0150	U5	PLC CONTROLLER	AX2N-10GM	1	SHIHLIN	CE
	ESSR0010	SOFT START	MOTOR CONTROLLER	220V 7.5HP	1	JK	CE
	EDRV0760	I/O	TRANSFORM- MODULE	CS-2 I/O	1	SUPERTEC	
4	EKMR0110	KA1	WORKHEAD FAN	CN-11	1	TECO	CE
	EKAR0190	KA2	RELAY<AC 110V> CONTROL	5A 250VAC	1	OMRON MY4N	CE
	EKAR0190	KA3	RELAY<AC 110V> CONTROL	5A 250VAC	1	OMRON MY4N	CE
3	ESQP0480	SQ1	PROXIMITY SWITCH	BES M12M1 -PSC40B-S04G	1	BALLUFF	CE
	ESQP0120	SQ2	LIMIT SWITCH	MJ2-1306	1	MOJEN	CE
2	ESCR0060	DOG	LIMIT SWITCH	BNS-819-B03 -D12-61-12-3B	1	BALLUFF	CE
1	EKMR0010	KM1	WHEEL	HND-18 7.5HP	1	TECO	CE
	EKMR0110	KM2	LUBRICATION (OPTION)	CN-11	1	TECO	CE
	EKMR0040	KM3	HYDRAULIC	HND-11 2HP	1	TECO	CE
	EKMR0110	KM4	COOLANT	CN-11	1	TECO	CE
	EKMR0110	KM5	POWER	CN-11	1	TECO	CE
0	EKMR0040	KM8	INTERNAC GRIND (OPTION)	HND-11 2HP	1	TECO	CE
	EGSU0210	GS	POWER SUPPLY	NES-15-24	1	MEAN WEEL	CE

Drawing No.: 17	
MODEL: OD-SE	
AX2N-10GM	
NC Type	PC ROM
SHARP	
08 12 18	SHUN
08 12 18	SHUN
08 12 18	SHUN
08 12 18	SHUN
Approved	SHUN
Checked	SHUN
Designed	G3XP-XXXNC-04
Drawn	
17 05 31	
Modfy	
d	
c	
b	
a	

Title: ELECTRICAL CABINET LIST



d	Modify	17	05	31	Approved	08	12	18	SHUN	SHARP	NC Type	AX2N-10GM	MODEL:	0D-SE	Drawing No.:	18	
c					Checked	08	12	18	SHUN								
b	Edition	G3XP-XXNC-04			Designed	08	12	18	SHUN	Title:	PANEL	LAYOUT					
a					Drawn	08	12	18	SHUN								

A		B		C		D		E		F		G	
9		8		7		6		5		4		3	
0		1		2		3		4		5		6	
A		B		C		D		E		F		G	
SUPERTEC DOCUMENT NUMBER		ITEM DESIGNATION		DESIGNATION & FUNCTION		TECHNICAL DATA		QUANTITY		SUPPLIER		REMARKS	
ESWP2490		SB1		E-STOP PUSH BUTTON		R2PNR4-1B-R		1		RENY		CE	
ESWP2430		SB2		MAIN POWER PUSH BUTTON		R2PIH-1A-R		1		RENY		CE	
ESWP2410		SB3		HYDRAULC PUSH BUTTON		R2PIH-1A-G		1		RENY		CE	
ESWP2410		SB4		WHEELHEAD PUSH BUTTON		R2PIH-1A-G		1		RENY		CE	
ESWP2410		SB5		COOLANT PUSH BUTTON		R2PIH-1A-R		1		RENY		CE	
ESWP2410		SB6		WORKHEAD PUSH BUTTON		R2PIH-1A-G		1		RENY		CE	
ESWP2410		SB7		INTERNAC PUSH BUTTON		R2PIH-1A-G		1		RENY		CE	
ESWP2410		SB8		RAPID INFEED PUSH BUTTON		R2PNF-1A-G		1		RENY		CE	
ESWP2410		SB9		RAPID RETRACT PUSH BUTTON		R2PNF-1A-G		1		RENY		CE	
ESWP2420		SB10		CYCLE START PUSH BUTTON		R2PIH-1A-W		1		RENY		CE	
ESWP2470		SA1		MODE SELECT SWITCH		R2SNS-2F-1A-B		1		RENY		CE	
ESWP2470		SA2		SPINDLE/COOLANT AUTO/MANUAL SELECT SWITCH		R2SNS-2F-1A-B		1		RENY		CE	
ESWP2580		SB11		WORKHEAD SPINDLE JOG PUSH BUTTON		R2PNF-1A-B		1		RENY		CE	
EMMI0120		MMI		TOUCH SCREEN		GT1050-QBBD		1		MITSUBISHI		CE	

Drawing No.: 19

MODEL: OD-SE

AX2N-10GM

NC Type

PC ROM

Title: PANEL LIST

SHARP

SHUN

SHUN

SHUN

SHUN

SHUN

08 12 18

08 12 18

08 12 18

08 12 18

08 12 18

08 12 18

08 12 18

08 12 18

08 12 18

08 12 18

Approved

Checked

Designed

Drawn

SHUN

G3XP-XXXNC-04

17 05 31

17 05 31

17 05 31

17 05 31

17 05 31

17 05 31

17 05 31

Modyfy

Edition

d

c

b

a