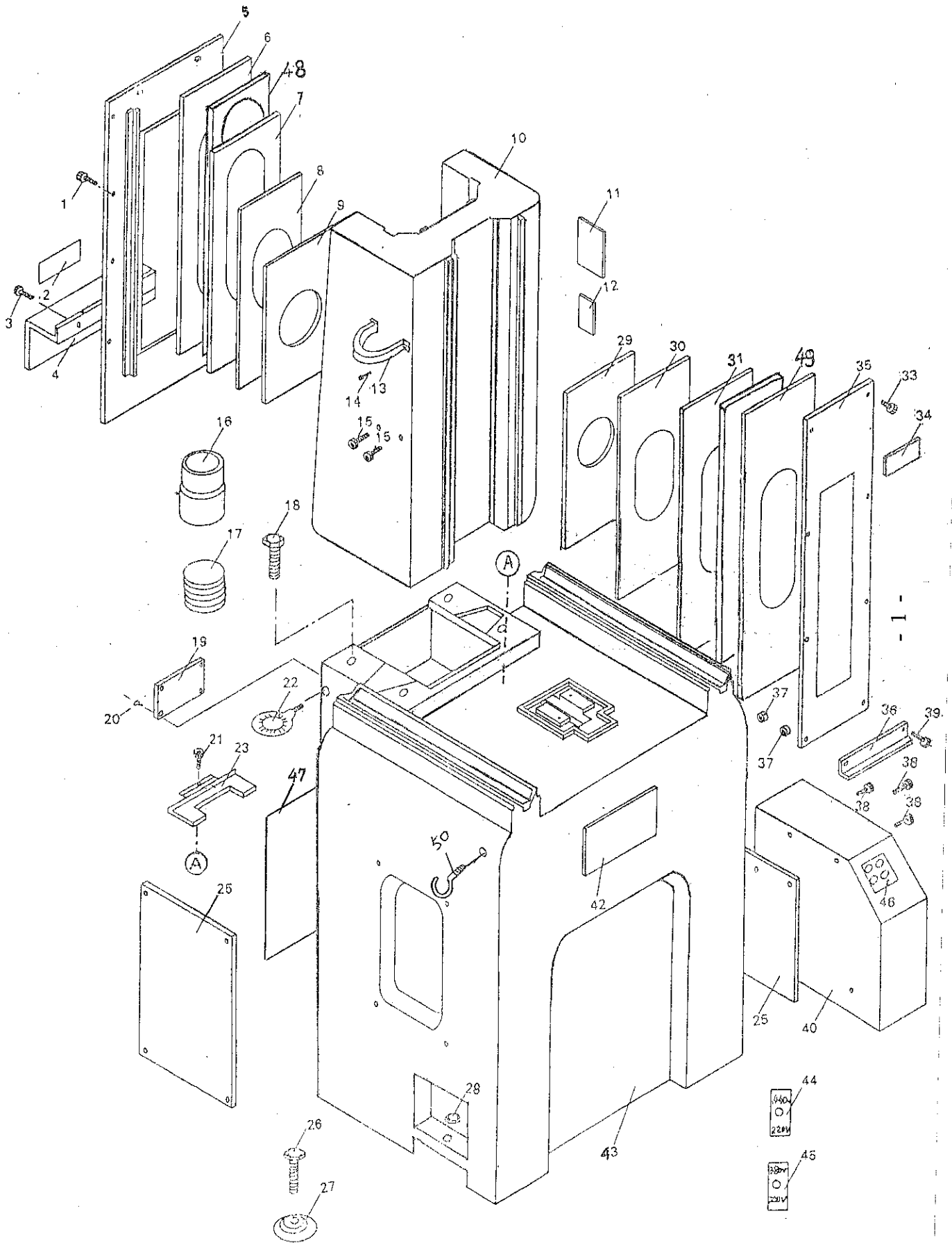


PARTS BOOK

Model: SG-614/618

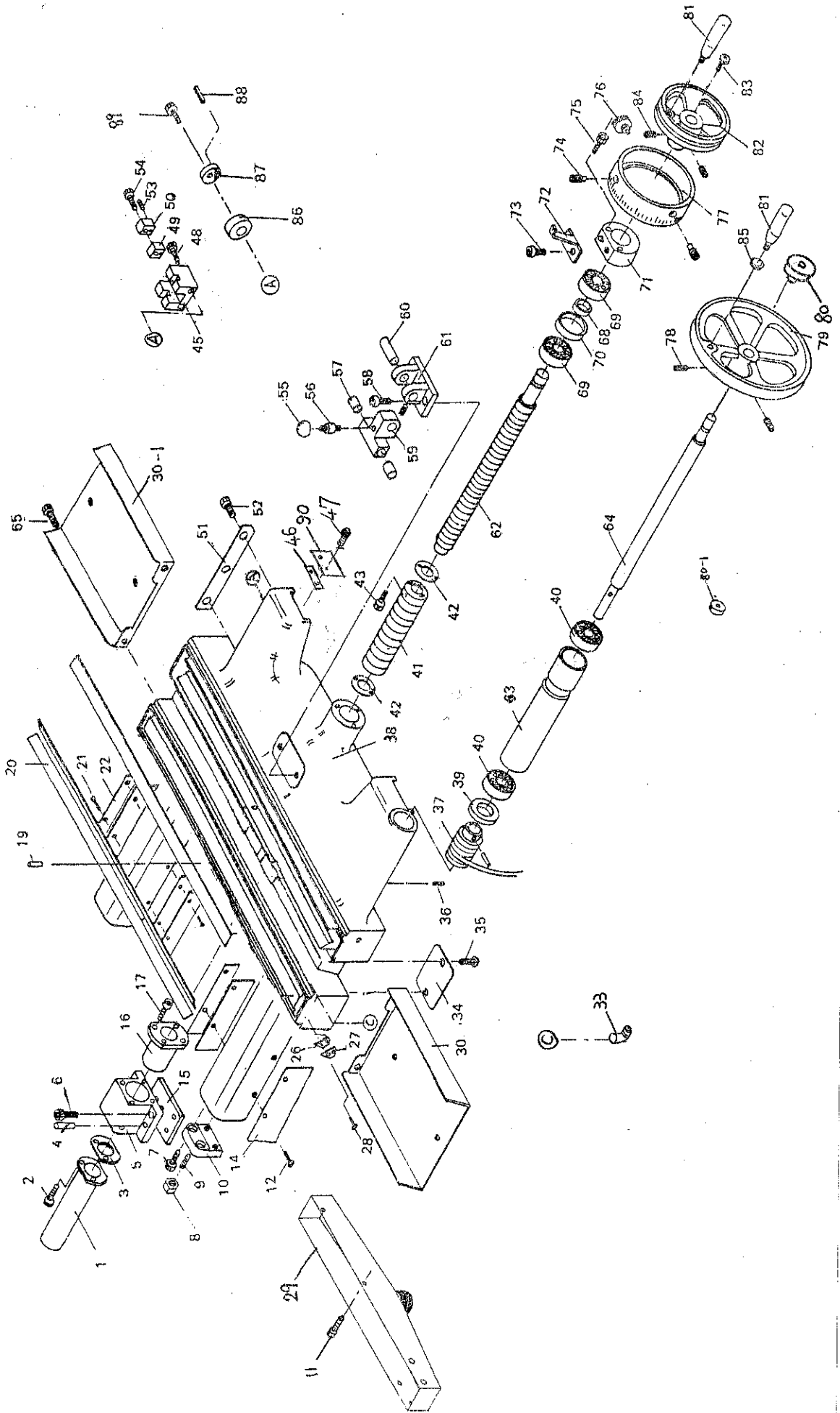
CONTENTS

INDEX	NAME OF ASSEMBLY	PAGE	INDEX	NAME OF ASSEMBLY	PAGE
1	BASE & COLUMN	1-2	13	HAND DRESSER MOUNTED ON WHEEL HEAD (OPT. ACC.)	27-28
2	SADDLE	3-6	14	WHEEL GUARD (OPT. ACC.)	29-30
3	TABLE	7-8			
4	GRINDING HEAD	9-10			
5	GRINDING WHEEL DRESSER (OPT.ACC.)	11-12			
6	VERTICAL TRANSMISSION UNIT	13-14			
7	LUBRICATION & ELECTRIC SYSTEM (OPT. ACC.)	15-16			
8	COOLANT SYSTEM (OPT. ACC.)	17-18			
9	VERTICAL & CROSS MOVEMENT MEASURING ATTACHMENT (OPT. ACC.)	19-20			
10	DUST SUCTION SYSTEM (OPT.ACC.)	21-22			
11	MICRO-FEEDER DEVICE FOR CROSS MOVEMENT (OPT. ACC.)	23-24			
12	MICRO-FEEDER DEVICE FOR VERTICAL MOVEMENT (OPT. ACC.)	25-26			



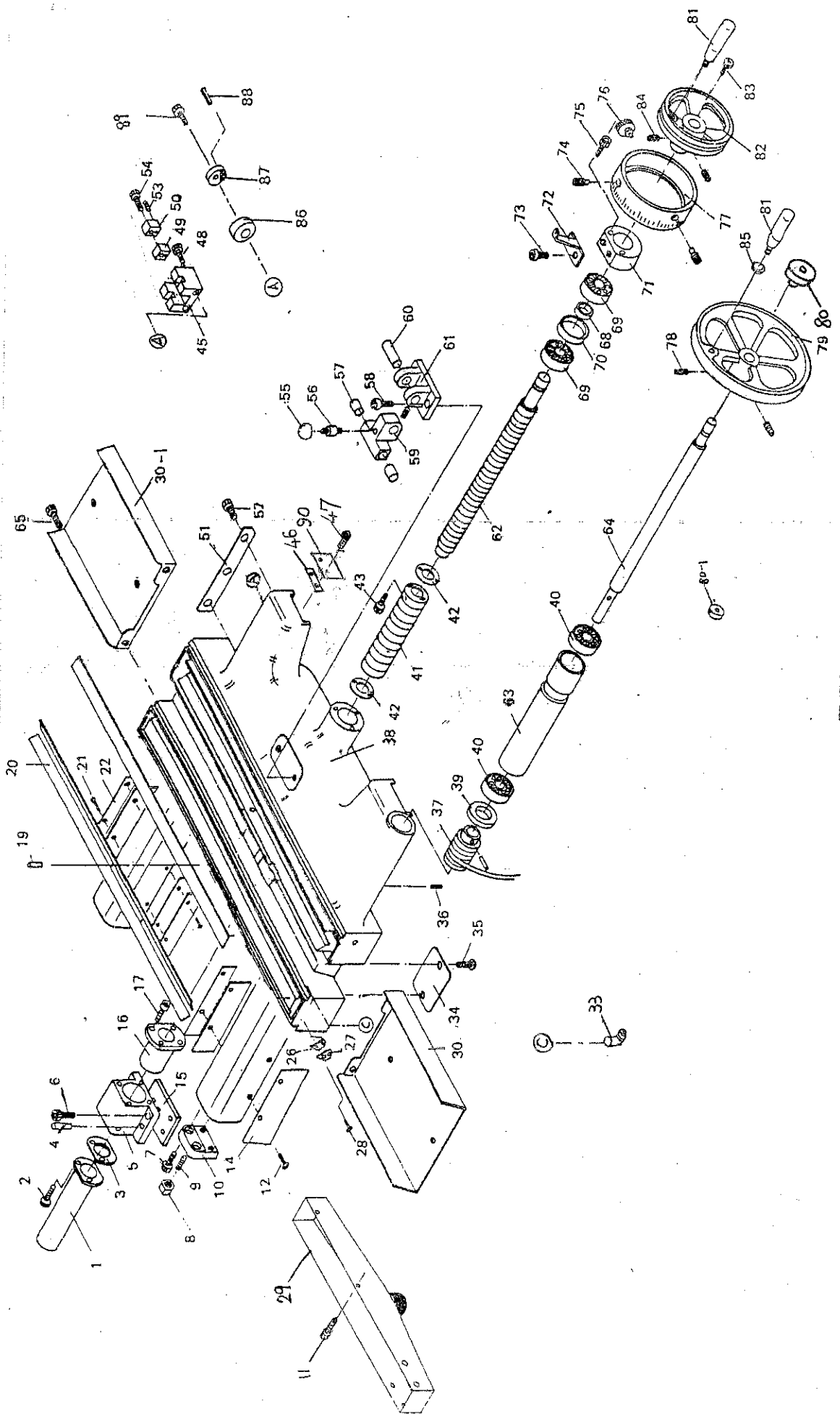
BASE & COLUMN

NO	PARTS NO	UNIT NAME	QTY	NO	PARTS NO	UNIT NAME	QTY
1		SCREW HB M5x8	10	27	105006	LEVELING PLATE	3
2	104035	INDICATING STICKER	1	28		HN M16	4
3		HS M5x8	2	29	102061	PLATE, FRONT-1	1
4	102049	COVER (614/S)	1	30	102062	PLATE, FRONT-2	1
4	B018	COVER (618/S/618EN/)	1	31	102063	PLATE, FRONT-3	1
5	102044	PLATE, REAR	1	32	102064	DLATE, FRONT-4 (614/S/618/S/EN)	1
5	252008	PLATE, REAR (61HI)	1	32	252006	DLATE, FRONT-4 (618HI)	1
6	102047	PLATE, REAR-4 (614/S/618/S/EN)	1	33		HB M5x8	6
6	252008	PLATE, REAR-4 (61HI)	1	34	104023	STICKER (MACHZNE MODEL)	1
7	102046	PLATE, REAR-3	1	35	102060	DLATE, FRONT-5 (614/S/618/S/EN)	1
8	102045	PLATE, REAR-2	1	35	252005	DLATE, FRONT-5 (618HI)	1
9	102059	PLATE, REAR-1	1	36	102048	PLATE, ROOT	1
10	102001	COLUMN (614)	1	37	104004	ELECTRICAL CABINET LINER	2
10	112001	COLUMN (614S)	1	38		HS M5x8	2
10	202001	COLUMN (618/6148S/618EN)	1	39		HB M5x8	2
10	252001	COLUMN (618HI)	1	40	104001	ELECTRICAL CABINET	1
11	109103	INDICATING STICKER	1	42	104013	NSME PLATE (614)	1
12	104032	WARNING STICKER	1	42	116003	NSME PLATE (614S)	1
13	108005	FIXING RING	1	42	C034-4	NSME PLATE (618/EN/HI)	1
14		HB M5x8	2	42	206003	NSME PLATE (618S)	1
15		HS M6x15	2	43	103001	BASE (614)	1
16	108011	HOSE CONNECTOR	1	43	116001	BASE (614S)	1
17	108012	HOSE (FOR DUST SUCTION SYSTEM, OPT. ACC.)	1	43	C003	BASE (618/HI)	1
18		HH M16x65	1	43	206001	BASE (618S)	1
19		NAMEPLATE	1	43	EN6001	BASE (618EN)	1
20	104015	RIVET Ø2	1	44	104017	NAME PLATE	1
21		HB M5x8	1	45	104018	NAME PLATE	1
22		M/6 CHII	1	46	104029	NAME PLATE	1
23	103021	COVER	3	47	EN6002	REAR COVER OF COLUMN	1
25	104006	SIDE COVER OF COLUMN	1	48	252004	PLATE, REAR-6 (FOR MODEL: 618HI)	1
26	105007	LEVELING BOLT HEX-HEAD	2	49	252007	PLATE, REAR-6 (FOR MODEL: 618HI)	1
			3	SD	126002	M/6 CHII	1



SADDLE

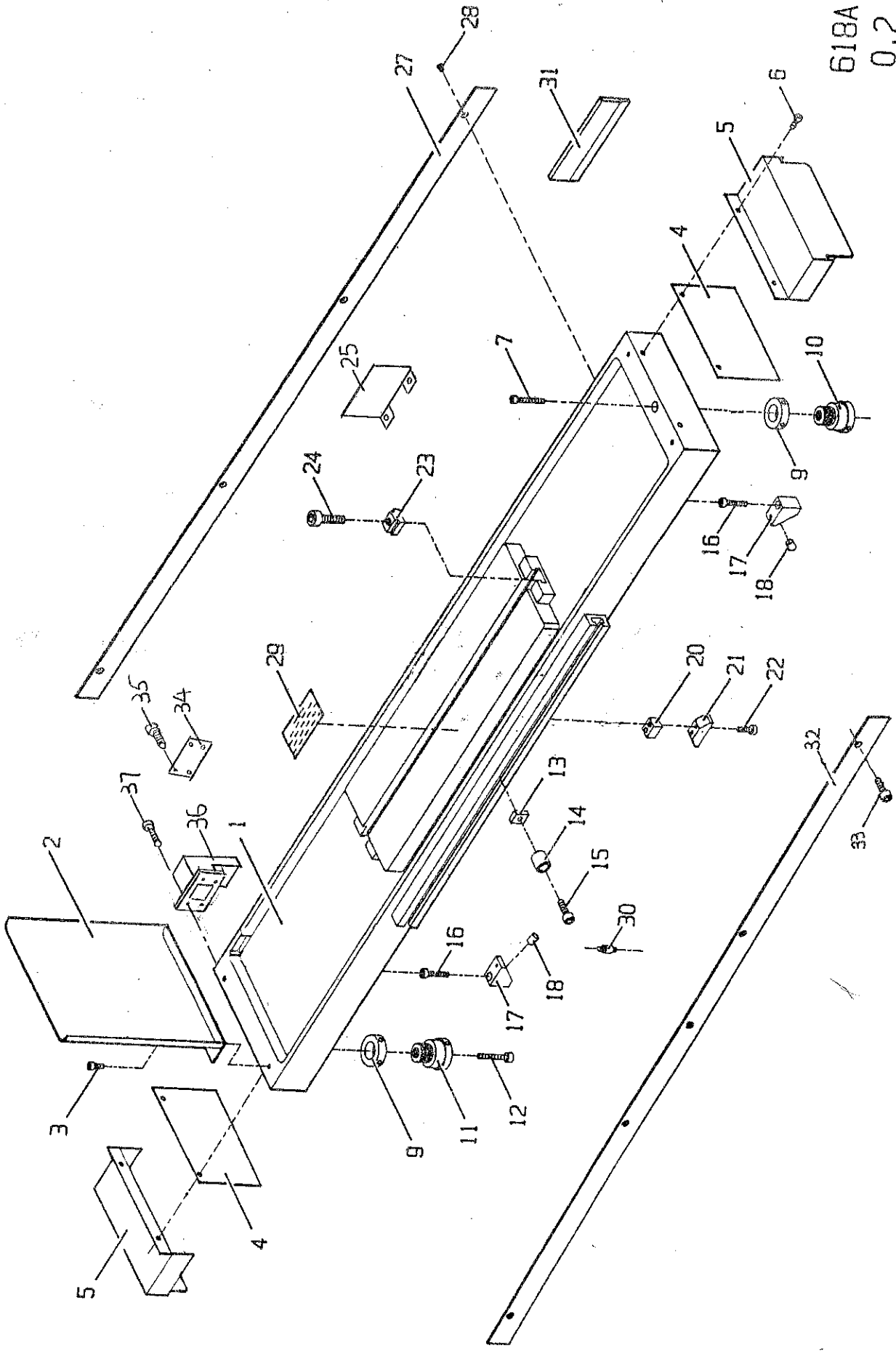
NO	PARTS NO	UNIT NAME	QTY	NO	PARTS NO	UNIT NAME	QTY
1	101034	DUSTPROOF SLEEVE	1	28		HB M3*8	1
2		HS M5*10	2	29	113003	DRAIN GROOVE (614/614S) (OPT)	1
3	103017	GASKET	1	29	D4-006	DRAIN GROOVE (618/EN/HD) (OPT)	1
4		PIN #5332	2	29	204003	DRAIN GROOVE (618S) (OPT)	1
5	103004	BRACKET FOR LEADSCREW	1	30	101008	SIDE COVER (LEFT) (614/618/EN/HD)	1
6		HS M8*30	2	30	111006	SIDE COVER (LEFT) (614S)	1
7		HS M6*25	4	30	203003	SIDE COVER (LEFT) (618S)	1
8		NUT HN M8	2	30-1	101010	SIDE COVER (RIGHT) (614/618/EN/HD)	1
9		HSS M8*30	2	30-1	111008	SIDE COVER (RIGHT) (614S)	1
10	103010	STOPPER (614/614S/618/618EN/618HD)	1	30-1	203004	SIDE COVER (RIGHT) (618S)	1
10	203006	STOPPER (618S/618AH/52)	1	33	109002	DRAIN HUIDE (OPT)	1
11		HS M8*15	2	34	113004	COVER (614/614S/618/618/EN/618HD)	1
12		HF M3*6	12	34	203002	COVER (618S)	1
14	103023	RUBBER PLATE	4	35		HB M5*8	2
15	103016	LINER	4	36		HSS M6*8	2
16	103006-2/2	LEAD SCREW NUT	1	37	101003	WIRE ROPE DRUM	1
17		HS M5*20	1	38	103002	SADDLE (614)	1
19	101035	ORIFICE PIN	2	38	A002	SADDLE (618/618EN/618HD)	1
20		25W*0.8T*590 (614/614S)	2	38	113001	SADDLE (614S)	1
20		28W*1.2T*590 (614/614S)	2	38	203001	SADDLE (618S)	1
20		17W*0.8T*680 (618/618EN/618HD)	1	39	101023	COLLAR	1
20		25W*1.2T*680 (618/618EN/618HD)	2	40		BEARING 6202ZZ	2
20		24W*0.8T*690 (618S)	1	41	103028	BELLOWS	1
20		28W*1.2T*690 (618S)	2	42	103029	GASKET	2
21		HB M3*6	12	43		HB M5*8	4
22	103024	PLATE (614/614S/618/618EN/618HD)	4	44		HS M5*10	4
22	203007	PLATE (618S)	4	45	104020	BRACKET FOR SLOT GRINDING	1
24		HS M5*6	4	46	113002	COVER	1
25	109003	DRAIN GUIDE (614/S/618/EN/HD) (OPT)	1	47		HB M5*6	1
26	101037	SCRAPER	4	48		HS M5*20	2
27	101031	SCRAPER HOLDER	4	49	104021	FASTENING BLOCK (1)	1
				50	104022	FASTENING BLOCK (2)	1



SADDLE

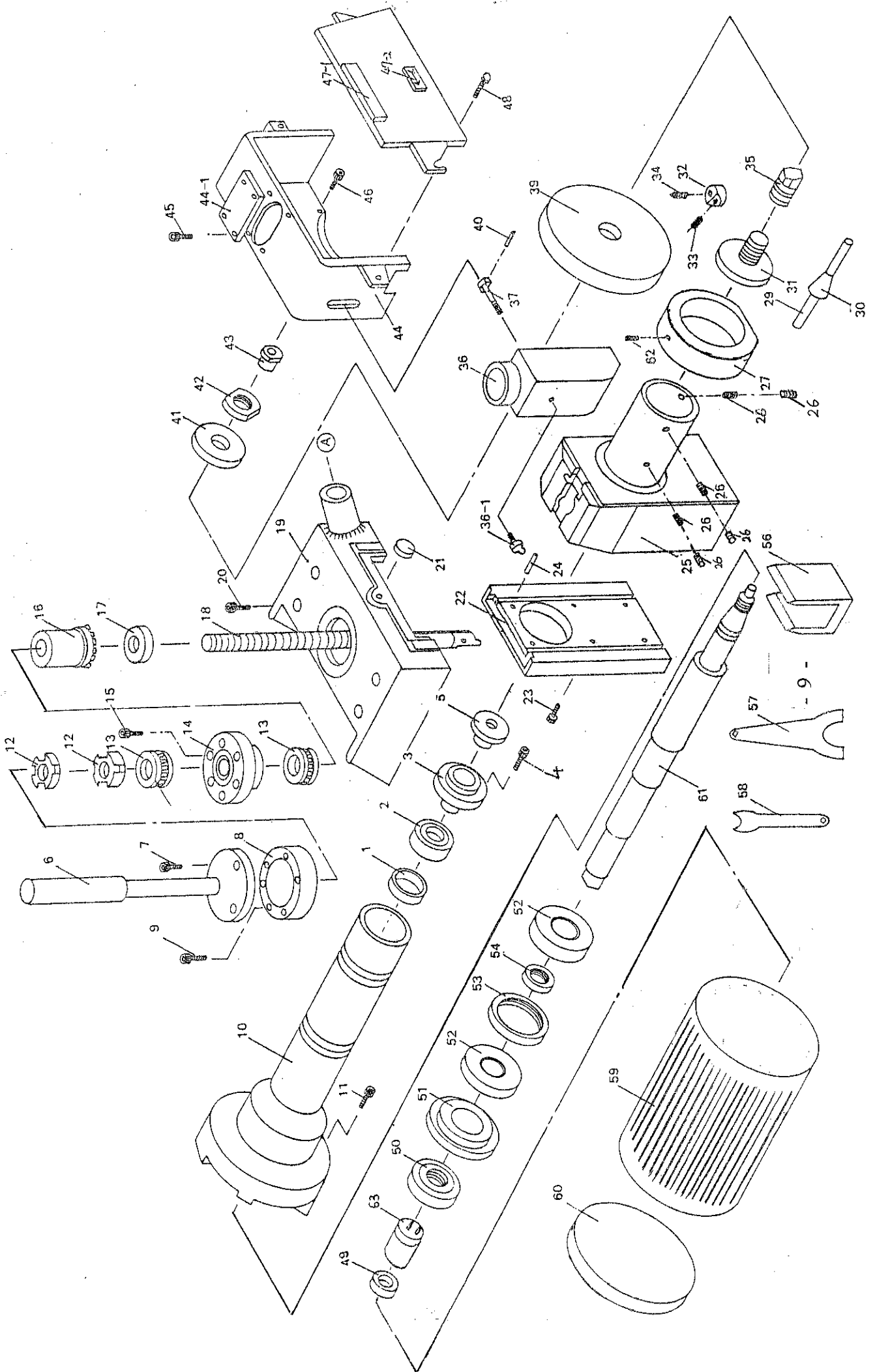
NO	PARTS NO	UNIT NAME	QTY	NO	PARTS NO	UNIT NAME	QTY
51	103007	PLATE	1	76	103022	THUMBSCREW	1
52		HS M6*10	3	77	109902	CROSS DIAL RING	1
53		HSS M5*8	2	78		HSS M8*12	2
54		HS M6*20	1	79	101021	WHEEL	1
55	101020	KNOB	1	80	105302	FRONT LOCK	1
56	101019	LEVER	1	80-1	105303	COLLAR	1
57	101018	DAMPER	2	81	101027	KNOB	1
58		HS M8*15	2	82	103018	WHEEL	2
59	101016	DAMPER BRACKET	1	83		HS M8*20	1
60	107017	SHAFT	1	84		HSS M8*10	2
61	101015	BRACKET	1	85	101026	COLLAR	1
62	109901	LEAD-SCREW	1	86	103008	COLLAR	1
63	101004	SLEEVE	1	87	103009	COLLAR	1
64	101002	SHAFT	1	88		SPRING PIN Ø5*45	1
65		HS M6*10	6	89		HSS M10*40	1
68	103011	COLLAR	2	90	113005	RUBBER PLATE	1
69		BEARING 6202ZZ	2				
70	101025	COLLAR	1				
71	103025	BRACKET	1				
72	103014	INDICATOR	1				
73		HB M5*8	2				
74	102027	SETTING SCREW	2				
75		HS M5*20	3				
76	103022	THUMBSCREW	1				
77	109902	CROSS DIAL RING	1				
78		HSS M8*12	2				
79	101021	WHEEL	1				
80	105302	FRONT LOCK	1				
80-1	105303	COLLAR	1				
81	101027	KNOB	1				
82	103018	WHEEL	2				
83		HS M8*20	1				

618A
0.2



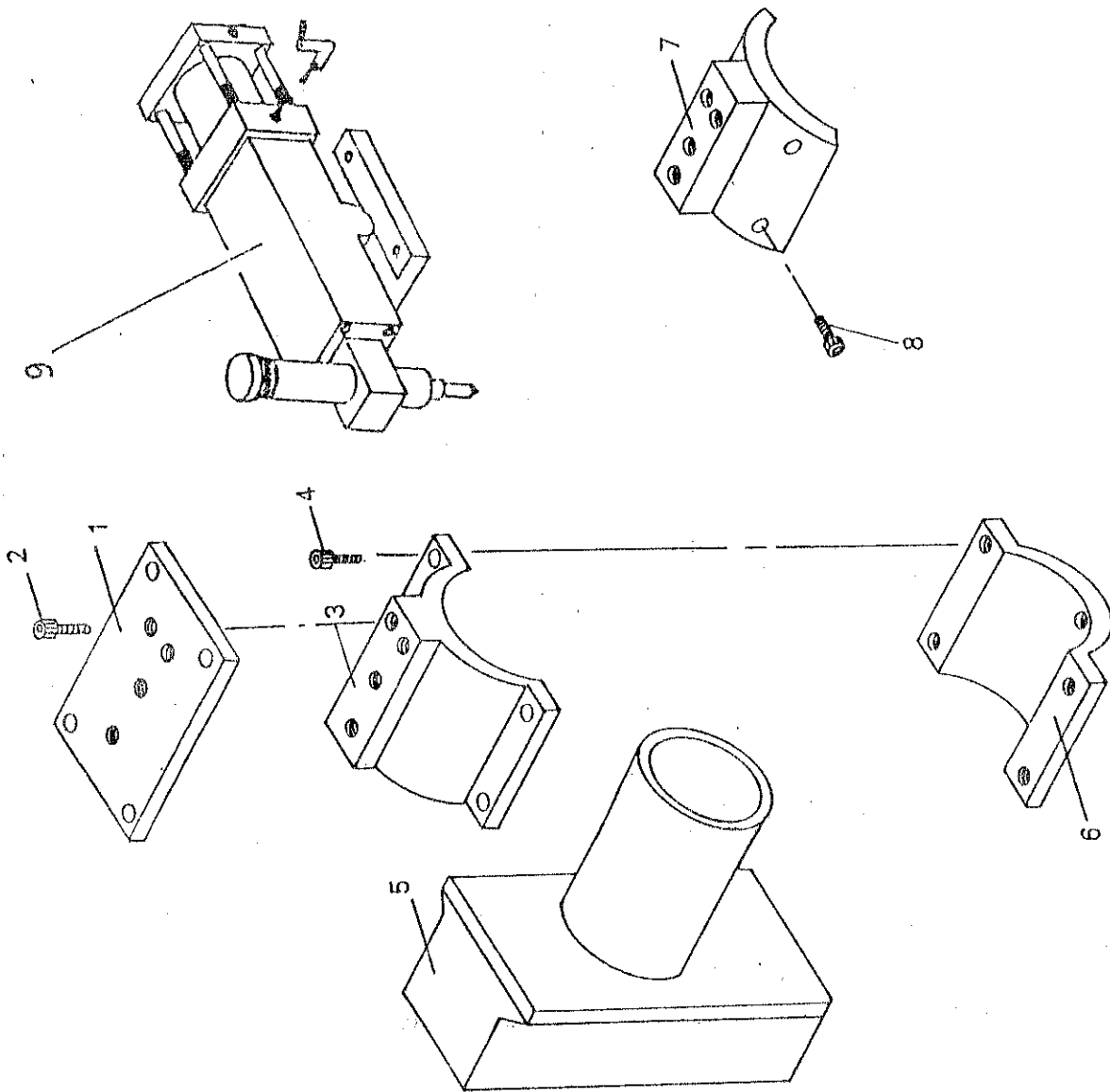
TABLE

NO	PARTS NO	UNIT NAME	QTY	NO	PARTS NO	UNIT NAME	QTY
1	111001	TABLE (614/614S)	1	28		HF M5*6	4
1	201001	TANLE (618/618S/618EN/618HI)	1	29	104030	NOTICE STICKER	1
2	111009	PLATE	1	30	101019	HANDLE-BAR	1
3		HS M6*10	2	31	105012	RUBBER SCRAPER	1
4	101012	RUBBER SHEET	2	32	111004	FRONT STRAP (614S)	1
5	111005	SIDE COVER OF TABLE	2	32	201003	FRONT STRAP (618S)	1
6		HS M5*10	4	33		HB M5*15	5
7		HS M5*50	1	34	111002	COVER (614S)	1
8	103011	SPACER	1	34	201002	COVER (618S)	1
9	101006	NUT	2	35		HB M5*6	4
10	101022	DRUM (RIGHT)	1	36	204002	GUIDE SHELF (618S)	1
11	101005	DRUM (LEFT)	1	36	H030	GUIDE SHELF (614S)	1
12		HS M8*50	1	37		HS M5*15	4
13	101014	T-NUT	2				
14	101013	STROKE STOPPER	2				
15		HS M8*25	2				
16		HS M6*35	2				
17	103031	DAMPER BASE	2				
18	103036	DAMPER	2				
20	103033	SPACER (614/614S/618/EN/HI)	1				
20	201007	SPACER (618S)	1				
21	103032	LIMITING BLOCK	1				
22		HS M5*35	2				
23	105011	T-NUT	2				
24		HS M10*40	2				
25	101036	DRAIN GUIDER (614/618/EN/HI)	1				
26		HF M5*6	2				
27	111003	REAR STRAP (614/614S)	1				
27	A-096	REAR STRAP (618/EN/HI)	1				
27	201004	REAR STRAP (618S)	1				



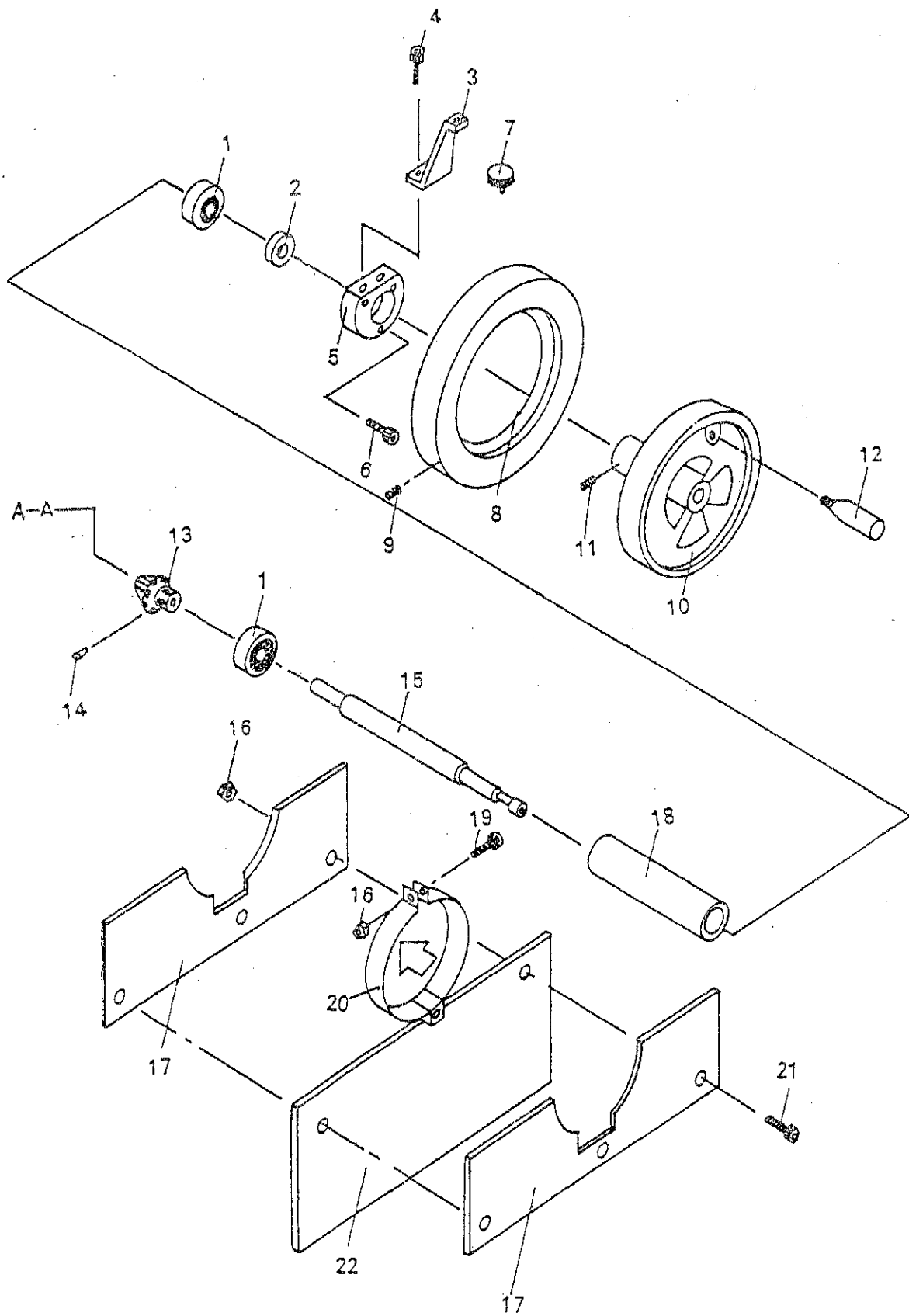
GRINDING HEAD

NO	PARTS NO	UNIT NAME	QTY	NO	PARTS NO	UNIT NAME	QTY
1	102050	SPACER	1	34		DIAMOND TOOL Ø12 1/4 CARAT	1
2		BEARING NN3006K	1	35	105013-5/5	GRINDNG WHEEL PULLER	1
3	102021	COLLAR LABYRINTH	1	36	102058	DUST SUCTION TUBE JOINT	1
4		HS M5×15	4	36-1		KNOB	1
5	102022	NUT	1	37		HH M8×90	1
6	102030-3/3	SCREW SOCKET-HEAD M5×10	1	39		GRINDING WHEEL WA46K	1
7		HS M5×8	3	40		SPRING PIN Ø4×20	1
8	102068	COVER	1	41	105013-2/5	WASHER	1
9		HS M5×30	3	42	105013-3/5	NUT LOCK	1
10	102015	SPINDLE CASE	1	43	102037	NUT LOCK	1
11		HH M6×50	4	44	102032-1/2	WHEEL GUARD	1
12	102009	NUT	2	44-1	102031	COVER	1
13		BEARING 51106	2	45		HB M5×8	4
14	102008	CAP	1	46		HS M8×15	4
15		HS M6×15	3	47-1	104025	SPEC.PLATE OF GRINDING WHEEL	1
16	109903-2/2	SPIRAL BEVEL GEAR 28T	1	47-2	104026	INDICATION OF ROTATING	1
17	102007	WASHER	1			DIRECTION	
18	109903-2/2	LEADSCREW (METRIC)	1	48	102038	KNOB	1
19	102002	TOP BOX	1	49	102023	LUCK NUT	1
20		HS M8×90	4	50	102020	LUCK NUT	1
21		INDICATOR OF LUBRICATION OIL	1	51	102018	COLLAR LABYRINTH	1
22	102004	VERTICAL-SLIDE	1	52		BEARING 72088 72088 PB	1
23		HS M8×20	6	53	102017	SPACER	1
24		TAPER PIN #5×45	1	54	102016	SPACER	1
25	102003	GRINDING HEAD	1	56	109201	GRINDING WHEEL BALANCING	1
26		HSS M8×6	1/2			APPARATUS	
27	102067	CIRCULAR JOINT	1	57	105004	WRENCH #46	1
				58	105003	WRENCH #27	1
29	105002	ARBOR FOR WHEEL BALANCING	1	59		SPINDLE MOTOR 1.5HP	1
30	105010	ARBOR FOR WHEEL BAUA NCING	1	60	102056	BALANCE WEIGHT	1
31	105014	FLANGE BODY	1	61	102039	SPINDLE SHAFT	1
31	105013-1/5	FLANGE BODY	1	62		HSS M8×20	1
32	105005	DIAMOND TOOL BASE	1				4



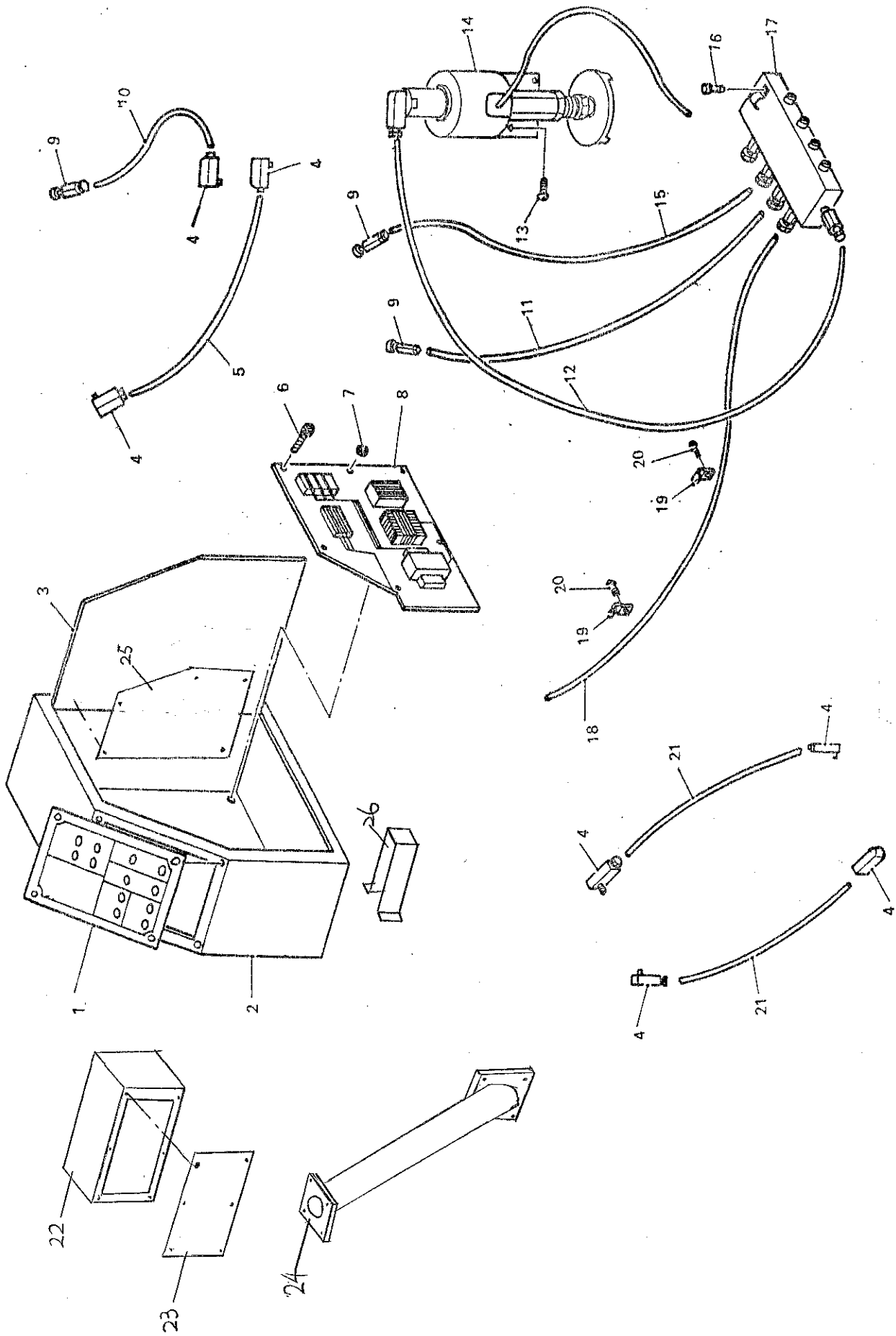
GRINDING WHEEL DRESSER (OPT. ACC.)

NO	PARTS NO	UNIT NAME	QTY	NO	PARTS NO	UNIT NAME	QTY
1	105103	LINER	1				
2		HS M5×15	4				
3	105102	FIXING BASE FOR GRINDING WHEEL DRESSER	1				
4		HS M8×20	4				
5	102003	SPINDLE HEAD	1				
6	105101	BRACKET FOR GRINDING WHEEL DRESSER	1				
7	105104	BRACKET FOR GRINDING WHEEL DRESSER	1				
8		HS M6×12	4				



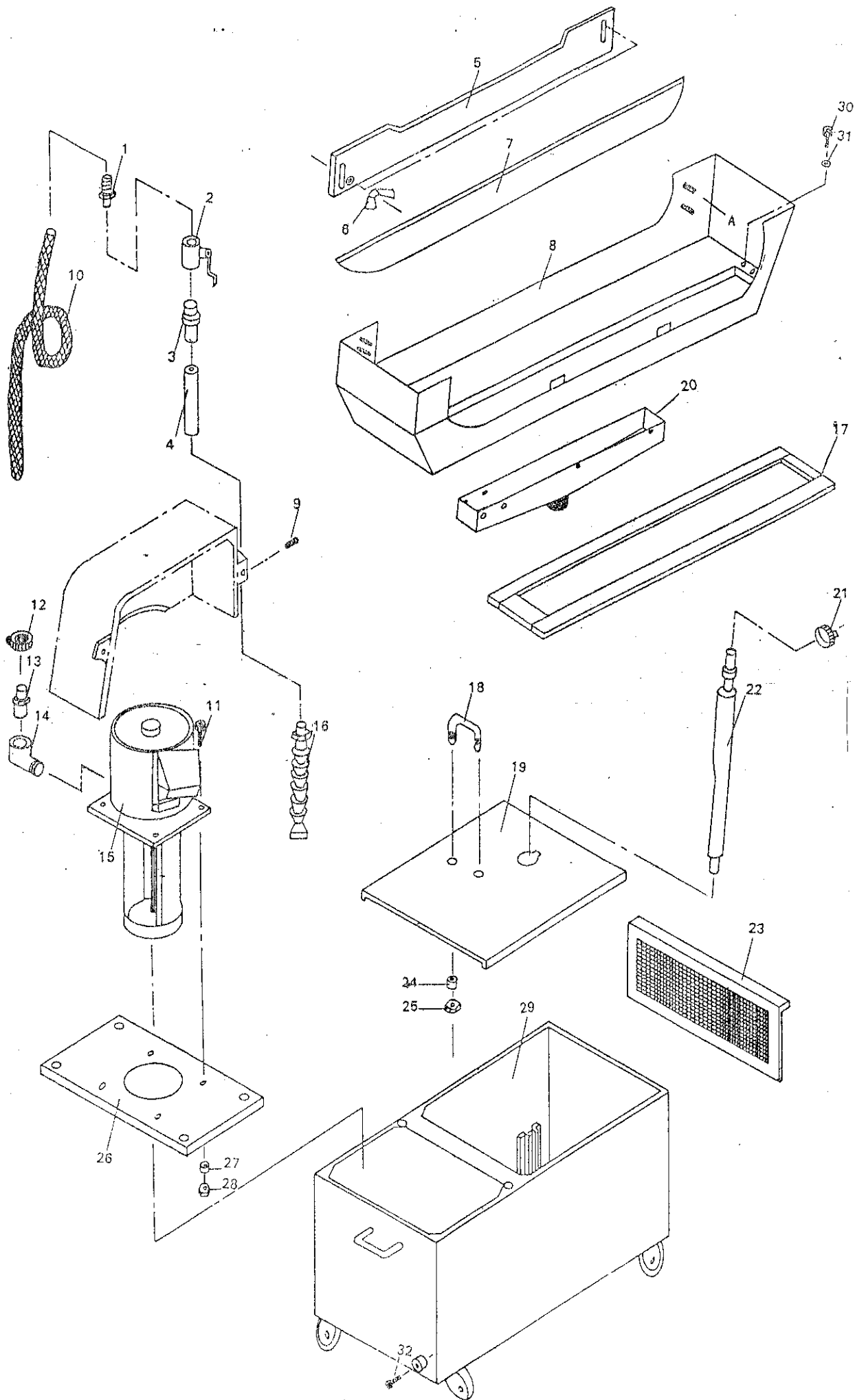
VERTICAL TRANSMISSION UNIT

NO	PARTS NO	UNIT NAME	QTY	NO	PARTS NO	UNIT NAME	QTY
1		BEARING 6001ZZ	2				
2	102013	SPACER	1				
3	102029	POINTER	1				
4		HB M5*8	2				
5	102014	VERTICAL POINTER BRACKET	1				
6		HS M5*20	3				
7	103022	THUMB SCREW	1				
8	109905	VERTICAL FEED DIAL RING	1				
9	102027	SETTING SCREW	2				
10	102025	VERTICAL FEED HAND WHEEL	1				
11		HSS M8*10	2				
12	102028	REVOLVING KNOB	3				
13	102011	SPIRAL BEVEL GEAR	1				
14		SPRING PIN Ø4*20	1				
15	102010	TRANSMISSION SHAFT	1				
16		NUT HN M5	2				
17	H022	RUBBER FIXING PLATE	2				
18	102012	SLEEVE	1				
19		HS M5*15	1				
20	102033	FIXING RING	1				
21		HB M5*8	3				
22	106013	RUBBER SHEET	1				



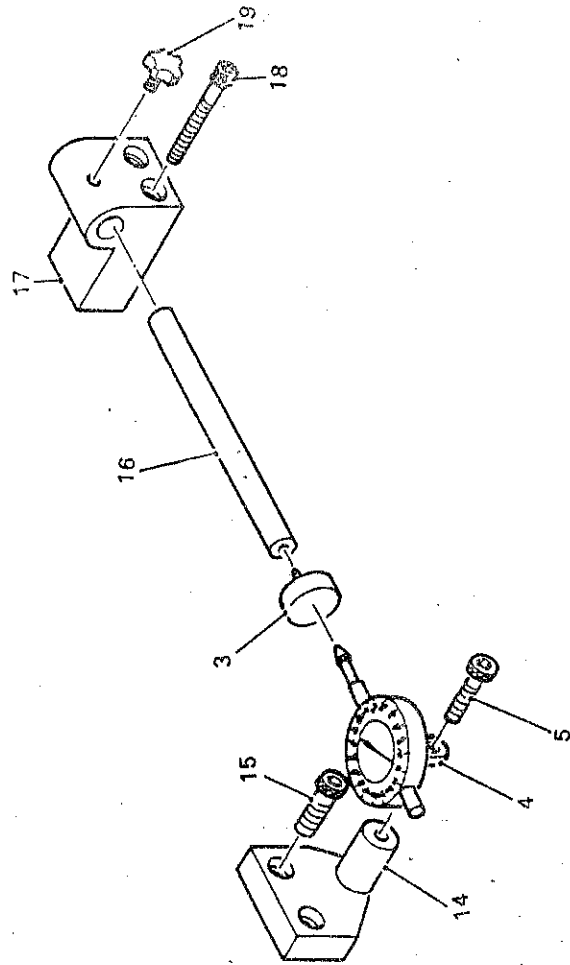
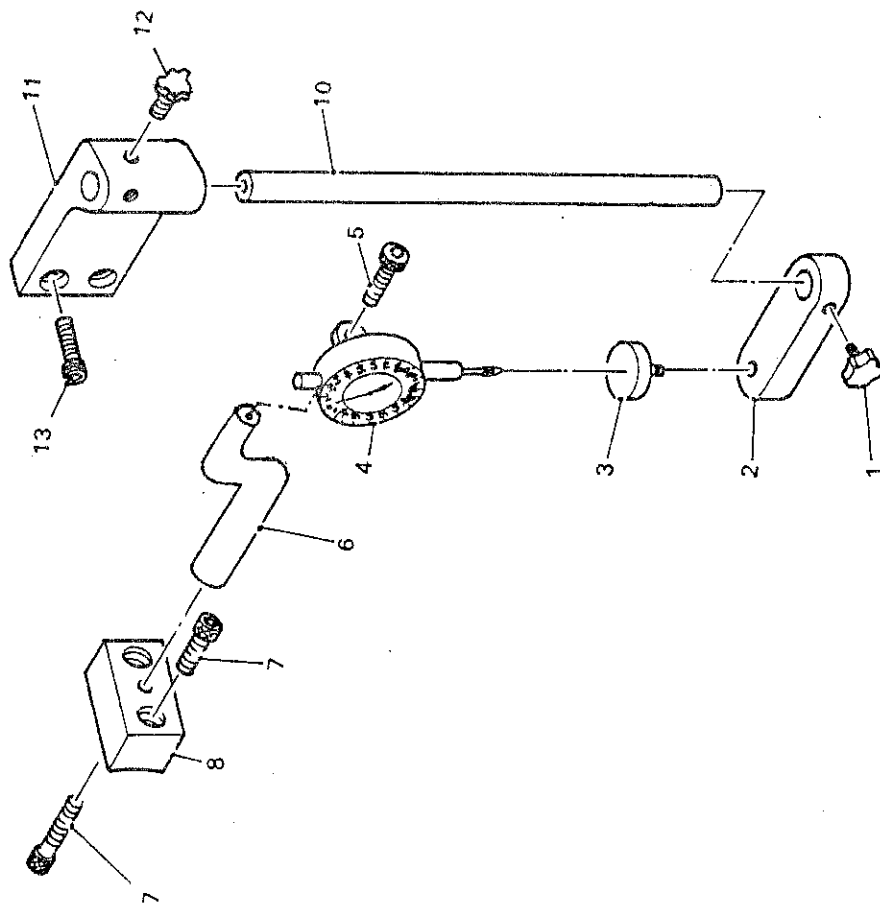
LUBRICATION & ELECTRIC SYSTEM

NO	PARTS NO	UNIT NAME	QTY	NO	PARTS NO	UNIT NAME	QTY
1	104029	PANEL OF ELECTRIC BOX	1				
2	104001-2/4	ELECTRIC BOX	1				
2	204203	ELECTRIC BOX (618S OPT)	1				
3	104001-3/4	ELECTRIC BOX DOOR	1				
3	H407-4/6	ELECTRIC BOX DOOR	1				
4		ELBOW JOIN T6	1				
5		HOSE Ø4×350	1				
6		HS M6×25	1				
7		HN M5	5				
8	104001-4/4	PLATE STRAIGHT	1				
8	H407-3/6	PLATE STRAIGHT	1				
9		STRAIGHT JOINT	3				
10		HOSE Ø4×350	1				
11		HOSE Ø4×300	1				
12		HOSE Ø4×200	1				
13		HB M5×6	1				
14		ELECTRIC-MAGNETIC PUMP	1				
15		HOSE Ø4×300	1				
16		HS M5×8	1				
17		OIL REGULATING DISTRI BUTOR	1				
18		HOSE Ø4×400	1				
19		SINGLE-PIPE CLIP	2				
20		HS M5×20	2				
21		HOSE Ø4×350	1				
22	204204	CONTROL BOX (618S OPT)	1				
23	204205	PANEL OF ELECTRIC BOX (618S OPT)	1				
24	204206	CONTROL SUPPORT DOWEL (618S OPT)	1				
25	H407-3/6	ELECTRIC BOX BACKBOARD	1				
26	H407-5/6	ELECTRIC BOX DOOR BACKBOARD	1				
27	H407-6/6	SWITCH BASA	1				



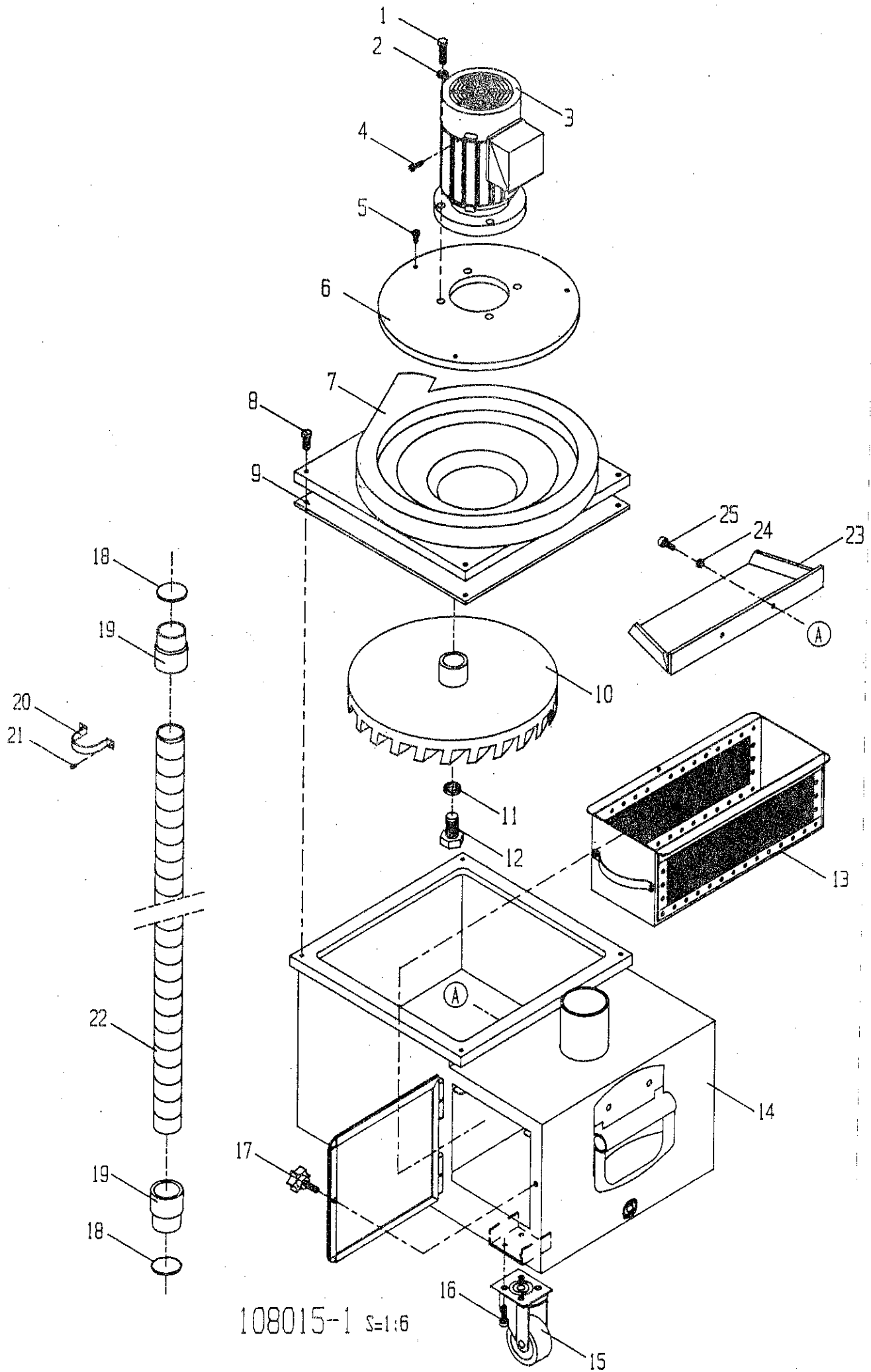
COOLANT SYSTEM (OPT. ACC.)

NO	PARTS NO	UNIT NAME	QTY	NO	PARTS NO	UNIT NAME	QTY
1		INSERTING PIPE JOINT 3/8"×3/8"	1	29	109001-1/4	TANK RESERVOIR	1
2		VALVE 3/8"	1	30		HS M6×15	4
3	109005	TUBE SET SPRAY	1	31		WASHER	4
4	109004	JOINT	1	32		PLUG PT3/8"	1
5	104009	PLATE (614/614S)	1				
5	D4-007	PLATE (618/618S/618EN/618HD)	1				
6		WING NUT M6	2				
7	104010	PLATE ACRYLIC (614/614S)	1				
7	D4-008	PLATE ACRYLIC (618/618S/EN/HD)	1				
8	111010	SPLASH GUARD (614/614S)	1				
8	D4-006	SPLASH GUARD (618)	1				
8	204001	SPLASH GUARD (618S)	1				
9		HSS M8×8	1				
10		NET PLASTIC PIPE 1/2×2M	1				
11		HS M8×10	1				
12		HOSE CLAMP 3/8"	1				
13		INSERTING PIPE	1				
14		JOINT 3/8"×90°	1				
15		PUMP 1/8HP×180L	1				
16		FOAM 1/4×7/8W	1				
17		FOAM RUBBER	1				
18		HOLDER	1				
19	109001-3/4	COVER	1				
20	109002	ELBOW	1				
21		HOSE CLAMP 3/8"	1				
22		HOSE 1 1/4"×1200L	1				
23	109001-4/4	FILTER	1				
24		WASHER	1				
25		NUT 1/4	1				
26	109001-3/4	COVER	1				
27		WASHER	4				
28		NUT M6	1				



VERTICAL & CROSS MOVEMENT MEASURING ATTACHMENT (OPT. ACC.)

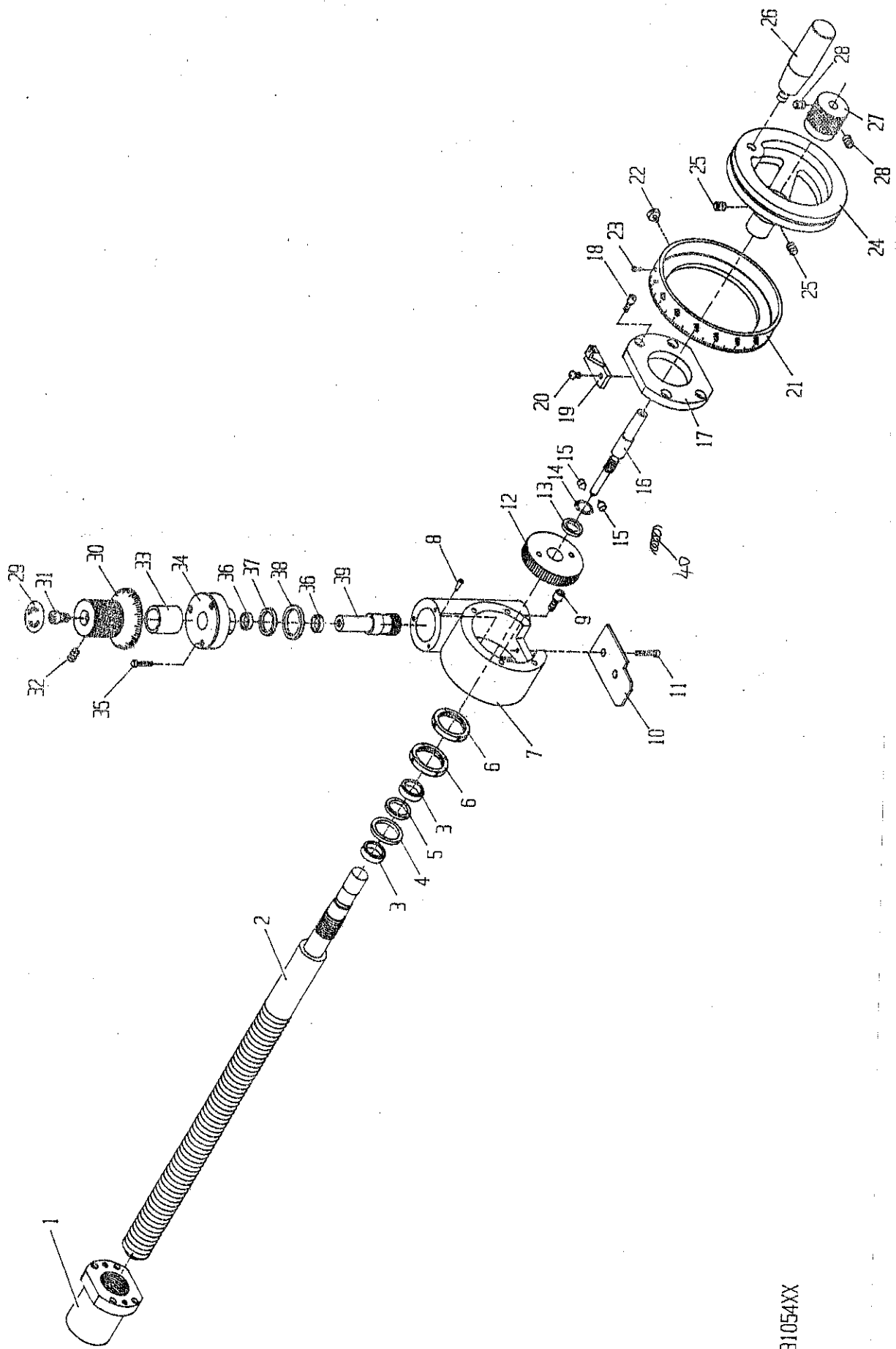
NO	PART'S NO	UNIT NAME	QTY	NO	PARTS NO	UNIT NAME	QTY
1	103022	KNOB	1				
2	107008	ELEVATING PIECE	1				
3	107002	DIAL MEASURING PIECE	2				
4		DIAL INDICATOR	2				
5		HS M6×15	2				
6	107010	CONNECTING ROD	1				
7		HS M6×15	2				
8	107001	BRACKET	1				
10	107007	ROD	1				
11	107003	ROD SUPPORT	1				
12		HSS M6×6	2				
13		HS M6×15	2				
14	106005	SUPPORT	1				
15		HS M6×15	2				
16	106003	ROD	1				
17	106001	ROD SUPPORT	1				
18		HS M6×80	2				
19	102038	KNOB	2				



108015-1 S=1:6

DUST SUCTION SYSTEM

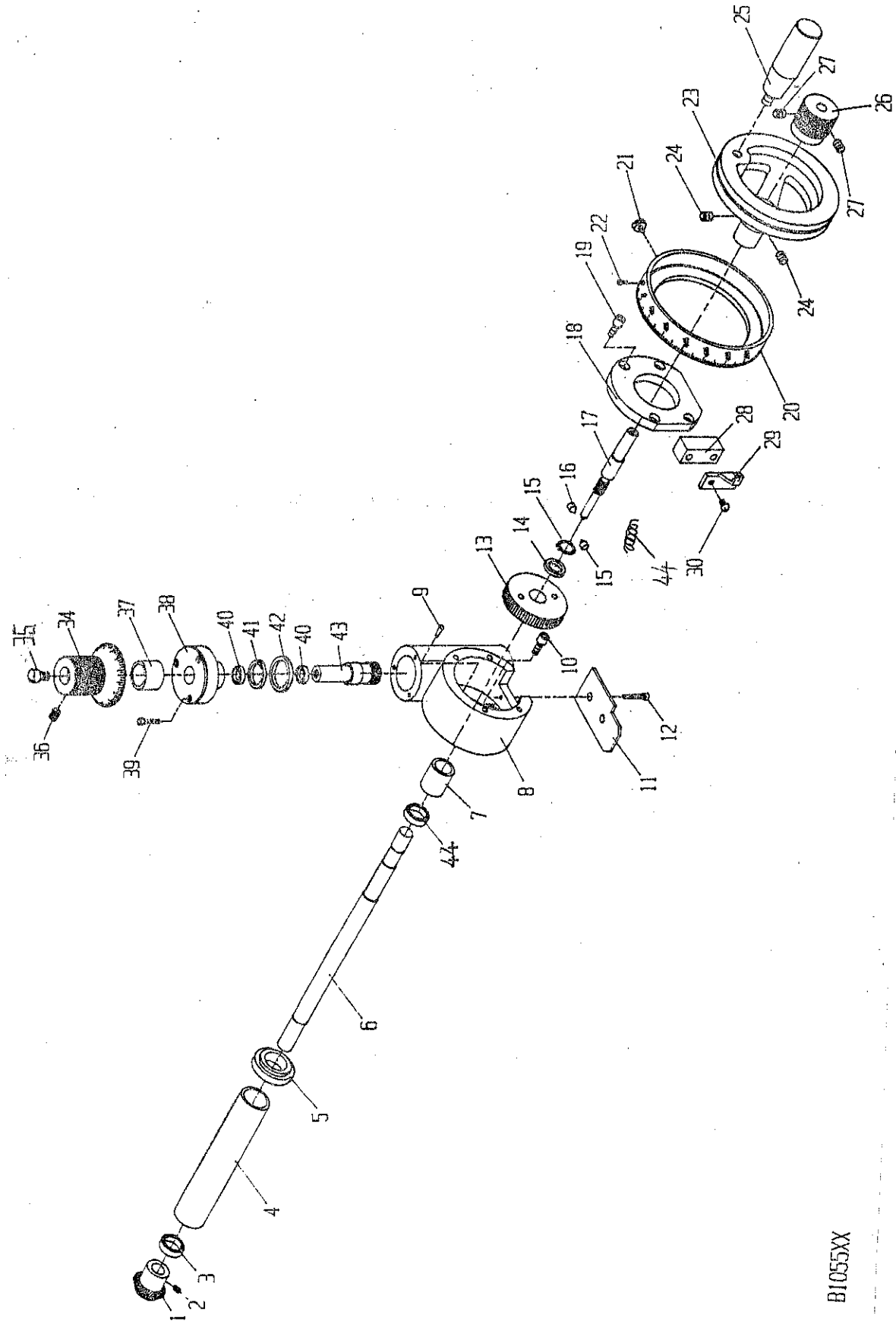
NO	PARTS NO	UNIT NAME	QTY	NO	PARTS NO	UNIT NAME	QTY
1		HH 3/8"×5/8"L	4				
2		SPRING WASHER	4				
3		1/2HP MOTOR (V-TYPE)	1				
4		HEX- + HEAD SET SCREW M5×10	3				
5		HB 3/16"×5/8"L	3				
6		COVER	1				
7		IMPELLER BODY	1				
8		HH M6×25L	4				
9		GASKET	1				
10	108013	IMPELLER	1				
11		SPRING WASHER 1/4"	1				
12		HH 1/4"×1/2"L	1				
13		COLLECTIVE BOX	1				
14	108015	DUST SUCTION BODY	1				
15		WHEEL	4				
16		SETTING SCREW	16				
17		KNOB	1				
18		CLAMP HOSE 3"	2				
19	108011	JOINT HOSE	2				
20	108005	BRACKET	1				
21		HB M5×8	2				
22	108012	SUCTION HOSE	1				
23		GUIDE PLATE	1				
24		HN 1/4"	2				
25		HH 1/4"×1/2"L	2				



B1054XX

MICRO FEEDER DEVICE FOR CROSS MOVEMENT

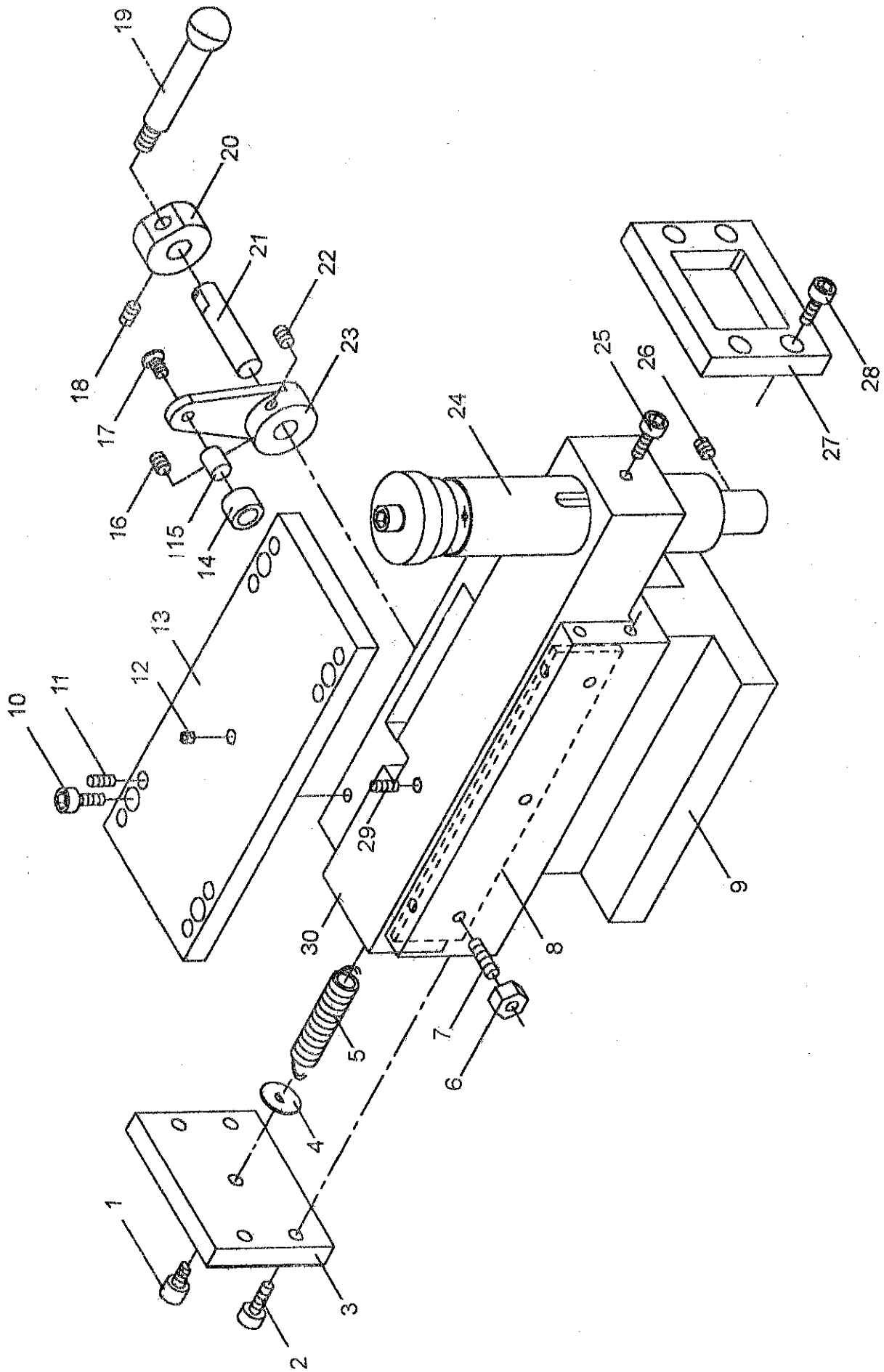
NO	PARTS NO	UNIT NAME	QTY	NO	PARTS NO	UNIT NAME	QTY
1	103006-2/2	NUT	1	32		HSS M6×10	2
2	105417	BALL SCREW	1	33		COLLAR	1
3		BEARING 6003 ZZ	2	34	105412	COVERD	1
4	105415	COLLAR	1	35		HS M5×15	3
5	105414	SPACER	1	36		BEARING 6001 ZZ	2
6		NUT (AN03)	2	37	105413	COLLAR	1
7	105401	GEAR BRACKET	1	38	105416	COLLAR	1
8		PIN TAPER	2	39	105410	SHAFT	1
9		HS M5×15	3	40		SPRING	1
10	105419	COVER PLATE	1				
11		HF M5×6	2				
12	105409	GEAR	1				
13	105413	COLLAR	1				
14		RING	1				
15	105402	PIN	2				
16	105404	SHAFT	1				
17	105407	INDICATOR BRACKET	1				
18		HS M5×10	4				
19	303106	POINTER	1				
20		HB M5×8	2				
21	103019	CROSS DIAL RING	1				
22	103022	TNUMB SCREW	1				
23		SETTING SCREW	2				
24	105403	HAND WHEEL	1				
25		HSS M8×10	2				
26		KNOB	1				
27	105406	HANDLE	1				
28		HSS M6×10	2				
29	105418	STICKER	1				
30	105411	TURNER	1				
31		HS M8×15	1				



B1055XX

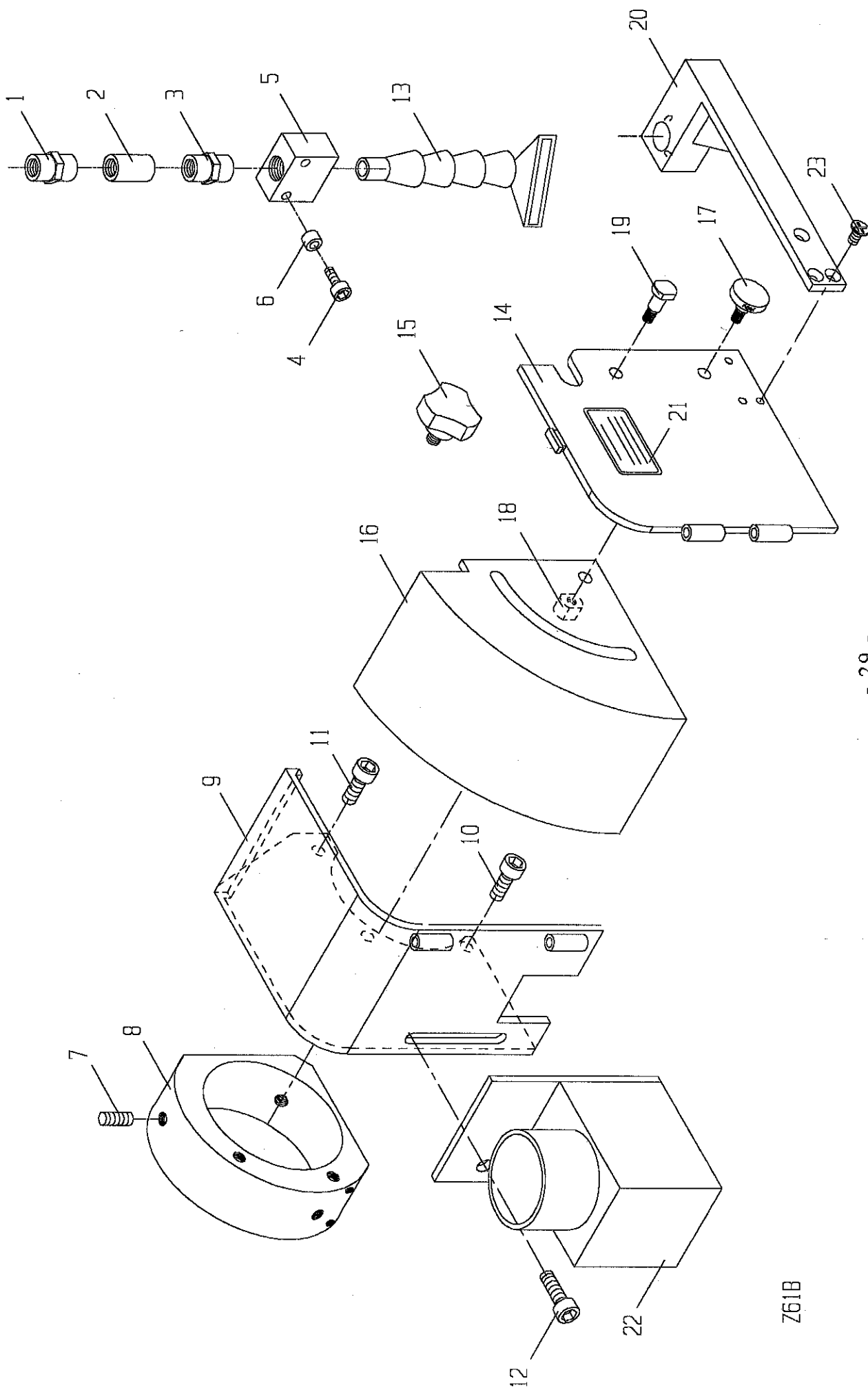
MICRO-FEEDER DEVICE FOR VERTICAL MOVEMENT (OPT. ACC.)

NO	PARTS NO	UNIT NAME	QTY	NO	PARTS NO	UNIT NAME	QTY
1	102006	SPIRAL BEVEL GEAR	1	32		HS M8*90	4
2		SETTING SCREW	1	33	105509	STICKER	1
3		BEARING 6003 6202	1	34	105505	TURNER	1
4	105511	COLLAR	1	35		HS M8*15	1
5	105510	RING	1	36		HSS M6*10	2
6		SHAFT	1	37		COLLAR	1
7	105501	COLLAR	1	38	105504	COVER	1
8		GEAR BRACKET	1	39		HS M5*15	3
9	10501	PIN TAPER	2	40		BEARING 6001 ZZ	2
10		HS M5*15	3	41	105413	COLLAR	1
11	105405	COVER PLATE	1	42	105416	COLLAR	1
12	105419	HF M5*6	2	43	105410	SHAFT	1
13	105409	GEAR	1	44		SPRING	1
14	105413	COLLAR	1				
15		RING	1				
16	105402	PIN	2				
17	105404	SHAFT	1				
18	105506	INDICATOR BRACKET	1				
19		HS M5*8	4				
20	102026	CROSS DIAL RING	1				
21	103022	TNUMB SCREW	1				
22		SETTING SCREW	1				
23	105503	HAND WHEEL	1				
24		HSS M8*10	2				
25		KNOB	1				
26	105406	HANDLE	1				
27		HSS M6*10	2				
28	105502	LUMP	1				
29	303106	POINTER	1				
30		HB M5*8	2				
31	105508	TOP BOX	1				



HAND DRESSER MOUNTED ON WHEEL HEAD (OPT. ACC.)

NO	PARTS NO	UNIT NAME	QTY	NO	PARTS NO	UNIT NAME	QTY
1		SCREW HS M6*15	1	29		SCREW HSS M6*20	1
2		SCREW HS M6*20	4	30		SLIDING BLOCK	1
3		REAR COVER	1				
4		SPACER	1				
5		SPRING	1				
6		NUT	3				
7		SCREW	3				
8		FIXING PLATE	1				
9		BODY	1				
10		SCREW HS M6*20	4				
11		HSS M6*10	8				
12		VALVE	1				
13		UPPER COVER	1				
14		RING	1				
15		SHAFT	1				
16		SCREW HS M6*10	1				
17		SCREW HS M6*15	1				
18		SCREW HSS M6*20	1				
19		ROD	1				
20		COLLAR	1				
21		SHAFT	1				
22		SCREW M6*10	1				
23		BRACKET	1				
24		DRESSER BRACKET	1				
25		SCREW HS M6*20	1				
26		SCREW HSS M6*10	1				
27		FRONT COVER	1				
28		SCREW HS M6*20	4				



Z61B

WHEEL GUARD (614 /618S OPT. ACC.)

NO	PARTS NO	UNIT NAME	QTY	NO	PARTS NO	UNIT NAME	QTY
1	114310	JOINT	1				
2		VALVE 2/8"	1				
3		JOINT 3/8"	1				
4		HS M5*20	2				
5	114309	NOZZLE BLOCK	1				
6	114311	WASHER	2				
7		HSS M8*20	2				
8	114307	FIX ANNULUS	1				
9	114301-1/8	WHEEL GUARD	1				
10		HS M8*15	2				
11		HH M8*10	1				
12		HB M8*15	1				
13		MOZZLE FORM 1/4"*1/8W	1				
14	114301-2/8	CAP	1				
15	102038	KNOB	2				
16	114301-3/8	EXERCISE CAP	1				
17	114301-5/8	KNOB SCREW	1				
18	114301-6/8	FIX NUT	1				
19	114301-7/8	SCREW	1				
20	114301-8/8	SHELF	1				
21	114312	GAUTION LABEL	1				
22	114301-4/8	VERTICAL-SLIDE	1				
23		HSF M8*20	3				