

SHARP

HORIZONTAL BORING & MILLING MACHINE

Model: KHM-140

PARTS LIST

SPINDLE HEAD (1)

Item	Parts No.	Name	Q'ty	Remark
1	H-4306	Spindle head	1	
2		Taper roller bearing	1	32213/P5
3		Hex. socket screw	6	M5x0.8Px20L
4	H-4337	Washer	1	
5	H-437	Spur gear	1	60T
6		Parallel key	1	10x8x100L
7	H-438	Spur gear	1	27T
8	H-4333	Spacing ring	1	
9		Roller bearing	1	N210
10	H-4336	Cover	1	
11	H-4334-1	Spacing ring	1	
12		C – Snap	1	S85
13	H-4335	Spacing ring	1	
14	C-53	Bearing nut	1	AN10
15		Bearing washer	1	AW10
16	H-4462	Washer	1	
17		C – Snap	1	S42
18		Hex. socket screw	6	M8x1.25Px25L
19	H-4347-1	Bearing housing	1	
20		Parallel key	1	10x8x16L
21		Hex. socket screw	2	M8x1.25Px20L
22	H-4387	Adjust plate	1	
23		Hex. socket screw	1	M8x1.25Px50L
24		Flat washer	1	M8
25		Steel ball	6	φ 8
26		Ball bearing	6	6207
27	H-4413	Spring	2	
28	H-4322	Spacing ring	1	

SPINDLE HEAD (1)

Item	Parts No.	Name	Q'ty	Remark
29		C - Snap	1	S52
30	H-469	Spur gear	1	50T
31	H-468	Spur gear	1	35T
32		Parallel key	1	10x8x48L
33		Hex. socket screw	1	M12x1.75Px20L
34		Spring washer	1	M12
35		Ball bearing	1	6306
36	H-4345	Motor seat	1	
37	H-4357	Pulley	1	
38		Bearing washer	1	AW06
39	K-144	Bearing nut	1	AN06
40	H-4325	Spacing ring	1	
41		Motor	1	5.5KW-6P
42		Hex. head bolt	4	M14x2Px35L
43		Spring washer	4	M14
44	H-4342	Bearing cover	2	
45		Parallel key	1	7x7x48L
46	H-4362	Oil pipe seat	1	
47	H-4364	Oil pipe	1	
48		Hex. socket screw	14	M8x1.25Px30L
49	H-4356	Pulley	1	
50	H-4339	Cover	1	
51		Hex. socket screw	12	M6x1Px25L
52	H-454	Washer	1	
53		Hex. socket screw	6	M8x1.25Px30L
54	H-4343	Cover	1	
55	H-463	Spur gear	1	19T
56		Parallel key	1	7x7x55L

SPINDLE HEAD (1)

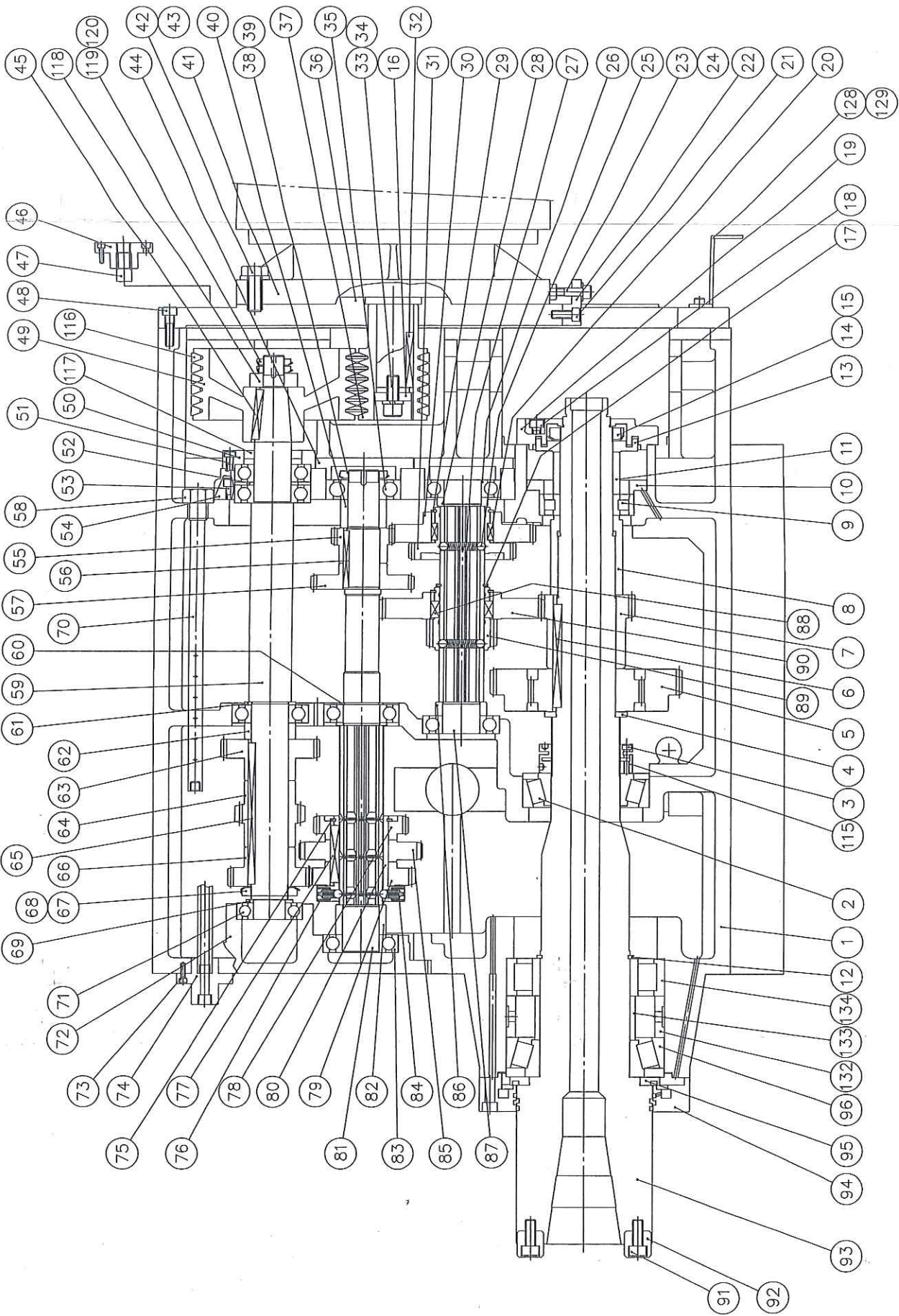
Item	Parts No.	Name	Q'ty	Remark
57	H-462	Spur gear	1	34T
58	H-4363	Oil pipe seat	1	
59	H-4398	Shaft	1	
60		C - Snap	1	S35
61	H-454	Washer	2	
62	H-4327	Spacing ring	1	
63	H-4399	Spur gear	1	32T
64	H-4400	Spur gear	1	21T
65		Parallel key	1	7x7x136L
66	H-4401	Spur gear	1	26T
67		Bearing washer	1	AW07
68	C-35	Bearing nut	1	AN07
69	H-451	Washer	1	
70	H-4365	Oil pipe	1	
71		Ball bearing	1	6206
72	H-4341	Bearing housing	1	
73		Hex. Socket screw	6	M4x0.7Px15L
74	H-4361	Oil pipe seat	1	
75		C - Snap	1	S52
76	H-460	Bolt	2	
77		Parallel key	1	10x8x55L
78	H-4407	Spur gear	1	31T
79	H-4405	Spur gear	1	37T
80	H-4404	Sleeve	1	
81	H-4403	Shaft	1	
82	H-4408	Spacing ring	1	
83		Ball bearing	1	6207
84	H-931	Spring	2	

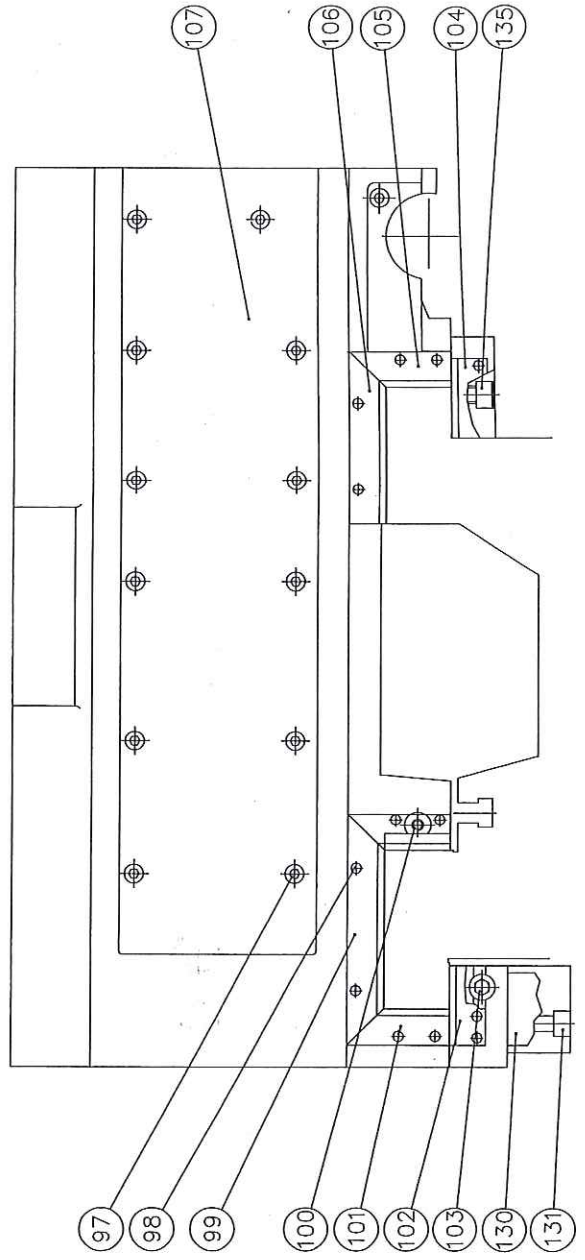
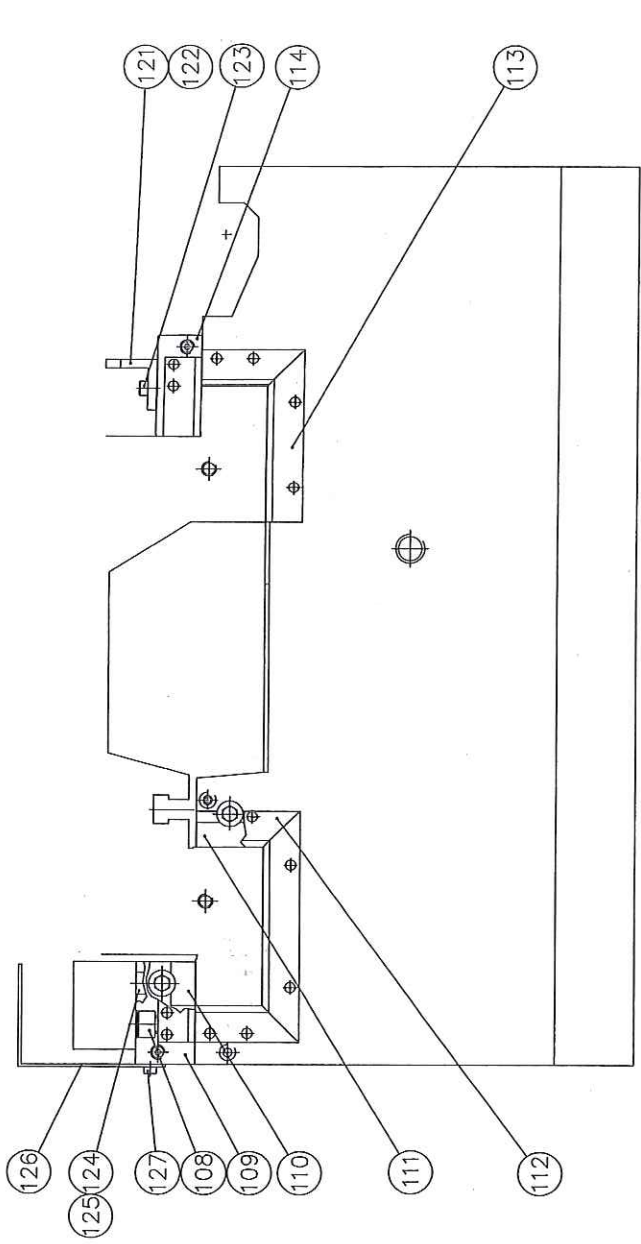
SPINDLE HEAD (1)

Item	Parts No.	Name	Q'ty	Remark
85	H-4406	Spur gear	1	42T
86	H-4321	Spacing ring	1	
87	H-4320	Shaft	1	
88		Parallel key	1	10x8x16L
89	H-471	Spur gear	1	19T
90	H-472	Spur gear	1	52T
91		Hex. socket screw	2	M10x1.5Px25L
92	H-432	Key	2	
93	H-4330	Spindle	1	
94	H-4340	Spindle cover	1	
95	H-4331	Spacing ring	1	
96		Taper roller bearing	1	32217/P5
97		Hex. socket screw	12	M8x1.25Px60L
98		Round head screw	28	M4x0.7Px12L
99	H-4368	Wiper	2	
100	H-4374	Wiper	1	
101	H-4372	Wiper	2	
102	H-4376	Wiper	2	
103	R-158	Adjust bolt	4	
104	H-4375	Wiper	2	
105	H-4369	Wiper	2	
106	H-4373	Wiper	1	
107	H-4366	Relief oil seat	1	
108		Hex. socket screw	7	M12x1.75Px50L
109	H-4377	Fixed plate	1	
110	H-4380	Gib	1	
111	H-4379	Gib	1	
112	H-4370	Wiper	1	

SPINDLE HEAD (1)

Item	Parts No.	Name	Q'ty	Remark
113	H-4371	Wiper	1	
114	H-4378	Fixed plate	1	
115		Lock nut	1	YSFM65x2P
116		Belt	6	3V265
117		Oil seal	1	35x55x8
118	H-4397	Spacing ring	1	
119	H-791	Bearing nut	1	AN04
120		Bearing washer	1	AW04
121	H-4381	Dog	1	
122	H-4382	Dog	1	
123		Hex. socket screw	4	M6x1Px15L
124	H-4383	Fixing shaft	1	
125	H-4384	Fixing shaft	1	
126	H-4395	Bracket	1	
127		Hex. socket screw	3	M5x0.8Px20L
128	H-4391	Bracket	1	
129		Hex. socket screw	1	M6x1Px20L
130		Hydraulic cylinder	2	
131		Hex. socket screw	4	M10x1.25Px50L
132	H-4414	Spacing ring	1	
133	H-4415	Spacing ring	1	
134		Roller bearing	1	NU2217
135		Hex. socket screw	7	M12x1.75Px40L
136				
137				
138				
139				
140				





SPINDLE HEAD (2)

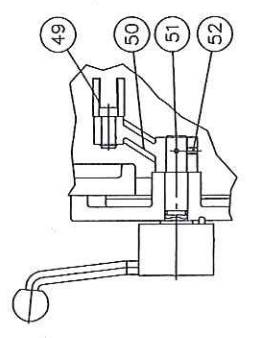
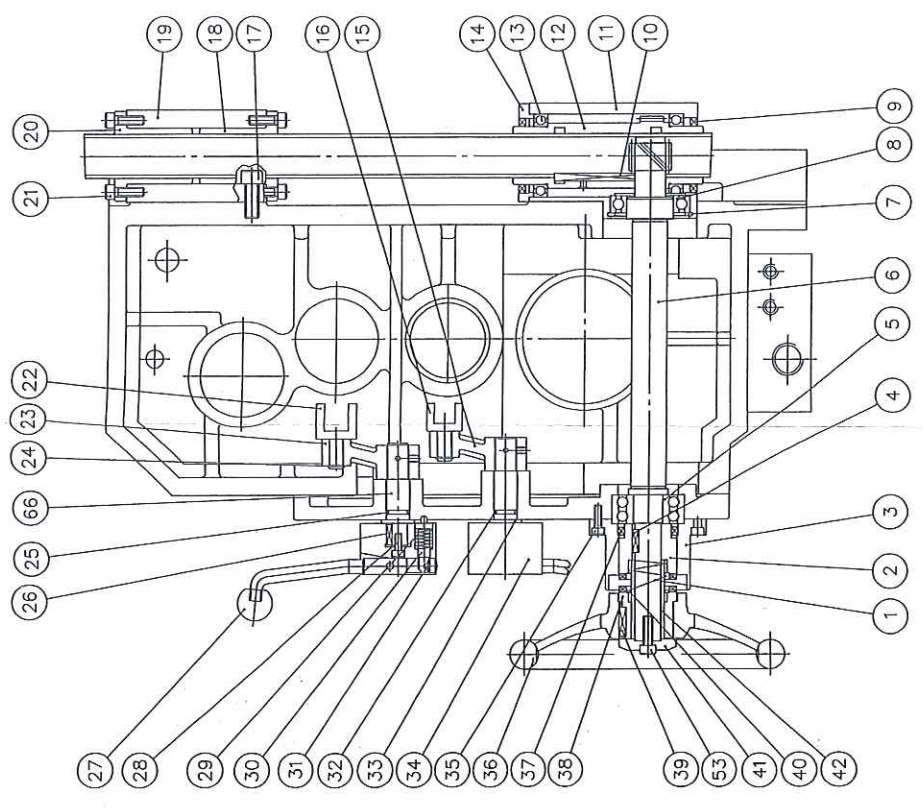
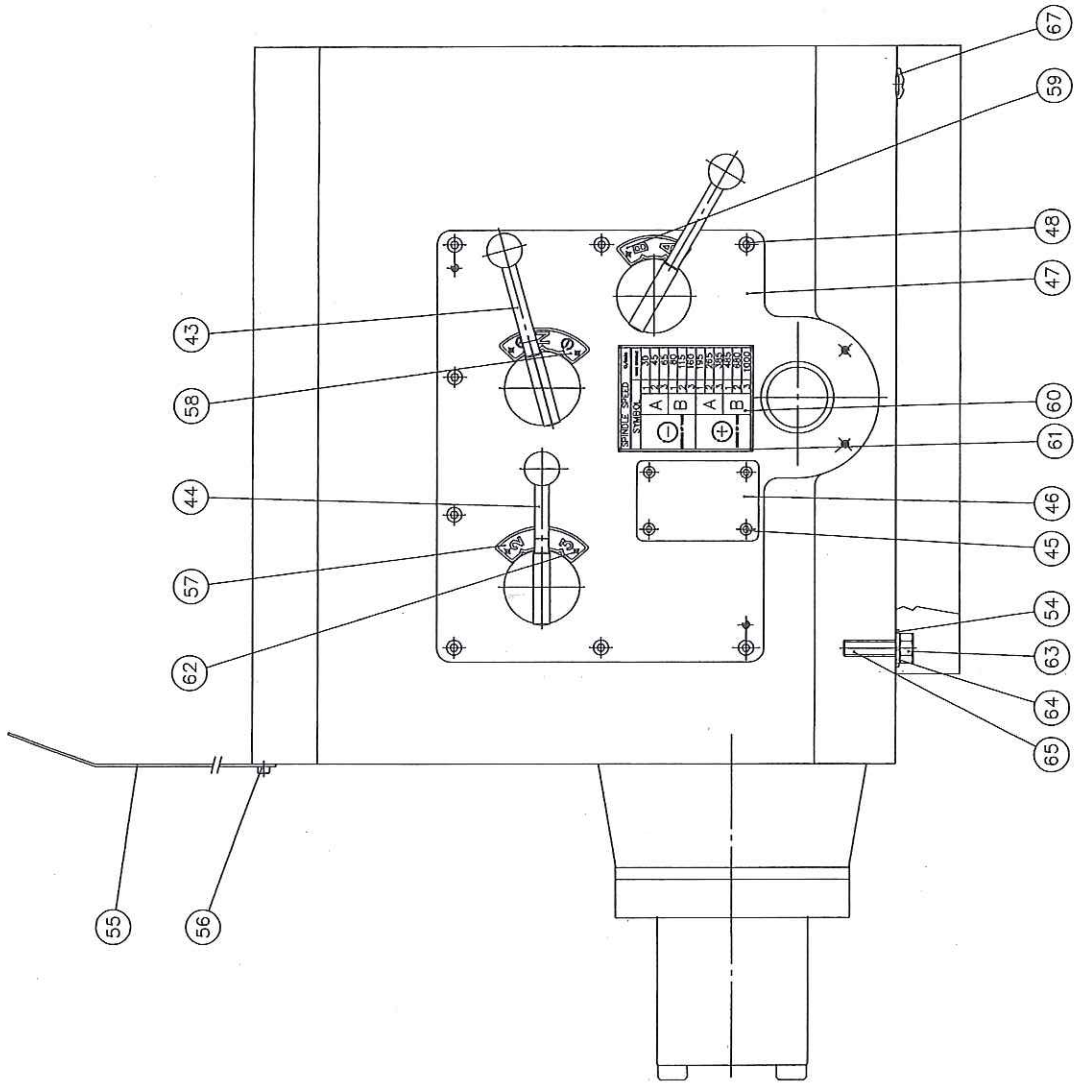
Item	Parts No.	Name	Q'ty	Remark
1	T-1136	Spring	1	
2	T-1134	Clutch	1	
3	T-1127-1	Graduated ring	1	
4		Parallel key	1	5x5x20L
5		Ball bearing	1	5305
6	H-4315	Shaft	1	
7		C – Snap	1	R68
8		Ball bearing	1	6008
9		Oil seal	2	SC50x65x6
10		Parallel key	1	7x7x83L
11	H-4309	Bearing housing	1	
12	H-4307	Helical gear	1	
13		Ball bearing	2	6910
14	H-4308	Cover	1	
15	H-489	Shift fork seat	1	
16	H-488	Shift fork	1	
17		Hex. socket screw	4	M12x1.75Px30L
18	H-4349	Nut	1	
19	H-4310	Leader screw seat	1	
20	H-4350	Nut	1	
21		Hex. socket screw	5	M8x1.25Px25L
22	H-490	Shift fork	1	
23	H-489	Shift fork seat	1	
24		C – Snap	3	S12
25		O ring	1	P16
26		Parallel key	3	5x5x18L
27		Handle	3	
28		Hex. socket screw	3	M6x1Px16L

SPINDLE HEAD (2)

Item	Parts No.	Name	Q'ty	Remark
29	H-4353	Spring	3	
30	H-4354	Shift fork	3	
31	H-4355	Pin	3	
32		O ring	2	P16
33	H-4328	Speed change lever	2	
34	H-4351	Speed change lever seat	3	
35		Hex. socket screw	4	M6x1Px20L
36	T-1147	Handle wheel	1	
37		Oil seal	1	SC40x52x7
38	T-1146	Clutch	1	
39		Parallel key	1	6x6x25L
40	H-349	Washer	1	
41	H-4389	Washer	1	
42	T-1129	Sleeve	1	
43	H-4352	Handle lever	2	
44	H-4386	Handle lever	1	
45		Hex. socket screw	4	M6x1Px12L
46	H-4329	Cover	1	
47	H-4409	Cover	1	
48		Hex. socket screw	16	M8x1.25Px30L
49	H-4410	Shift fork	1	
50	H-477	Shift fork seat	1	
51		Spring pin	3	∅5x30L
52		Hex. socket set screw	3	M6x1Px8L
53		Hex. socket screw	1	M8x1.25Px25L
54		O ring	1	P26
55	H-4396	Cover	1	
56		Hex. socket screw	2	M6x1Px20L

SPINDLE HEAD (2)

Item	Parts No.	Name	Q'ty	Remark
57	H-4392	Name plate	1	
58	H-4394	Name plate	1	
59	H-4393	Name plate	1	
60	H-4390	Name plate	1	
61		Rivet	4	Ø3
62		Rivet	6	Ø3
63		Hex. nut	1	M14x1.5P
64		Spring washer	1	M14
65	H-4388	Bolt	1	
66	H-4311	Speed change lever	1	
67		O ring	3	P14
68				
69				
70				
71				
72				
73				
74				
75				
76				
77				
78				
79				
80				
81				
82				
83				
84				

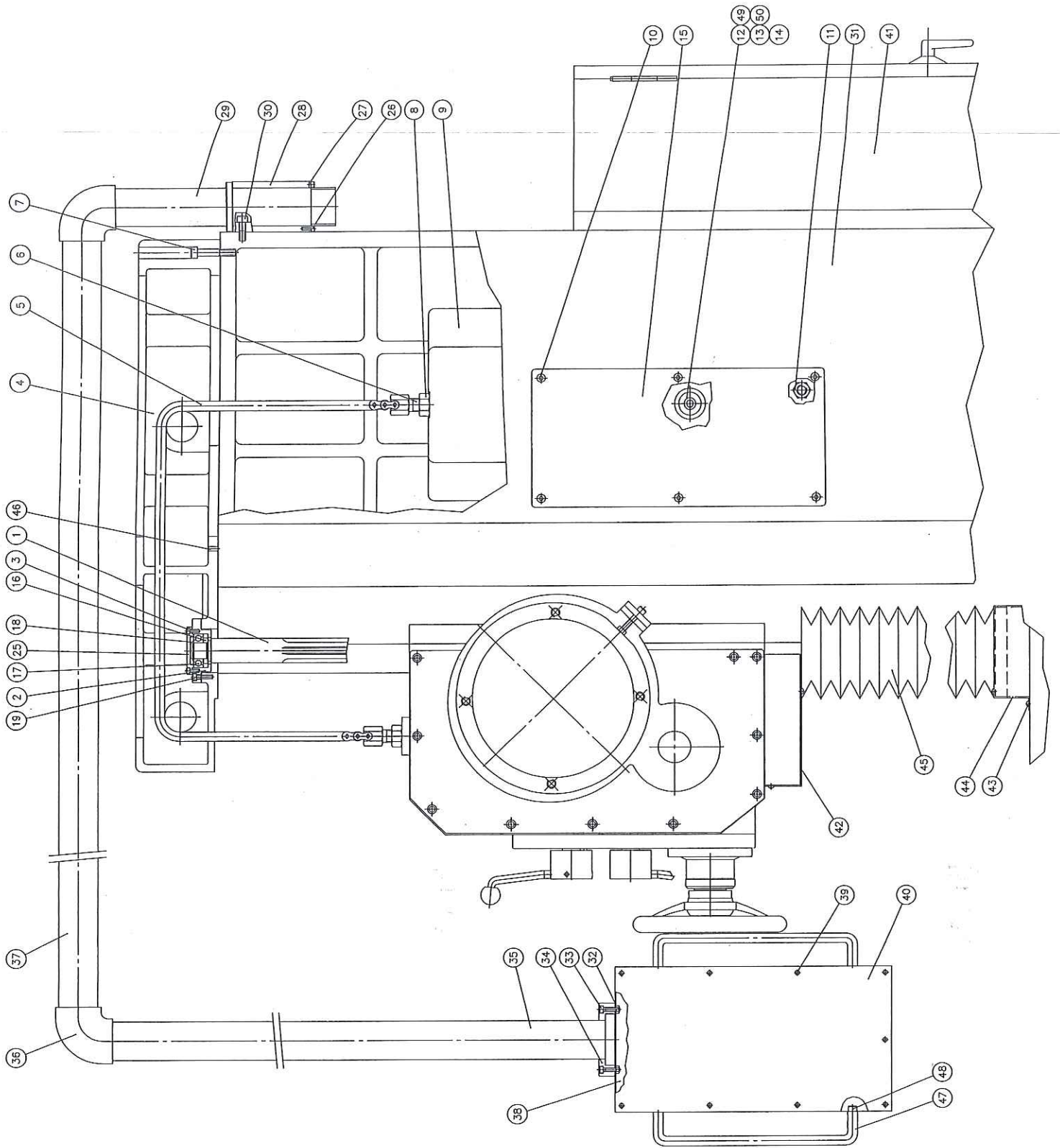


COLUMN

Item	Parts No.	Name	Q'ty	Remark
1	C-2154	Leader Screw	1	
2	C-2147	Bearing housing	2	
3		Hex. socket bolt	4	M5x0.8Px8L
4	C-2149	Top cover	1	
5		Chain	1	RS50-2x137P
6	C-179	Hex. bolt	2	
7		Hex. socket screw	8	M10x1.5Px60L
8		Hex. nut	2	M20x2.5P
9	C-2150	Balance weight	1	
10		Hex. socket screw	6	M8x1.25Px25l
11		Hex. socket screw	2	M16x2Px130L
12	C-384	Fixed shaft	1	
13	C-385	Washer	2	
14		Hex. socket screw	1	M12x1.75Px30L
15	C-85	Cover	1	
16	C-2144	Spacing ring	2	
17		Ball bearing	5	6205zz
18		C - Snap	1	S25
19		Hex. socket screw	4	M6x1Px25L
20	C-974	Shaft	2	
21	C-175	Sprocket	2	
22		C - Snap	2	S25
23	G-155	Plug	4	
24		C - Snap	2	R52
25	C-2148	Cover	1	
26		Hex. socket screw	2	M5x0.8Px15L
27	E-1080	Cover	1	
28	E-1075	Supporter	1	

COLUMN

Item	Parts No.	Name	Q'ty	Remark
29	E-1074	Pipe	1	
30		Hex. socket screw	4	M10x1.5Px30L
31	C-2143	Column	1	
32		Hex. nut	2	M6x1P
33		Hex. socket screw	2	M6x1Px30L
34	E-1071	Sleeve	1	
35	E-1072	Pipe	1	
36		Elbow joint	2	PT2"
37	E-1073	Pipe	1	
38	E-1069	Operation box	1	
39		Round head screw	8	M4x0.7Px8L
40	E-1070-1	Name plate	1	
41	E-1087	Cabinet	1	
42	C-2151	Bracket	1	
43		Round head screw	11	M5x0.8Px10L
44	C-2152	Bracket	1	
45		Dust shield	1	
46	G-784	Taper pin	2	
47	E-1009	Handle	2	
48		Hex. socket screw	4	M8x1.25Px15L
49	G-787	Cover	1	
50		Hex. Socket screw	3	M6x1Px10L
51				
52				
53				
54				
55				
56				



GEAR BOX

Item	Parts No.	Name	Q'ty	Remark
1	G-794	Gear box	1	
2	G-763	Bearing housing	2	
3	G-791	Fixed block	2	
4		Ball bearing	4	7206B
5	G-761	Cover	2	
6		Oil seal	2	SC45x60x9
7		Hex. socket screw	4	M4x0.7Px10L
8	G-701	Shaft	1	
9		Taper pin	2	#6x50L
10	G-707	Washer	2	
11		Hex. socket screw	8	M8x1.25Px25L
12	G-706	Spur gear	1	27T
13	G-122	Washer	1	
14	H-791	Bearing nut	1	AN04
15		Bearing washer	1	AW04
16	G-757	Bevel gear	1	
17	G-758	Spur gear	1	
18	H-533	Washer	1	
19	G-760	Shaft	1	
20		Parallel key	1	7x7x30L
21		Parallel key	1	8x7x50L
22		Hex. socket screw	1	M8x1.25Px20L
23		Spring washer	1	M8
24	G-736	Washer	2	
25	G-745	Bevel gear	1	18T
26		Parallel key	1	5x5x20L
27	G-467	Washer	1	
28		Ball bearing	4	6205

GEAR BOX

Item	Parts No.	Name	Q'ty	Remark
29	G-743-1	Bearing housing	1	
30		Ball bearing	1	6305
31		Hex. Socket screw	4	M6x1Px20L
32		Oil seal	1	SC40527
33		Parallel key	1	5x5x20L
34	T-1134	Clutch	1	
35	T-1127-1	Graduated ring	1	
36	T-1136	Spring	1	
37	H-349	Washer	1	
38	T-1146	Clutch	1	
39		Parallel key	1	6x6x25L
40	T-1147	Hand wheel	1	
41	H-4389	Washer	1	
42		Hex. socket screw	1	M8x1.25Px30L
43	T-1129	Sleeve	1	
44	G-806	Bearing cover	1	
45	G5-1023	Washer	1	
46	G-802	Spur gear	1	
47		Parallel key	2	7x7x18L
48	S-543	Washer	1	
49	G-803	Bearing cover	1	
50	G5-1023	Washer	1	
51	G-822	Spur gear	1	
52		Parallel key	1	7x7x30L
53	G-804	Bearing cover	1	
54		C – Snap	1	S30
55	G-801	Shaft	1	
56	G-807	Shaft	1	

GEAR BOX

Item	Parts No.	Name	Q'ty	Remark
57	G-805	Bearing cover	1	
58	G5-1023	Washer	1	
59		Parallel key	2	7x7x18L
60		Ball bearing	1	6204zz
61	G-784	Taper pin	2	
62		Hex. socket screw	4	M12x1.75Px40L
63	G-800	Bearing cover	1	
64		Pump	1	AM2A
65		Hex. socket set screw	1	M6x1Px30L
66		Hex. nut	1	M6
67	K-105	Bearing nut	2	AN05
68		Bearing washer	2	AW05
69	G-121	Worm gear	1	
70	G-135	Washer	2	
71		C-Snap	2	S25
72		Parallel key	1	7x7x18L
73	G-820	Spur gear	1	
74	G-155	Plug	4	
75		O ring	4	P40
76	G-369	Spacing ring	1	
77		Ball bearing	5	6205
78		Hex. socket screw	17	M10x1.5Px45L
79	G-809	Bearing cover	1	
80		Parallel key	2	8x7x50L
81	G5-1002	Washer	2	
82	G-821	Spur gear	1	
83	G5-1021	Washer	2	
84		Needle bearing	1	NA4906

GEAR BOX

Item	Parts No.	Name	Q'ty	Remark
85		Hex. socket screw	2	M5x0.8Px15L
86		Hex. nut	2	M5
87		Magnetic clutch	2	ESG115FW
88	G-823	Spur gear	1	
89	G-813	Shaft	1	
90	G-708	Washer	1	
91	G-769	Bearing cover	1	
92		Parallel key	1	7x7x30L
93	K-105	Bearing nut	2	AN05
94		Bearing washer	2	AW05
95		Ball bearing	1	6205
96	G-705	Bevel gear	1	
97	G-720	Sleeve	1	
98		Parallel key	1	10x8x20L
99	G-704	Spur gear	1	
100		Ball bearing	1	6016
101		Ball bearing	1	6205
102		Flat head screw	12	M5x0.8Px25L
103	H-1468	Spacing ring	2	
104	G-788	Coupling	2	
105		Parallel key	1	8x7x50L
106		Magnetic clutch	2	ESG115FW
107	G-756	Shaft	1	
108	G-762	Washer	1	
109		Oil seal	1	SC45609
110	G-775	Bearing cover	1	
111		Flat head screw	2	M4x0.7Px10L
112		Hex. socket screw	6	M8x1.25Px25L

GEAR BOX

Item	Parts No.	Name	Q'ty	Remark
113	G-814	Panel	1	
114	G-795	Bearing cover	1	
115		Hex. Socket set screw	1	M10x1.5Px25L
116	G-799	Bearing cover	1	
117		Hex. Socket screw	8	M10x1.5Px25L
118		Hex. Socket screw	3	M10x1.5Px200L
119	G-818	Motor seat	1	
120		Hex. Socket screw	2	M6x1Px10L
121		Hex. Socket screw	4	M8x1.25Px30L
122		Servo motor	1	SGMGH-20A
123	G-817	Cover	1	
124		Hex. Socket screw	4	M12x1.75Px30L
125		Spring washer	4	M12
126		Oil seal	1	SC55759
127		Angular ball bearing	1	7011AW
128		Parallel key	1	10x8x60L
129	G-819	Spacing ring	1	
130	G-826	Worm	1	
131		Angular ball bearing	1	7204
132	G-111	Plate	1	
133		Hex. Nut	1	M10
134		Hex. Socket screw	8	M6x1Px10L
135		Hex. Socket screw	4	M8x1.25Px25L
136	G-812	Fixed seat	2	
137		Ball bearing	1	6204
138	H-791	Bearing nut	1	AN04
139		Bearing washer	1	AW04
140	H-725	Bearing housing	1	

GEAR BOX

Item	Parts No.	Name	Q'ty	Remark
141	G-752	Sleeve	1	
142	G-753	Bevel gear	1	
143		Ball bearing	1	5205
144		C-Snap	1	R52
145	G-780	Spacing ring	1	
146		Magnetic clutch	1	ESG095FW
147		Parallel key	1	8x7x50L
148	G-755	Bearing housing	1	
149		Ball bearing	1	5305
150	G-790	Fixed block	1	
151		Ball bearing	1	6006
152	G-815	Spacing ring	1	
153	G-744	Shaft	1	
154	G-824	Motor seat	1	
155		Servo motor	1	SGMGH-13A
156		Hex. Socket screw	4	M8x1.25Px30L
157		Spring washer	4	M8
158		Parallel key	1	6x6x25L
159		Oil seal	1	TC55358
160		Angular ball bearing	1	7207B
161	G-825	Spacing ring	1	
162	G-816	Worm	1	
163				
164				
165				
166				
167				
168				

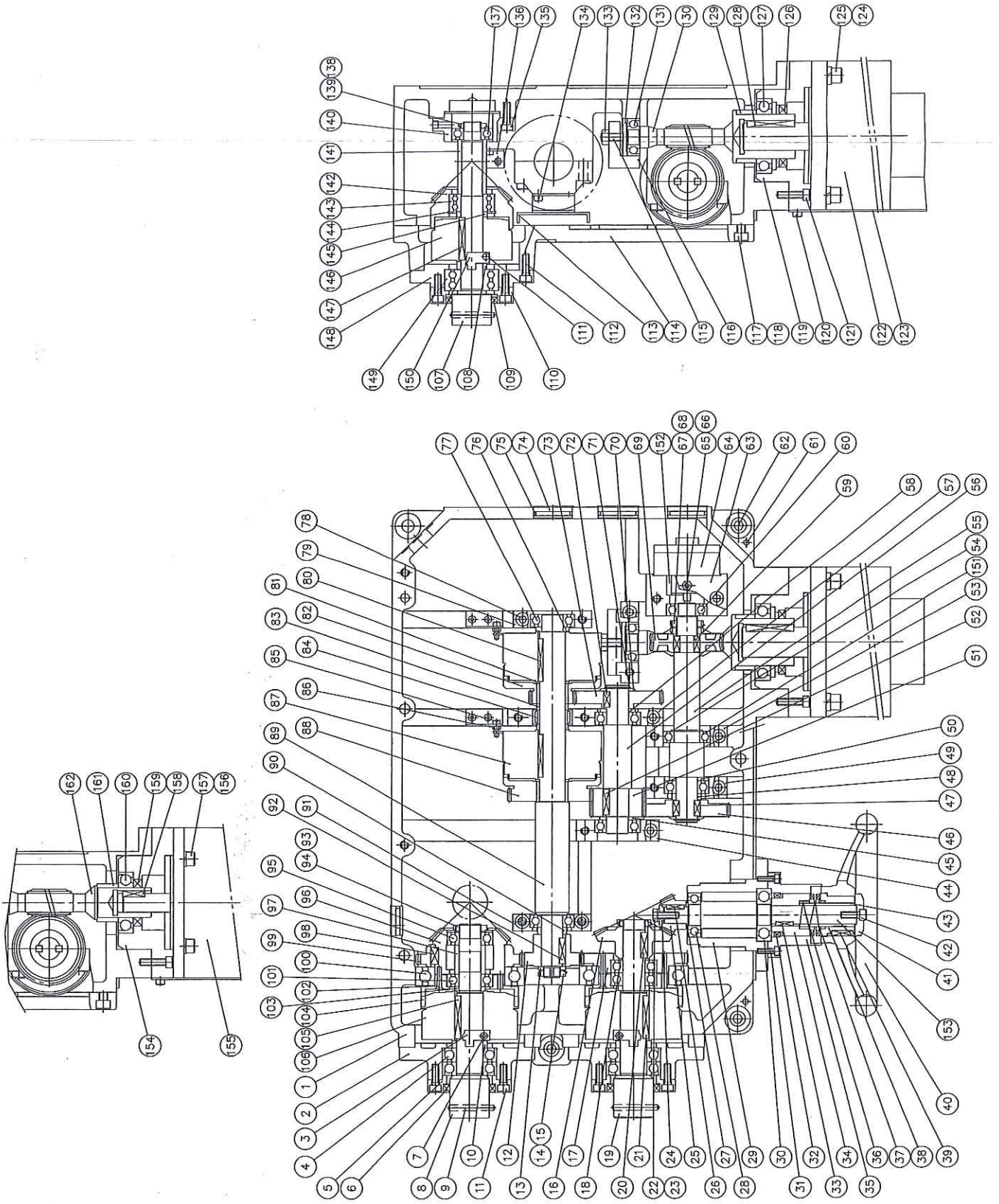


TABLE UNITS (1)

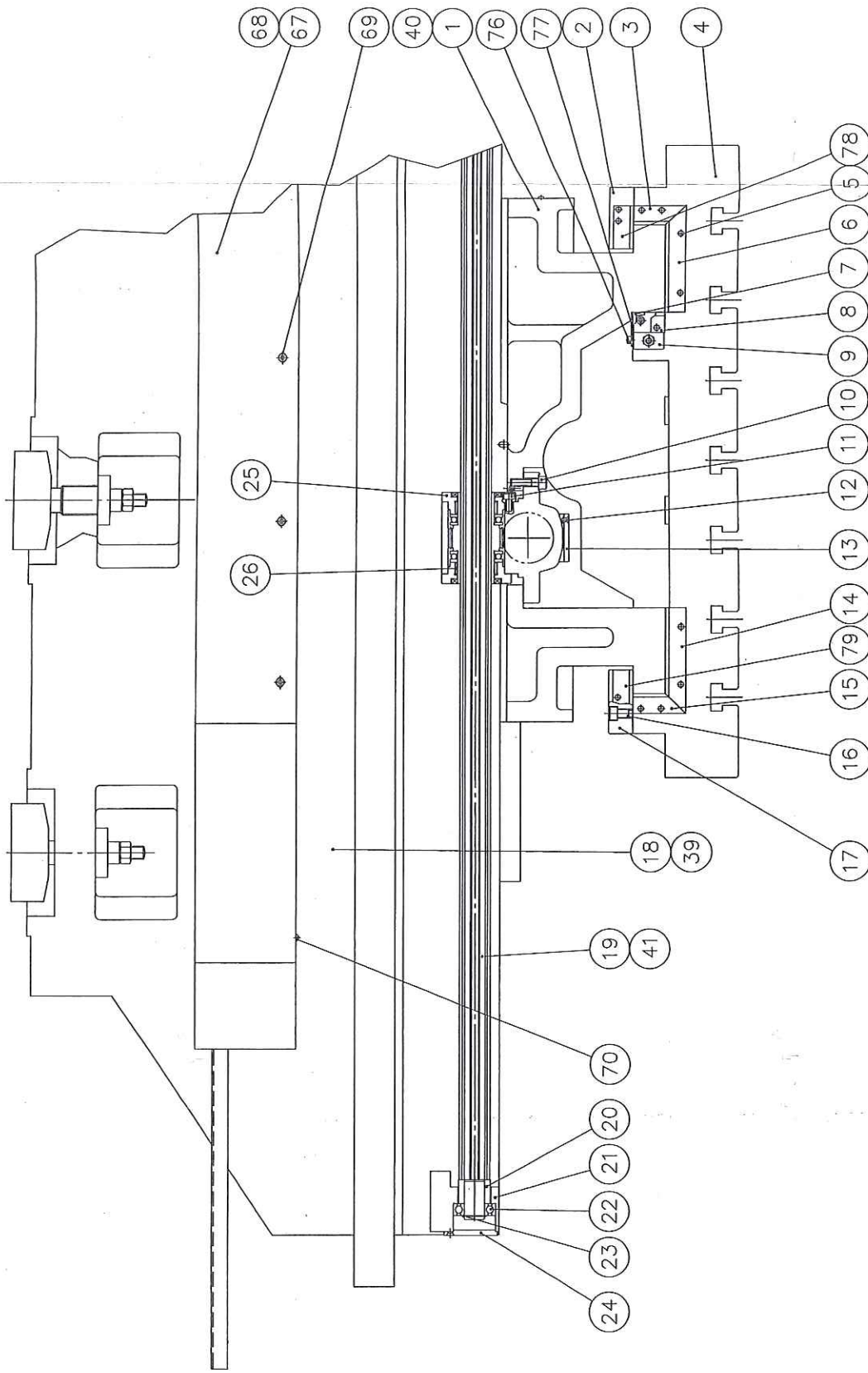
Item	Parts No.	Name	Q'ty	Remark
1	S-2142	Saddle	1	HB140
2	T-1143	Table fixed block	2	
3	T-1137	Wiper	2	
4	T-1114	Table	1	
5		Round head screw	56	M4x0.7Px12L
6	T-1141	Wiper	2	
7	T-1144	Gib	1	
8	T-1138	Wiper	2	
9	T-1148	Fixed block	2	
10		Hex. socket screw	4	M10x1.5Px35L
11		Hex. socket screw	16	M8x1.25Px16L
12		Flat head screw	4	M5x0.8Px16L
13	S-2149	Cover	1	
14	T-1139	Wiper	2	
15	T-1140	Wiper	2	
16		Hex. socket screw	24	M10x1.5Px40L
17	T-1142	Table fixed block	2	
18	B-1063	Bed	1	HB140
19	T-1124	Shaft	1	HB140
20	T-1126	Sleeve	2	
21	S-2143	Bearing housing	1	
22		Ball bearing	2	6205zz
23		C - Snap	2	S25
24	S-2144	Cover	2	
25	S-2147	Cover	2	
26		Needle bearing	4	TLA4516z
27	T-1145	Gib	1	
28		Hex. socket screw	4	M10x1.5Px40L

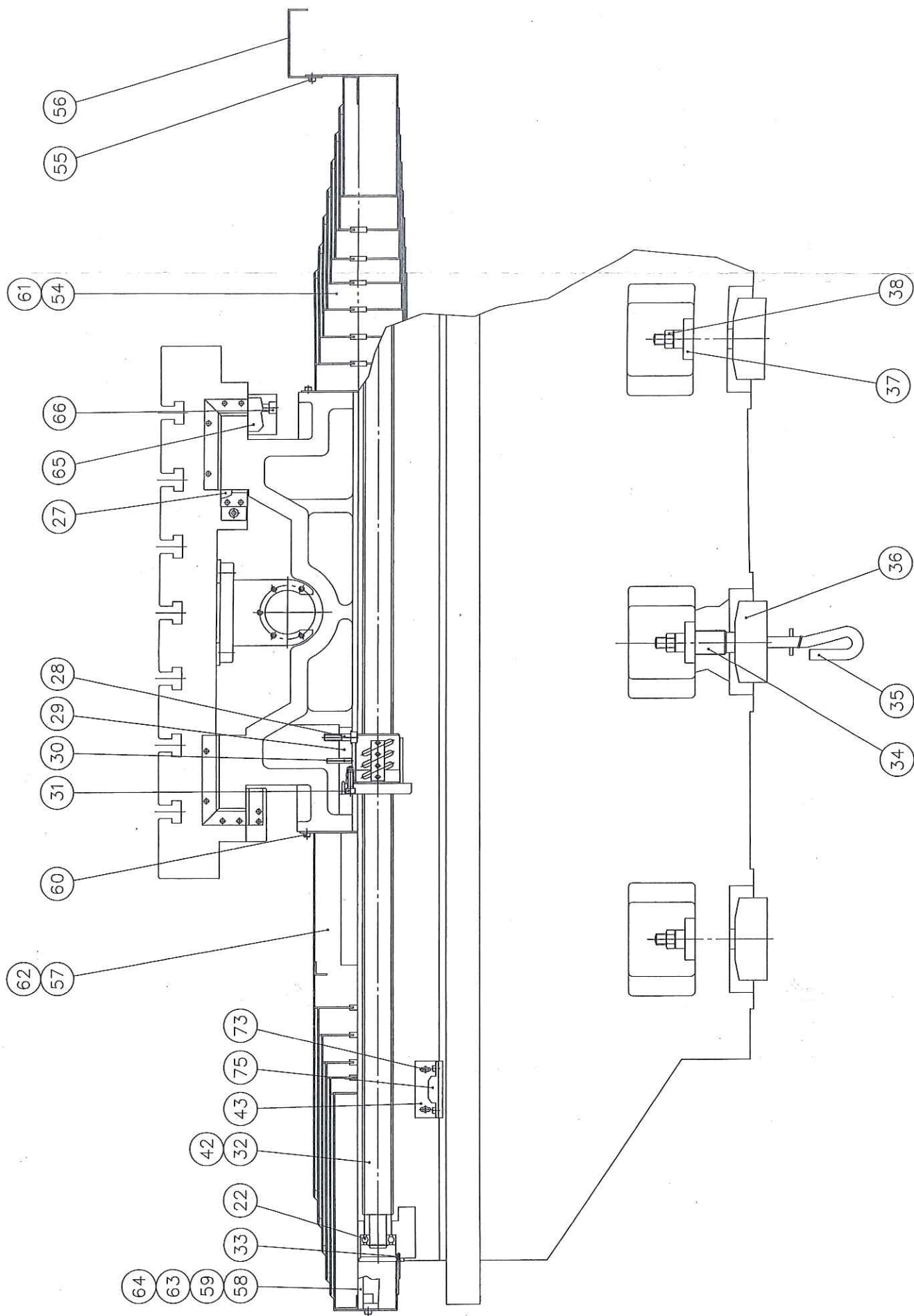
TABLE UNITS (1)

Item	Parts No.	Name	Q'ty	Remark
29	S-2151	Nut seat	1	
30	G-784	Taper pin	4	
31		Hex. socket screw	5	M8x1.25Px25L
32	S-2150	Ball screw	1	HB140
33		Flat head screw	8	M4x0.7Px10L
34	B-11	Adjust bolt	11	
35	B-10	Foundation bolt	11	
36	B-1073	Foundation block	11	
37	B-230	Adjust nut	11	
38		Hex. nut	11	M16x2P
39	B-1068	Bed	1	HB120
40	S-2160	Saddle	1	HB120
41	T-1151	Shaft	1	HB120
42	S-2159	Ball screw	1	HB120
43	B-1065	Dog seat	2	
44		Hex. socket screw	4	M10x1.5Px30L
45	E-1081	Bracket	1	
46	E-106	Connector pipe	1	
47		Elbow	2	PT1 1/4"
48	E-1077	Connector pipe	1	
49	E-1076	Pipe	1	
50		Hex. socket screw	2	M6x1Px15L
51	E-1078	Sleeve	1	
52	E-1079	Plate	1	
53		Hex. socket set screw	1	M6x1Px12L
54	S-2161	Telescopic cover	1	
55		Hex. socket screw	18	M6x1Px20L
56	S-2169	Cover	1	

TABLE UNITS (1)

Item	Parts No.	Name	Q'ty	Remark
57	S-2162	Telescopic cover	1	
58	S-2163	Bracket	1	
59	S-2164	Bracket	1	
60		Hex. socket screw	24	M6x1Px15L
61	S-2170	Telescopic cover	1	HB120
62	S-2171	Telescopic cover	1	HB120
63	S-2172	Bracket	1	HB120
64	S-2173	Bracket	1	HB120
65		Oil cylinder	2	
66		Hex. socket screw	4	M10x1.5Px50L
67	B-1069	Cable box	1	HB140
68	B-1072	Cable box	1	HB120
69		Hex. socket screw	4	M6x1Px15L
70		Round head screw	14	M5x0.8Ppx10L
71		Hex. bolt	10	M24x3Px100L
72		Washer	10	M24
73		Hex. socket screw	8	M5x0.8Px20L
74		Round head screw	16	M4x0.7Px40L
75		Dog	2	
76		Hex. socket screw	2	M4x0.7Px10L
77	S-2178	Fixed plate	2	
78	H-4375	Wiper	2	
79	H-4376	Wiper	2	
80				
81				
82				
83				
84				





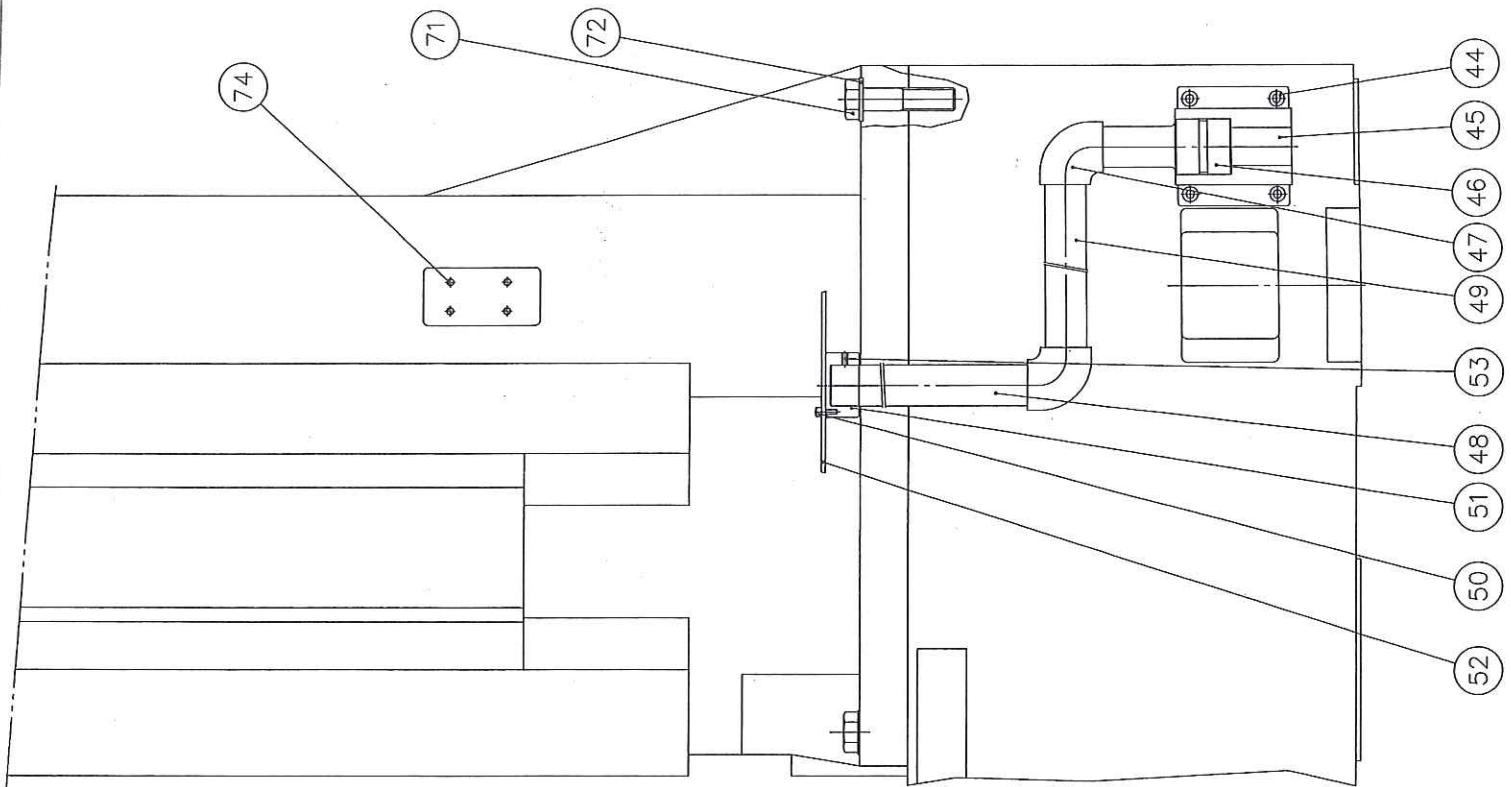


TABLE UNITS (2)

Item	Parts No.	Name	Q'ty	Remark
1	T-1122	Cover	1	
2	T-1128	Helical gear	1	
3		Ball bearing	3	6205
4	T-1133-1	Bearing housing	1	
5		Hex. socket screw	5	M8x1.25Px25L
6		Hex. socket screw	4	M10x1.5Px40L
7	G-784	Taper pin	6	
8	T-1135	Nut seat	1	
9	T-1125	Ball screw	1	
10		Oil seal	1	SC30x45x8
11	T-1119	Bearing housing	1	
12	T-1121	Washer	2	
13	T-1115	Spur gear	2	
14		Hex. socket screw	7	M8x1.25Px45L
15		Key	2	7x7x16L
16		Hex. socket screw	4	M6x1Px15L
17	T-1116	Spur gear	1	
18	T-1120	Washer	1	
19	T-1118	Shaft	1	
20		C - Snap	1	S20
21	T-1117	Cover	1	
22	T-1132	Cover	1	
23		Hex. socket screw	4	M6x1Px20L
24		Oil seal	1	SC32x45x8
25		Hex. socket screw	5	M10x1.5Px30L
26		Hex. socket screw	12	M10x1.5Px40L
27	B-1066	Adjust plate	1	
28	B-1067	Adjust plate	1	

TABLE UNITS (2)

Item	Parts No.	Name	Q'ty	Remark
29	T-1123	Shaft	1	
30	H-4372	Wiper	2	
31	S-2155	Fixed block	1	
32	S-2156	Fixed block	1	
33		Hex. socket screw	18	M10x1.5Px45L
34	H-4376	Wiper	2	
35	S-2154	Wiper	2	
36	S-2147	Cover	2	
37		Thrust bearing	4	51109
38	S-2145	Gear bracket	1	
39	S-2146	Helical gear	2	
40		Oil seal	4	SC45x62x8
41	R-158	Adjust bolt	2	
42	S-2158	Gib	1	
43	S-2153	Wiper	2	
44	H-4375	Wiper	2	
45	S-2200	Fixed block	1	
46	H-4369	Wiper	2	
47	S-2152	Wiper	2	
48		Parallel key	1	7x7x30L
49		Bearing washer	3	AW05
50	K-105	Bearing nut	3	AN05
51	T-1165	Plug	1	
52		C - Snap	1	S20
53		Ball bearing	1	6204zz
54		Hex. socket screw	4	M8x1.25Px25L
55		Oil level gage	2	
56		Ball bearing	1	6006zz

TABLE UNITS (2)

Item	Parts No.	Name	Q'ty	Remark
57		C - Snap	1	S30
58	T-1130	Drive shaft	1	
59		Parallel key	1	5x5x20L
60		Oil seal	1	SC40x52x7
61	T-1127-1	Graduated ring	1	
62	T-1136	Spring	1	
63	T-1147	Hand wheel	1	
64		Parallel key	1	6x6x25L
65	H-4389	Washer	1	
66	T-1129	Sleeve	1	
67	T-1146	Clutch	1	
68	H-349	Washer	1	
69	T-1134	Clutch	1	
70		Hex. socket screw	4	M6x1Px20L
71		Angular ball bearing	2	7206B
72		Hex. socket screw	4	M5x0.8Px16L
73		Hex. socket set screw	2	M8x1.25Px100L
74		Hex. nut	6	M8x1.25P
75		O ring	1	P41
76		Hex. socket screw	1	M8x1.25Px30L
77	T-1152	Ball screw	1	HB120
78	T-1150	Shaft	1	HB120
79		Oil seal	1	35558
80		Taper roller bearing	2	30205
81	T-1149	Dog seat	1	
82		Hex. socket screw	6	M6x1Px20L
83	H-4381	Dog	1	
84	H-4382	Dog	1	

TABLE UNITS (2)

Item	Parts No.	Name	Q'ty	Remark
85		Hex. nut	4	M6x1P
86	T-1157	Cooling liquid collector	1	
87		Hex. socket screw	12	M6x1Px15L
88		Round head screw	8	M6x1Px10L
89		Hex. socket screw	4	M6x1Px20L
90		Round head screw	9	M5x0.8Px10L
91	T-1158	Cover	1	
92		Hex. socket screw	32	M6x1Px20L
93	T-1155	Bracket	2	HB140
94	T-1153	Telescopic cover	1	HB140
95	T-1156	Bracket	2	HB140
96	T-1154	Telescopic cover	1	HB140
97	T-1163	Cover	1	HB120
98	T-1161	Bracket	2	HB120
99	T-1159	Telescopic cover	1	HB120
100	T-1162	Bracket	2	HB120
101	T-1160	Telescopic cover	1	HB120
102	S-2174	Oil collector	2	
103		Round head screw	8	M5x0.8Px10L
104		Hydraulic cylinder	3	
105		Hex. socket screw	4	M10x1.25Px50L
106		Plug	1	PT1/8
107		Oil level gage	1	26x30
108	S-143	Bolt	2	
109		O ring	2	P18
110	E-1084	Connection box	1	
111		Round head screw	4	M5x0.8Px10L
112		Round head screw	4	M4x0.7Px8L

TABLE UNITS (2)

Item	Parts No.	Name	Q'ty	Remark
113		Hex. socket screw	2	M4x0.7Px10L
114	S-2178	Fixed plate	1	
115	S-2179	Fixed plate	1	
116		Hex. socket screw	4	M6x1Px10L
117	S-2165	Bracket	1	
118		Hex. socket screw	4	M6x1Px10L
119	H-4391	Bracket	1	
120	S-2167	Bracket	1	
121		Hex. socket screw	2	M6x1Px10L
122	S-2201	Fixed block	1	
123	S-2202	Fixed block	1	
124				
125				
126				
127				
128				
129				
130				
131				
132				
133				
134				
135				
136				
137				
138				
139				
140				

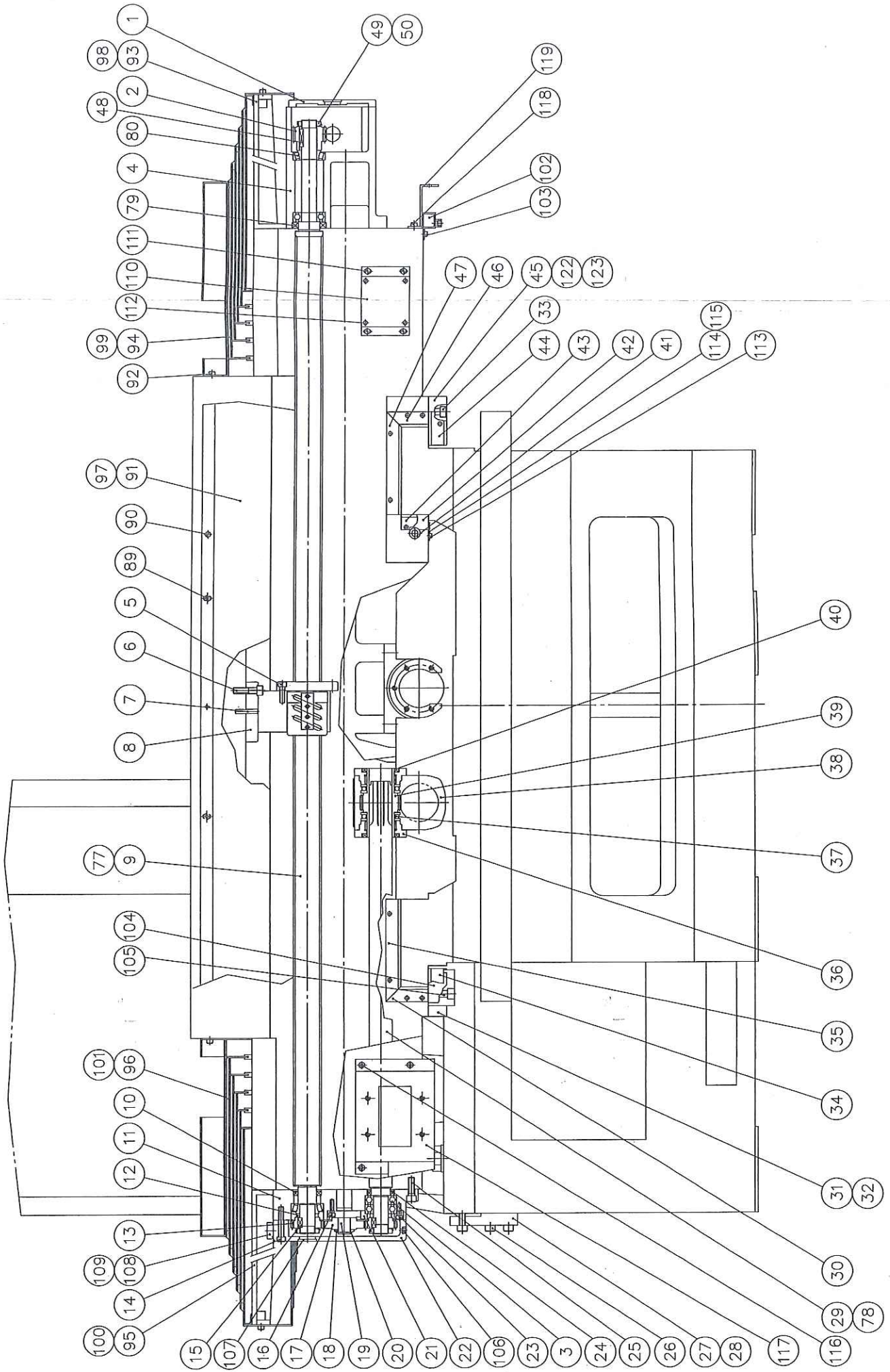
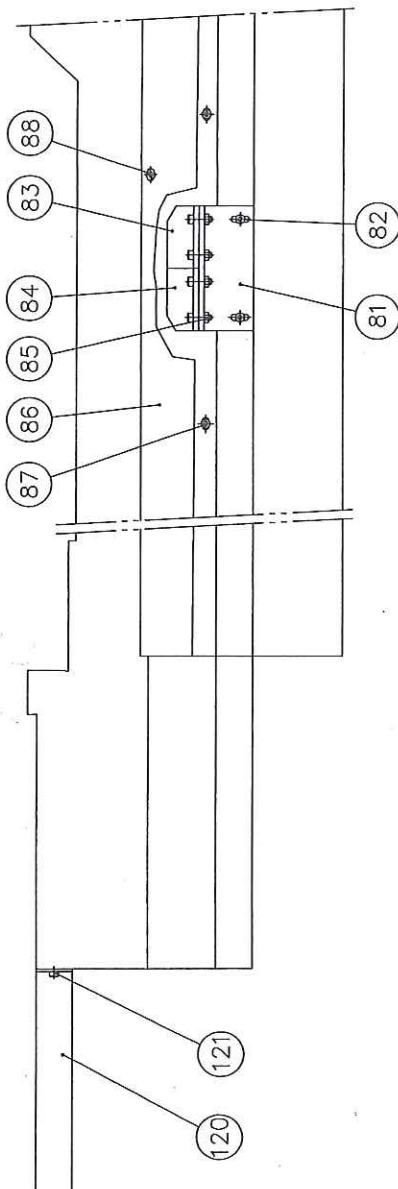
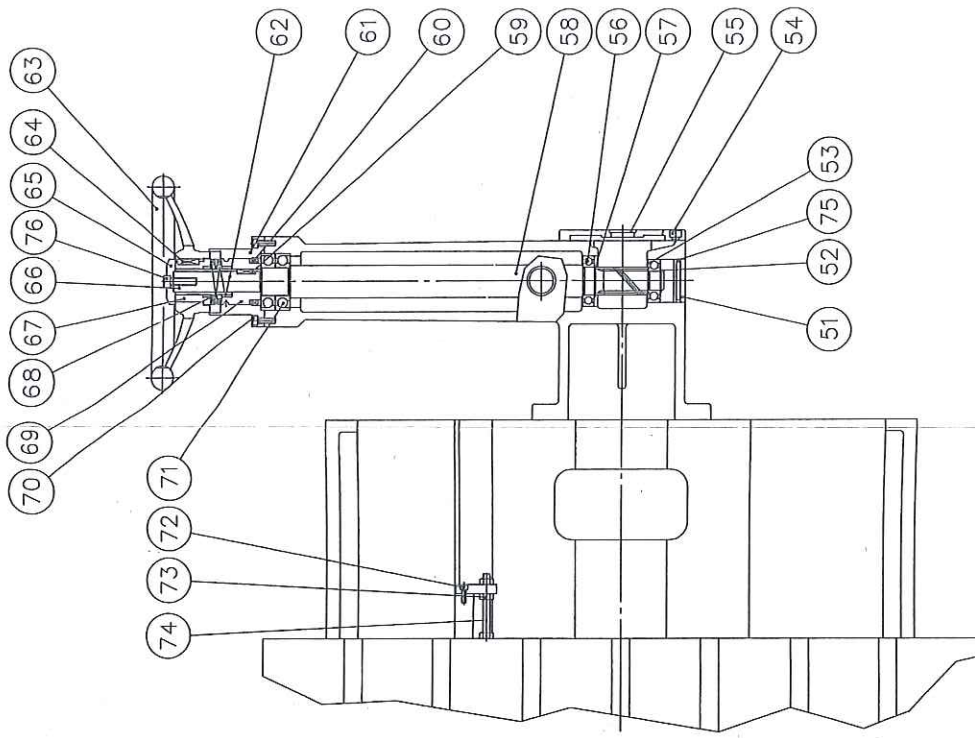


TABLE UNIT (2)



SHARP

PRECISION MACHINE TOOLS

Sharp Industries, Inc.

3501 Challenger Street

Torrance, CA 90503

Tel 310-370-5990 Fax 310-542-6162

Email: info@sharp-industries.com

Parts: parts@sharp-industries.com

Sales: sales@sharp-industries.com

Support: support@sharp-industries.com

www.sharp-industries.com

