

PART LIST  
OD-820HE

# SHARP

MODEL : OD-820HE

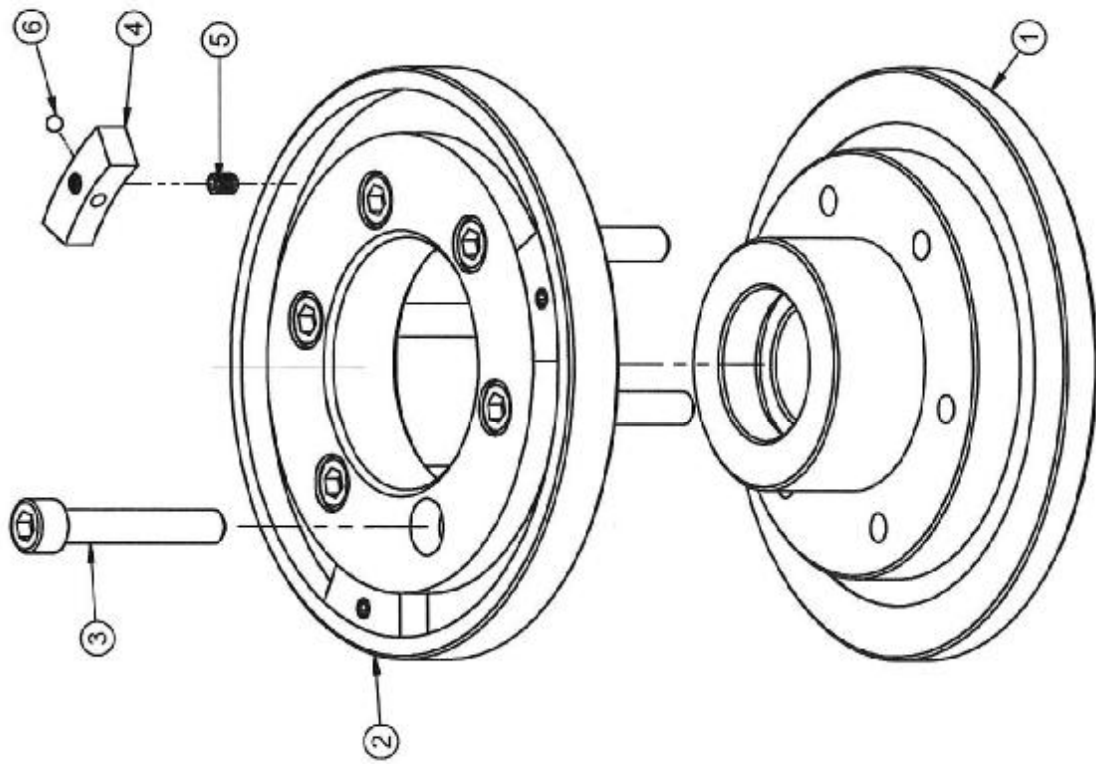
SERIAL NO. GB18023

MFG. DATE 2018.08.08

EDITION : 2018.08.09

## 目 錄 (Catalogue)

1	砂輪頭 Wheel head combination	.....	01- 1 ~ 01- 8
2	主輪台 (選購) Shaft combination & Work head (OPT)	.....	02- 1 ~ 02- 6
3	本台及上下滑板 Base with slide plate	.....	03- 1 ~ 03- 3
4	X軸 X axis	.....	04- 1 ~ 04- 4
5	進給機構 Feed change	.....	05- 1 ~ 05- 2
6	尾座 Tail stock	.....	06- 1~ 06- 3
7	主輪台主軸 Workhand spindle	.....	07- 1 ~ 07- 8
8	偏心軸組 (選購) Oval shaft combination (OPT)	.....	08- 1 ~ 08- 2
9	傳動軸組 Shaft combination & Workhead	.....	09- 1 ~ 09- 7
10	電器箱 Electrical cabinet	.....	10- 1 ~ 10- 3
11	水箱組 Coolant tank combination	.....	11- 1 ~ 11- 2
12	潤滑系統 Lubricate system	.....	12- 1 ~ 12- 2
13	平衡台 Slide way balancing stand	.....	13- 1 ~ 13- 4
14	內孔磨裝置 Lernal grinfing atachment	.....	14- 1 ~ 14- 3
15	取石器組合 Extractor combination	.....	15- 1 ~ 15- 2
16	修整裝置 Dressing attachment	.....	16- 1~ 16- 6
17	支持架 Stesdy rest	.....	17- 1 ~ 17- 6
18	減速機座(三段變速) Reduction gear	.....	18- 1~ 18- 2



SHARP

圖名  
(NAME)

5" 軸承式砂輪套  
Flange

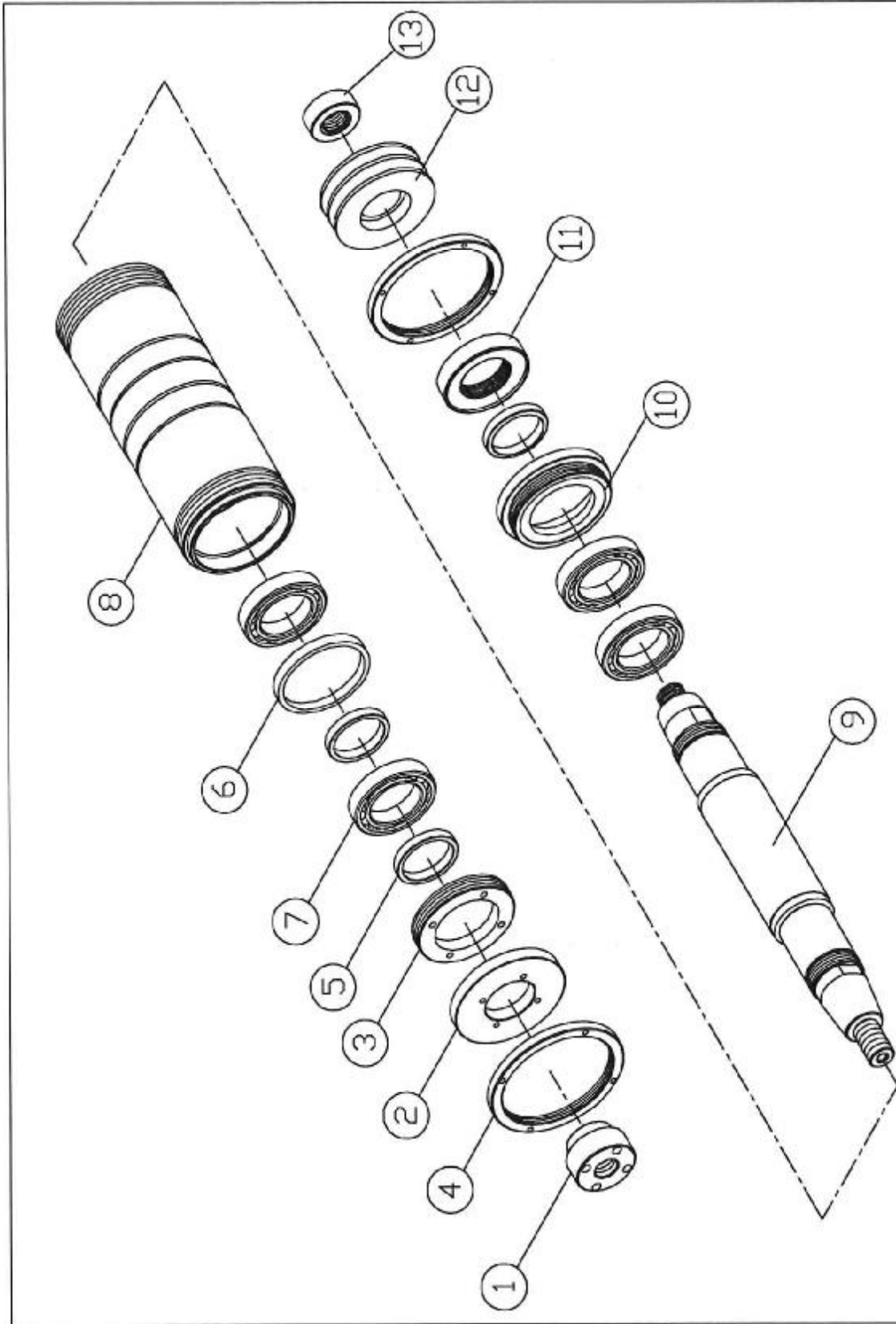
核准 (APP)  
沈世傑

日期 (DATE)  
2004/7/5

圖號 (NUMBER)  
AL010301

圖號 (NUMBER)	AL010301
圖名 (DRAWING)	5" 軸承式砂輪套 Flange
日期 (DATE)	2004/7/5
頁數 (PAGE)	1-1

NO.	Parts No.	件名	Description	Remarks	Qty.
1	KL010300	砂輪套	Flange	5"	1
2	KL010200	砂輪套蓋	Wheel Pressed Plate		1
3	SD012126	六角承窩頭螺絲	Screw		6
4	K7061605	平衡塊	Balancing Block		3
5	SD030623	無頭螺絲	Setting Screw	M6x1.0x6mm	3
6	SE200336	鋼珠	Steel Ball	3/16"	3

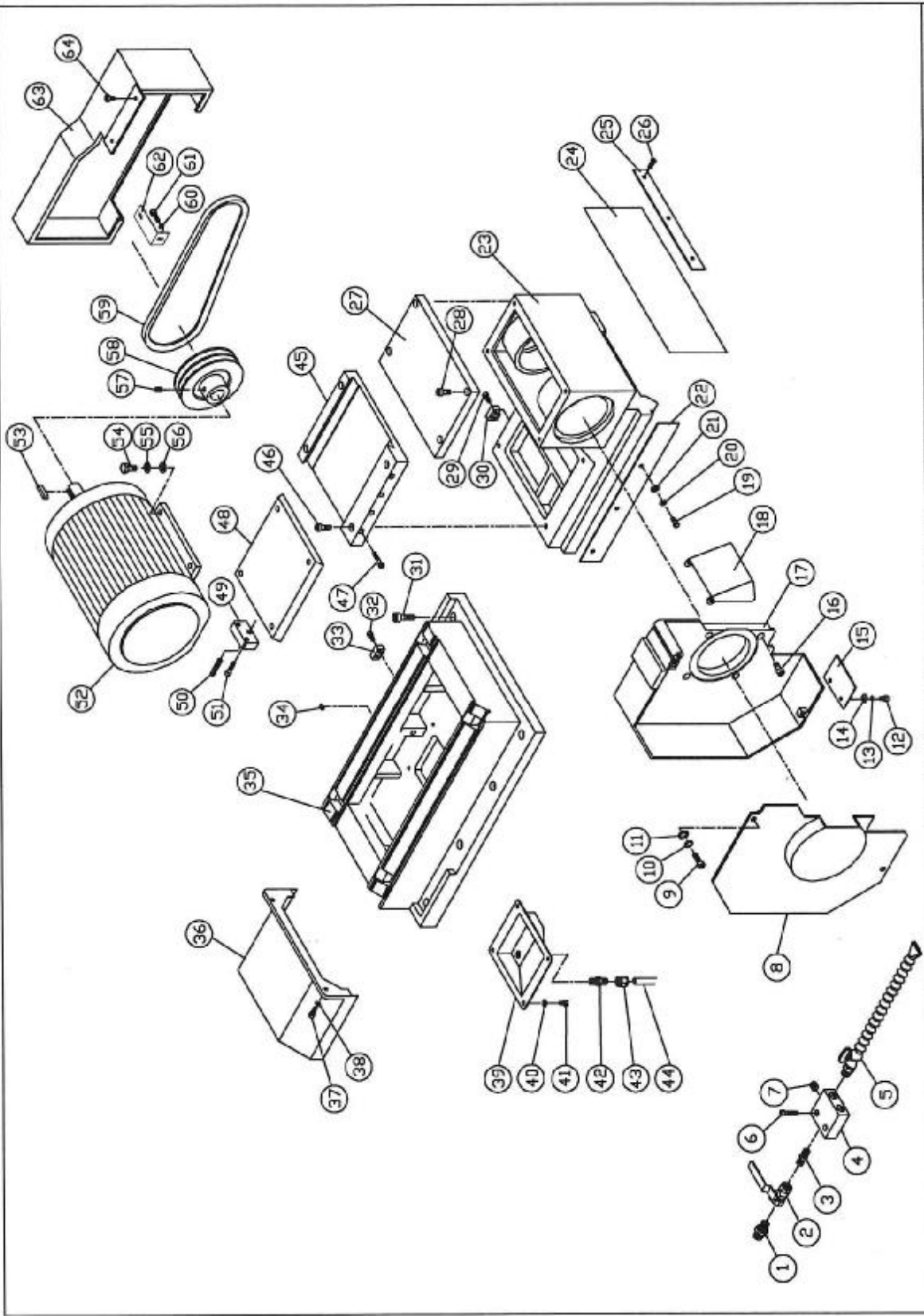


01-3

SHARP	名 (NAME)	核准 (APPROVE)	日期 (DATE)	圖號 (NUMBER)
	砂轮主轴 WHEEL SPINDLE UNIT(6DEGREE)	沈世傑	89.05.06	AA016601

圖號(NUMBER):	AA016601
圖名(DRAWING):	砂輪頭主軸 Wheel spindle unit ( 6 degree )
日期 DATE:	94.10.18
頁數(PAGE):	1-1

NO.	件號/Parts No.	件名	Description	Remarks	Qty.
1	KB012308	砂輪套鎖緊螺帽	Lock nut		1
2	KA011709	套筒外螺帽	Sleeve outer nut		2
3	KA011400	防塵逼緊螺帽	Dust proof lock nut		1
4	KA011307	套筒鎖緊螺帽	Sleeve lock nut		2
5	KA011101	軸承內間隔環	Inner spacer		3
6	KA011204	間隔環	Spacer		1
7	SA030379	精密斜角滾珠軸承	Angular Contact Ball Bearing	7210CP4	4
8	KA010801	軸承套筒	Bearing sleeve		1
9	KA016601	砂輪軸	Wheel shift	6度	1
10	KA011503	套筒蓋	Sleeve cover		1
11	KA011606	軸承逼緊螺帽	Bearing lock nut		1
12	KA017800	砂輪軸皮帶輪	Wheel spindle pulley		1
13	KA017900	皮帶輪固定螺母	Pullet setting nut		1



SHARP	名 (NAME) 砂轮头 Wheel head combination	核准 (APPROVE) 沈世傑	日期 (DATE) 2004.10.18	圖號 (NUMBER) AA905105



圖號(NUMBER):	AA905105
圖名(DRAWING):	砂輪頭
	Wheel head combination
日期(DATE):	2007.09.04
頁數(PAGE):	1-3

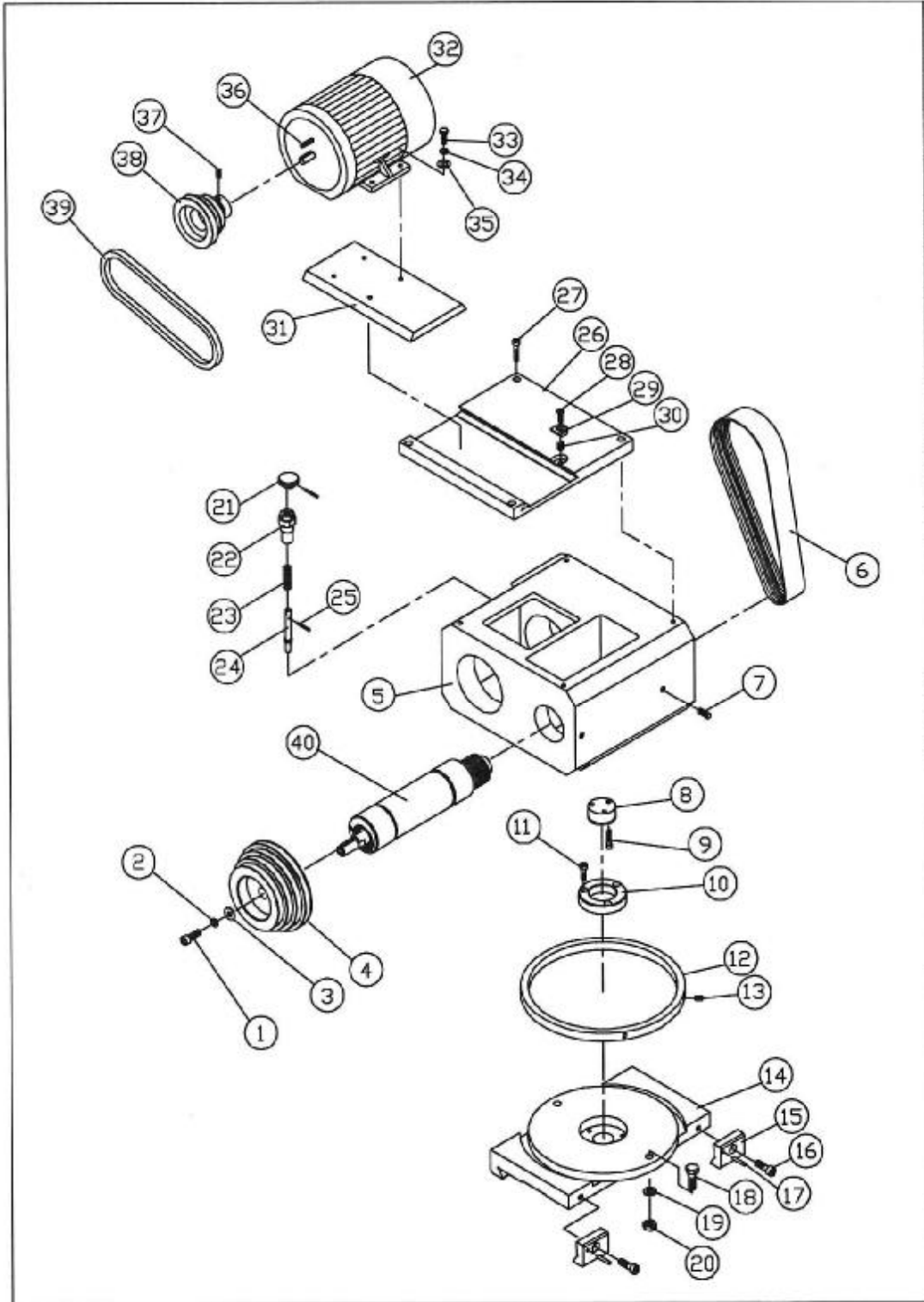
NO.	件號/Parts No.	件名	Description	Remarks	Qty.
1	SF260053	軟管接頭	Pipe connector	PT3/8xPE1/2	1
2	SF470238	凡爾	Valve	PT3/8	1
3	SF170040	公牙聯接頭	Elbow connector	PT1/4"xPT3/8"	1
4	KM012205	切削液接頭	Coolant pipe holder		1
5	SF475006	噴水管	Flexible pipe	3/8PT	1
6	SD011101	六角孔螺絲	Hex. Socket screw	M6x1x30L	2
7	SF670038	內六角牙管塞	Pipe closer	PT3/8	1
8	KM011709	砂輪護罩蓋	Wheel guard cover		1
9	SD011534	六角孔螺絲	Hex. Socket screw	M8x1.25x16L	4
10	SD810049	彈簧墊圈	Spring washer	M8	4
11	SD800042	平墊圈	Washer	M8(5/16)	4
12	SD011039	六角孔螺絲	Hex. Socket screw	M6x1x10L	3
13	SD810032	彈簧墊圈	Spring washer	M6	3
14	SD800035	平墊圈	Washer	M6(1/4)	3
15	KA016807	砂輪頭防濺壓板	Wheel head protection plate		1
16	SD011558	六角孔螺絲	Hex. Socket screw	M8x1.25x25L	4
17	KM011606	砂輪護罩	Wheel Guard		1
18	KM011802	砂輪護罩擋水蓋	Wheel guard's splash cover		1
19	SD070061	六角頭螺絲	Hex.Head Screw	M6x1x16L	3
20	SD810032	彈簧墊圈	Spring washer	M6	3
21	SD800035	平墊圈	Washer	M6(1/4)	3
22	KA017700	防濺壓板	Splash plate		1
23	KA010910	砂輪頭	Wheel head		1
24	KA017004	耐油板	Permanent oil plate		1
25	KA013505	防濺布壓板	Splash plate		1
26	SD040644	圓頭六角孔螺絲	Round Head Socket Screw	M6x1x12L	3
27	KA081100	砂輪頭蓋板	Wheelhead cover plate		1
28	SD011565	六角孔螺絲	Hex. Socket screw	M8x1.25x30L	4
29	SD011046	六角孔螺絲	Hex. Socket screw	M6x1x12L	4
30	KA012803	砂輪頭上定位塊	Wheelhead upper lockte block		1
31	SD012061	六角孔螺絲	Hex. Socket screw	M10x1.5x35L	8
32	SD011046	六角孔螺絲	Hex. Socket screw	M6x1x12L	2
33	KA012906	砂輪頭下定位塊	Wheelhead under lockte block		1

圖號(NUMBER):	AA905105
圖名(DRAWING):	砂輪頭 Wheel head combination
日期 DATE):	2007.09.04
頁數(PAGE):	2-3

NO.	件號/Parts No	件名	Description	Remarks	Qty.
34	SD030623	固定螺絲	Fixed Screw	M6x1x6L	2
35	KA015909	砂輪頭底座	Wheelhead base	G20P-50M	1
36	KA016508	砂輪頭後護蓋	Wheel head rear cover	G20P-50M	1
37	SD011053	六角孔螺絲	Hex. Socket screw	M6x1x16L	2
38	SD810032	彈簧墊圈	Spring washer	M6	2
39	KA016302	集油槽	Oil box		1
40	SD810032	彈簧墊圈	Spring washer	M6	4
41	SD011039	六角孔螺絲	Hex. Socket screw	M6x1x10L	4
42	SF150046	公牙管接頭	Elbow joint	PT1/4xPS3/8	1
43	SF440031	螺帽	Nut	φ 3/8	1
44	SF220323	銅管	Copper pipe	φ 3/8"	1
45	KA018300	砂輪頭馬達座	Wheelhead motor seat		1
46	SD011565	六角孔螺絲	Hex. Socket screw	M8x1.25x30L	4
47	SD011101	六角孔螺絲	Hex. Socket screw	M6x1x30L	4
48	KA013103	馬達導板	Motor's guide plate		1
49	KA016704	調整片	Adjusting plate		1
50	SD031002	固定螺絲	Fixed Screw	M8x1.25x40L	1
51	SD011084	六角孔螺絲	Hex. Socket screw	M6x1x25L	2
52	SK800303	交流馬達	Driving motor	2HP/50HZ	1
53	SE100333	雙頭圓鍵	Groove key	8*7*35	1
54	SD070669	六角頭螺絲	Hex. Head Screw	M10x1.5x25L	4
55	SD810056	彈簧墊圈	Spring washer	M10	4
56	SD800059	平墊圈	Washer	M10(3/8)	4
57	SD030939	固定螺絲	Fixed Screw	M8x1.25x10L	1
58	KA013000	馬達皮帶輪	Motor pulley	3HP,60HZ	1
59		V 型皮帶	V-Belt	A-1143mm	2
60	SD810032	彈簧墊圈	Spring washer	M6	3
61	SD011053	六角孔螺絲	Hex. Socket screw	M6x1x16L	3
62	KM174700	前後自動開關支板	Auto switch bracket		1
63	KA018400	皮帶輪護罩	Pully's Guard		1
64	SD040644	圓頭六角孔螺絲	Round Head Socket Screw	M6x1x12L	2
65	KB165505	碰觸危險銘牌	Warning plate		1
66	KB162007	旋轉方向指標銘牌	Direction tag		1

圖號(NUMBER):	AA905105
圖名(DRAWING):	砂輪頭 Wheel head combination
日期 DATE):	2007.09.04
頁數(PAGE):	3-3

NO.	件號/Parts No.	件名	Description	Remarks	Qty.
67	SD270012	鉚釘	Rivet	$\varphi 2$	6



SHARP	品名 (NAME)	核准 (APPROVE)	日期 (DATE)	圖號 (NUMBER)
	Shaft for BA 4011 & Work head (OPT)	NAME	DATE	PARTNO

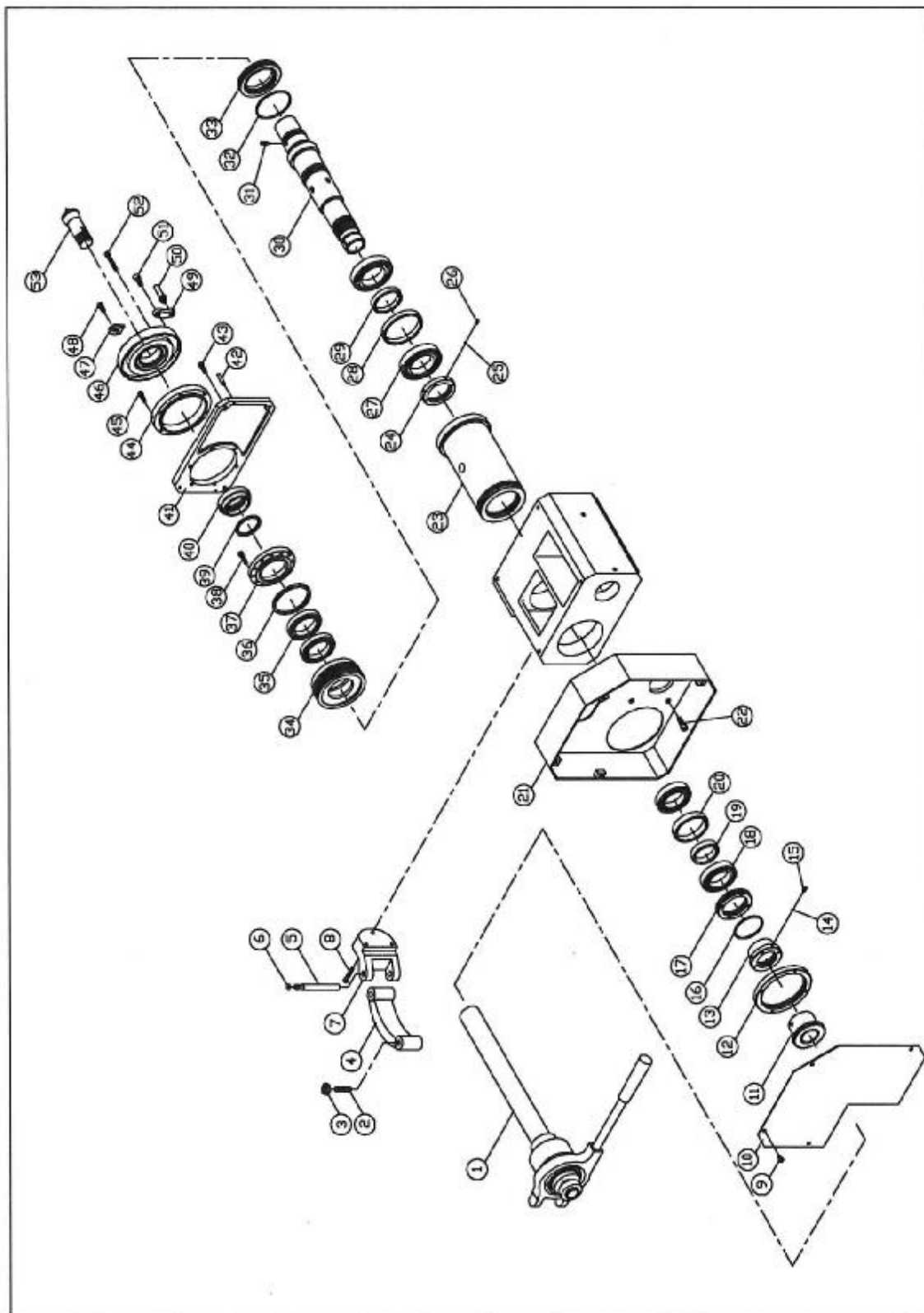
圖號(NUMBER):	AA905215
圖名(DRAWING):	主輪台 (選購)
	Shaft combination & Work head (OPT)
日期(DATE):	2004.07.13
頁數(PAGE):	1-2

NO.	件號/Parts No.	件名	Description	Remarks	Qty.
1	SD011077	六角孔螺絲	Hex. Socket screw	M6x1x20L	1
2	SD810032	彈簧墊圈	Spring washer	M6	1
3	SD800035	平墊圈	Washer	M6(1/4)	1
4	KA022707	起動軸皮帶輪	Pulley		1
5	KM023409	主輪台	Workhead	5C	1
6	SB180061	多溝小V皮帶	V-Belt	220Jx10	1
7	SD030960	固定螺絲	Fixed Screw	M8x1.25x20L	2
8	KM022707	旋轉軸	Rotary shaft		1
9	SD010681	六角孔螺絲	Hex. Socket screw	M5x0.8x25L	3
10	KB060507	軸襯	Bushing		1
11	SD011077	六角孔螺絲	Hex. Socket screw	M6x1x20L	3
12	KM020808	刻度環	Dial ring		1
13	SD030647	固定螺絲	Fixed Screw	M6x1x10L	2
14	KM020705	主輪台下滑板	Workhead lower sliding plate		1
15	KA020406	下滑板固定塊(右)	Lower Setting Block		2
16	SD011558	六角孔螺絲	Hex. Socket screw	M8x1.25x25L	2
17	SE010162	彈簧梢	Spring pin	φ 4x25L	4
18	SD070683	六角頭螺絲	Hex.Head Screw	M10x1.5x35L	2
19	SD810056	彈簧墊圈	Spring washer	M10	2
20	SD200051	六角頭螺帽	Hexagonal nut	M10x1.5	2
21	KA021201	固定旋鈕	Drive block		1
22	KM022501	固定栓座	Fixed Pin Seat		1
23	KA021005	壓縮彈簧	Spring		1
24	KM022604	主軸固定栓	Spindle Setting Bolt		1
25	SE010069	彈簧梢	Spring pin	φ 3x20L	2
26	KM022903	馬達架下座	Mount Motor Lower Holder		1
27	SD011101	六角孔螺絲	Hex. Socket screw	M6x1x30L	4
28	SD050775	平頭六角孔螺絲	Flat socket screw	M6x1x16L	1
29	KA023007	製動銷子	Fixed Plate		1
30	KA023100	壓縮彈簧	Spring		1
31	KA022903	馬達架上座	Motor Fixed Plate		1
32	SK800224	交流馬達	Driving motor	1/4HP/50HZ	1
33	SD070078	六角頭螺絲	Hex.Head Screw	M6x1x20L	4

圖號(NUMBER):	AA905215
圖名(DRAWING):	主輪台 (選購) Shaft combination & Work head (OPT)
日期(DATE):	2004.07.13
頁數(PAGE):	2-2

NO.	件號/Parts No.	件名	Description	Remarks	Qty.
34	SD810032	彈簧墊圈	Spring washer	M6	4
35	SD800035	平墊圈	Washer	M6(1/4)	4
36	SE100041	雙頭圓鍵	Groove key	4x4x30L	1
37	SD030654	固定螺絲	Fixed Screw	M6x1x12L	1
38	KA023203	馬達皮帶輪	Motor pulley	1/4HP	1
39	SB060033	V 型皮帶	V-Belt	M28	1
40	AM022006	偏心軸組	Oval shaft combination		1
41	KA160500	主軸轉速銘牌	Spindle rpm name plate		1
42	K4090609	歸零指示銘牌	Zero-Point tag		1
43	KB162007	旋轉方向指標銘牌	Direction tag		1
44	SD270012	鉚釘	Rivet	$\varphi 2$	8





SHARP	主機台(SCX選購)Work. DRAWING	名 (NAME)	批准 (APPROVE)	日期 (DATE)	圖號(NUMBER)
	Combination(SCXOPT)		NAME	DATE	PARTNO

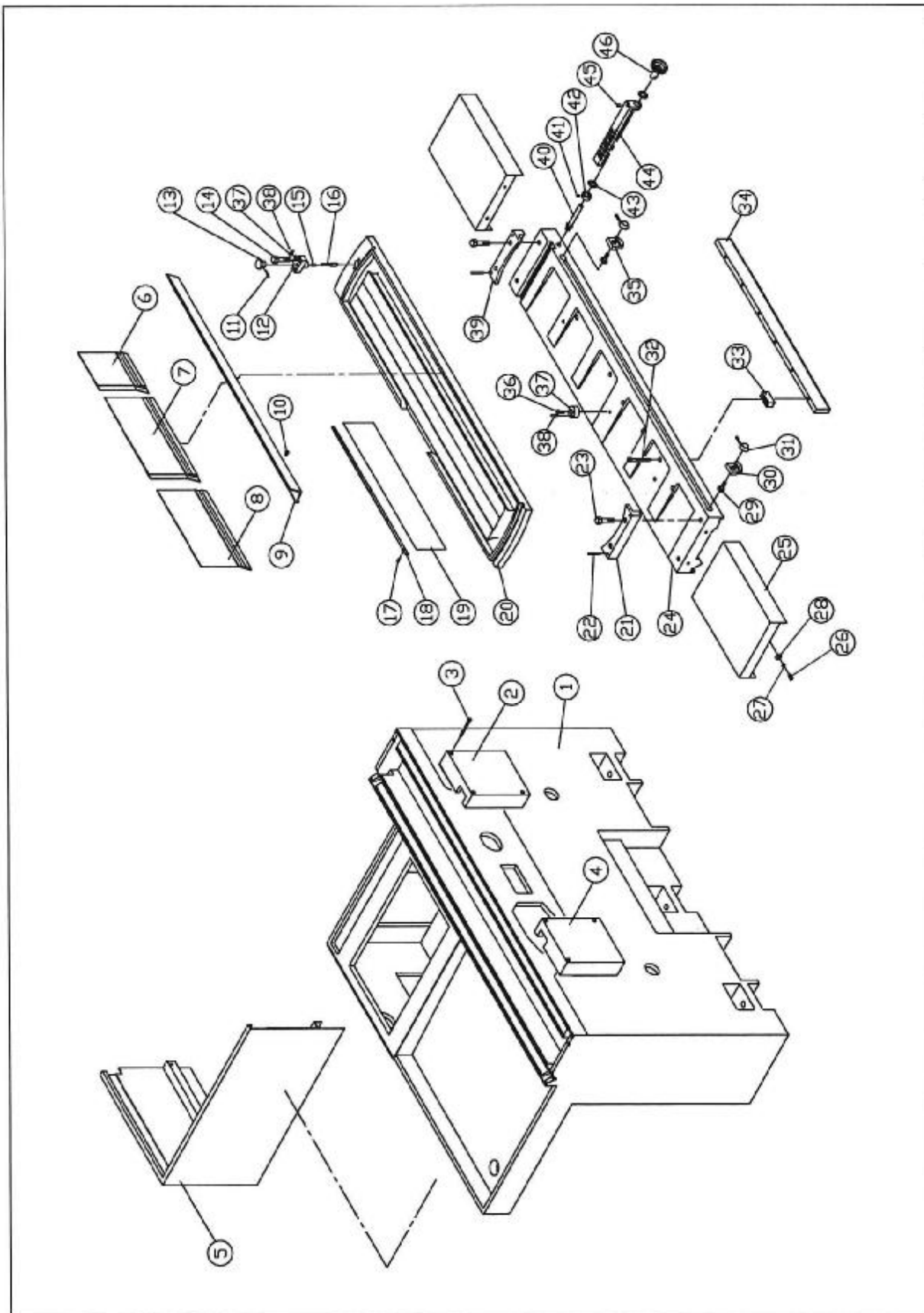
圖號(NUMBER):	AA905301
圖名(DRAWING):	主輪台(5C) (選購) Work head spindle combination(5C) (OPT)
日期(DATE):	2005.12.30
頁數(PAGE):	1-2

NO.	件號/Parts No.	件名	Description	Remarks	Qty.
1	AC000103	5C裝置	5C Attachment		1
2	KA028105	支軸螺絲	Coolar screw		2
3	SD200068	六角頭螺帽	Hexagonal nut	M12x1.75	2
4	KA028002	連環	Connection ring		1
5	KA028301	環銷	Ring pin		1
6	SE300030	C型外扣環	C-Clip Ring	軸用S10	1
7	KA028208	托架	Bracket		1
8	SD011118	六角孔螺絲	Hex. Socket screw	M6x1x35L	3
9	SD040637	圓頭六角孔螺絲	Round Head Socket Screw	M6x1x10L	4
10	KM023904	皮帶護罩蓋	Pulley guard	5C	1
11	KA026402	調整螺帽	Adjusting nut		1
12	KC022312	鎖緊螺帽	Locking nut	5C	1
13	KC022202	鎖緊螺帽	Locking nut		1
14	S2300010	銅條	Bronze Block	D4	1
15	SD030324	固定螺絲	Fixed Screw	M5x0.8x8L	2
16	SH210096	O型環	O ring	G65	1
17	KC022116	鎖緊螺帽	Locking nut	5C	1
18	SA030324	精密斜角滾珠軸承	Angular Contact Ball Bearin	7010CP4	2
19	KM021005	內間隔環	Inner spacing ring		1
20	KM021108	外間隔環	Outer spacer		1
21	KM023801	皮帶護罩	Belt cover	5C	1
22	SD011077	六角孔螺絲	Hex. Socket screw	M6x1x20L	4
23	KM023605	主軸套筒	Spindle container	5C	1
24	KC021407	鎖緊螺帽	Locking nut		1
25	S2300010	銅條	Bronze Block	D4	1
26	SD030324	固定螺絲	Fixed Screw	M5x0.8x8L	2
27	SA030331	精密斜角滾珠軸承	Angular Contact Ball Bearin	7012CP4	2
28	KC021311	外間隔環	Outer spacer	5C	1
29	KC021218	內間隔環	Inner spacing ring	5C	1
30	KM023502	主輪軸	Work head spindle	5C	1
31	SD030661	固定螺絲	Fixed Screw	M6x1x16L	1
32	SH210120	O型環	O ring	G80	1
33	KM023306	防塵螺帽	Dust proof nut	5C	1



圖號(NUMBER):	AA905301
圖名(DRAWING):	主輪台(5C) (選購) Work head spindle combination(5C) (OPT)
日期 DATE):	2005.12.30
頁數(PAGE):	2-2

NO.	件號/Parts No.	件名	Description	Remarks	Qty.
34	KM021603	多溝小V皮帶輪	Pulley		1
35	SA000921	單列深槽滾珠軸承	ball bearing	6911VV	2
36	SH210120	O型環	O ring	G80	1
37	KM021706	防塵蓋	Dust cover		1
38	SD011084	六角孔螺絲	Hex. Socket screw	M6x1x25L	6
39	SH210065	O型環	O ring	G50	1
40	KM021809	前防塵螺帽	Front dust proof nut		1
41	KM022305	主輪台前護罩	Work Head Front Guard		1
42	SE040060	斜銷	Taper Pin	φ 6x30L	2
43	SD030685	固定螺絲	Fixed Screw	M6x1x20L	4
44	KM022408	防塵護罩	Dust guard		1
45	SD030685	固定螺絲	Fixed Screw	M6x1x20L	6
46	KM021910	主軸帶動盤	Spindle Driving Disk		1
47	KA022305	主輪軸離合器	Work Head Spindle Clutch		1
48	SD011053	六角孔螺絲	Hex. Socket screw	M6x1x16L	1
49	KA022408	半月形帶動片	Driving Plate		1
50	KA022501	帶動桿	Grip		1
51	SD011541	六角孔螺絲	Hex. Socket screw	M8x1.25x20L	1
52	SD011132	六角孔螺絲	Hex. Socket screw	M6x1x45L	6
53	KA025700	頂針	Center		1



03-1

SHARP

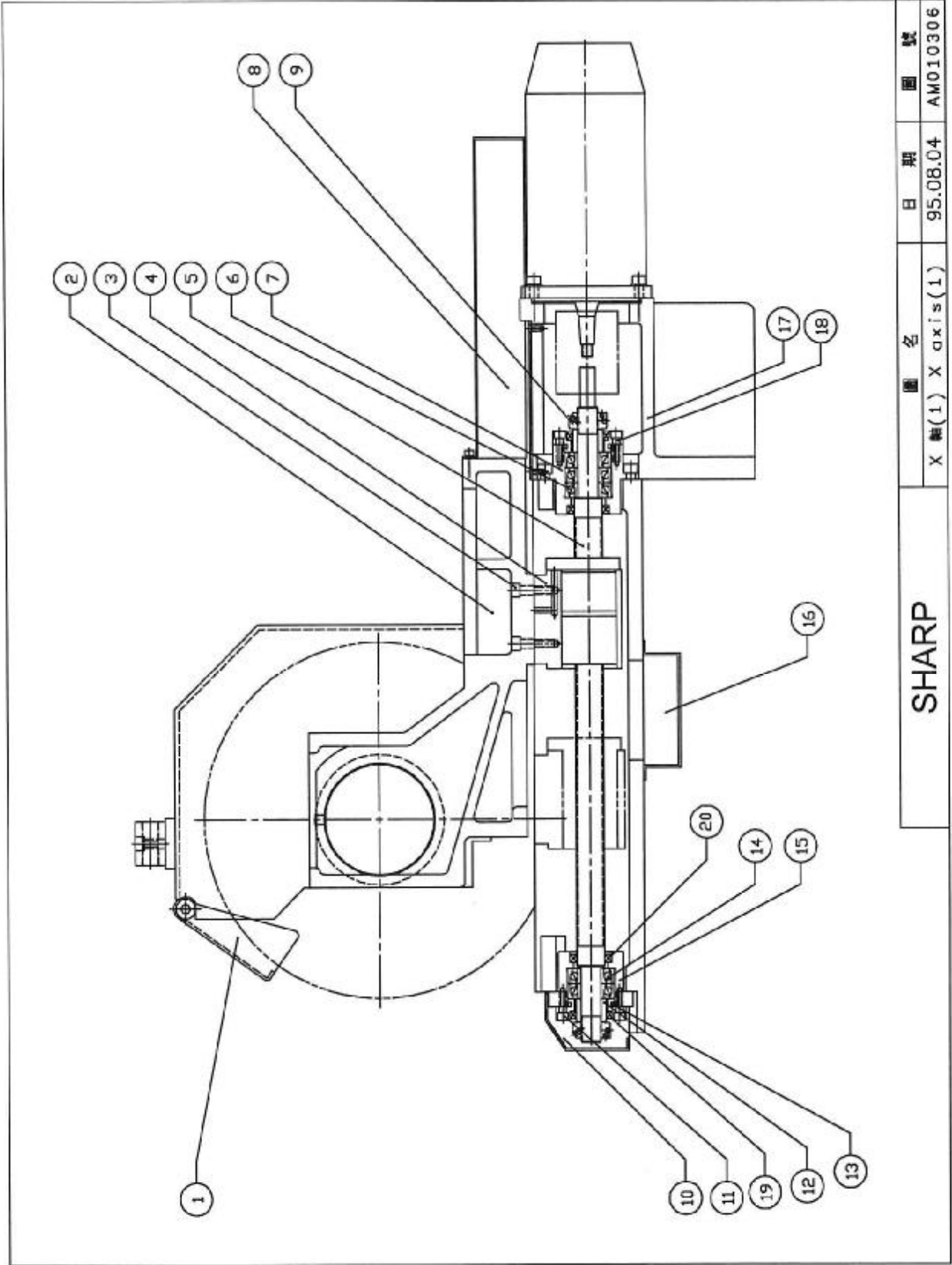
	圖名 (NAME) 本台及上下滑板 Base with slide plate	核准 (APPROVE) 沈世傑	日期 (DATE) 89.05.06	圖號 (NUMBER) AA905600
--	--	---------------------	-----------------------	-------------------------

圖號(NUMBER):	AA905600
圖名(DRAWING):	本台及上下滑板 Base with slide plate
日期 DATE):	89.08.17
頁數(PAGE):	1-2

NO.	件號/Parts No.	件名	Description	Remarks	Qty.
1	KA076108	本台	Base	G20P-50M	1
2	KA077202	左前蓋	Left - front cover	G20P-50M	1
3	SD011187	六角孔螺絲	Hex. Socket screw	M6x1x70L	6
4	KA077305	右前蓋	Right - front cover	G20P-50M	1
5	KA077415	後擋水板	Rear splash guard		1
6	KA075602	前擋水板(三)	Front splash guard (3)		1
7	KA075509	前擋水板(二)	Front splash guard (2)		1
8	KA075406	前擋水板(一)	Front splash guard (1)		1
9	KA074900	前擋水板	Front splash guard		1
10	SD040644	圓頭六角孔螺絲	Round Head Socket Screw	M6x1x12L	3
11	SE010069	彈簧梢	Spring pin	φ 3x20L	1
12	KA071103	斜度零點指示殼	Taper zero indicating shell		1
13	KA071402	旋鈕	Adjusting knob		1
14	SD011084	六角孔螺絲	Hex. Socket screw	M6x1x25L	2
15	KA071206	壓縮彈簧	Spring		1
16	KA071309	斜度固定軸	Fixed Bar		1
17	SD040053	圓頭六角孔螺絲	Round Head Socket Screw	M4x0.7x12L	5
18	KM090508	上滑板遮布壓板	Upper slide plate		1
19	KA016900	耐油板	Permanent oil plate		1
20	KA075808	上滑板	Upper slide plate	G20P-50M	1
21	KA071608	左定位片	Locating plate(L)		1
22	SE040091	斜銷	Taper Pin	φ 6x45L	4
23	KA071505	六角螺絲	Socket screw		4
24	KA075918	下滑板	Lower slide plate		1
25	KA077903	側翼	Sub-Table		2
26	SD011053	六角孔螺絲	Hex. Socket screw	M6x1x16L	4
27	SD810032	彈簧墊圈	Spring washer	M6	4
28	SD800035	平墊圈	Washer	M6(1/4)	4
29	KA072403	控制塊固定栓	Control block setting bolt		2
30	KA072506	左定位控制塊	Left locating control block		1
31	KA072300	活動板手	Adjust table spanner		2
32	SD011675	六角孔螺絲	Hex. Socket screw	M8x1.25x75L	6
33	KA076201	墊塊	Block	G20P-50M	6

圖號(NUMBER):	AA905600
圖名(DRAWING):	本台及上下滑板 Base with slide plate
日期 DATE):	89.08.17
頁數(PAGE):	2-2

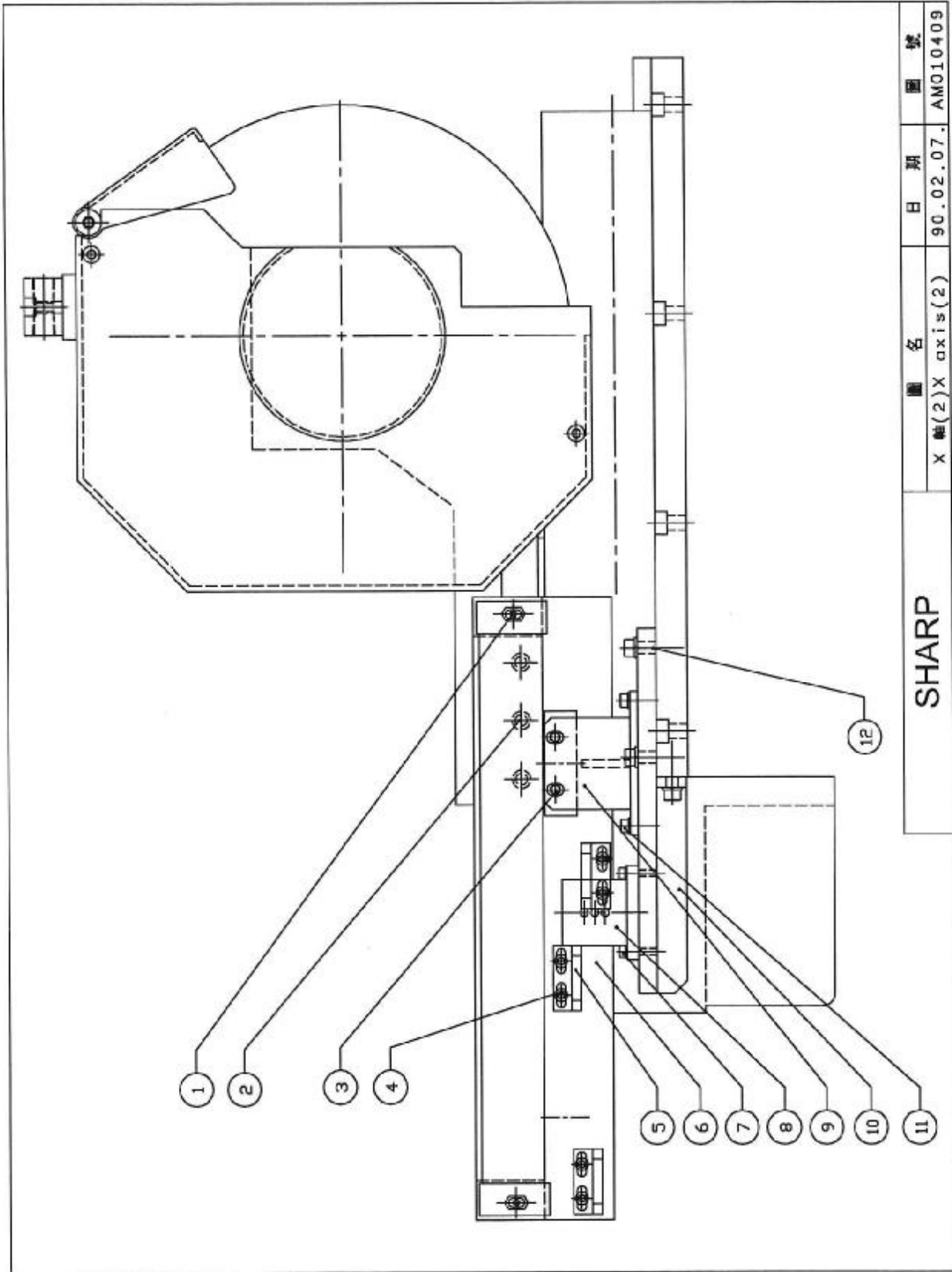
NO.	件號/Parts No.	件名	Description	Remarks	Qty.
34	KA076304	齒條	Rack	G20P-50M	1
35	KA072609	右定位控制塊	Right locating control block		1
36	SD011077	六角孔螺絲	Hex. Socket screw	M6x1x20L	2
37	KA070504	圓財仔	Lower Setting Block		1
38	SE010162	彈簧梢	Spring pin	$\phi$ 4x25L	1
39	KA071000	右定位片	Right setting plate		1
40	KA073507	斜度調整桿	Angle adjusting shaft		1
41	SD030630	固定螺絲	Fixed Screw	M6x1x8L	3
42	KA073806	旋鈕護套	Adjusting knob collar		1
43	KA073703	銅墊圈	Bronze washer		2
44	KA071907	電器箱	Electrical box	G20P-50M	1
45	SF840025	油珠	Oil ball	1/4"	1
46	KA073600	調整旋鈕	Adjusting boss		1
47	K4090609	歸零指示銘牌	Zero-Point tag		1
48	SD270012	鉚釘	Rivet	$\phi$ 2	2



<b>SHARP</b>		圖名	日期	圖號
		X軸(1) X axis(1)	95.08.04	AM010306

圖號(NUMBER):	AM010306
圖名(DRAWING):	X軸(1)
	X axis(1)
日期 DATE):	95.08.05
頁數(PAGE):	1-1

NO.	件名	名稱	Description	Remarks	Qty.
1	KM014700	砂輪護罩擋水板	Splash guard on the wheel		1
2	KA010904	砂輪頭	Wheel head		1
3	SD011589	內六角螺絲	DRESSER REAR COVER	M8x35L	4
4	KM012102	導螺桿螺帽座(X軸)	Ball screw nut bracket (X Axis)		1
5	KM010203	X軸滾珠導螺桿	X-AXIS Ball Screw		1
6	SA040022	斜角滾珠軸承	Angular Ball Bearing	20TAC47B	3
7	KM010708	後軸承座(X軸)	Rear bearing bracket (X Axis)		1
8	KM011503	砂輪頭後護蓋	Wheel head rear cover		1
9	KM010502	間隔圈	Spacer		2
10	KM011008	前護蓋	Front cover		1
11	SD030685	內六角螺絲	DRESSER REAR COVER	M6x20L	4
12	KM010502	間隔圈	Spacer		2
13	KM010605	軸蓋	Shaft cover		1
14	SA040022	斜角滾珠軸承	Angular Ball Bearing	20TAC47B	2
15	KM010904	前軸承座(X軸)	Front bearing bracket (X Axis)		1
16	KA016302	集油槽	Oil box		1
17	KM010305	X軸馬達座	X-AXIS Motor Seat		1
18	SD011084	內六角螺絲	DRESSER REAR COVER	M6x25L	4
19	SH010045	油封	Oil Seal	TC30.42.8	2
20	SH010021	油封	Oil Seal	TC28.42.8	2



04-3

SHARP

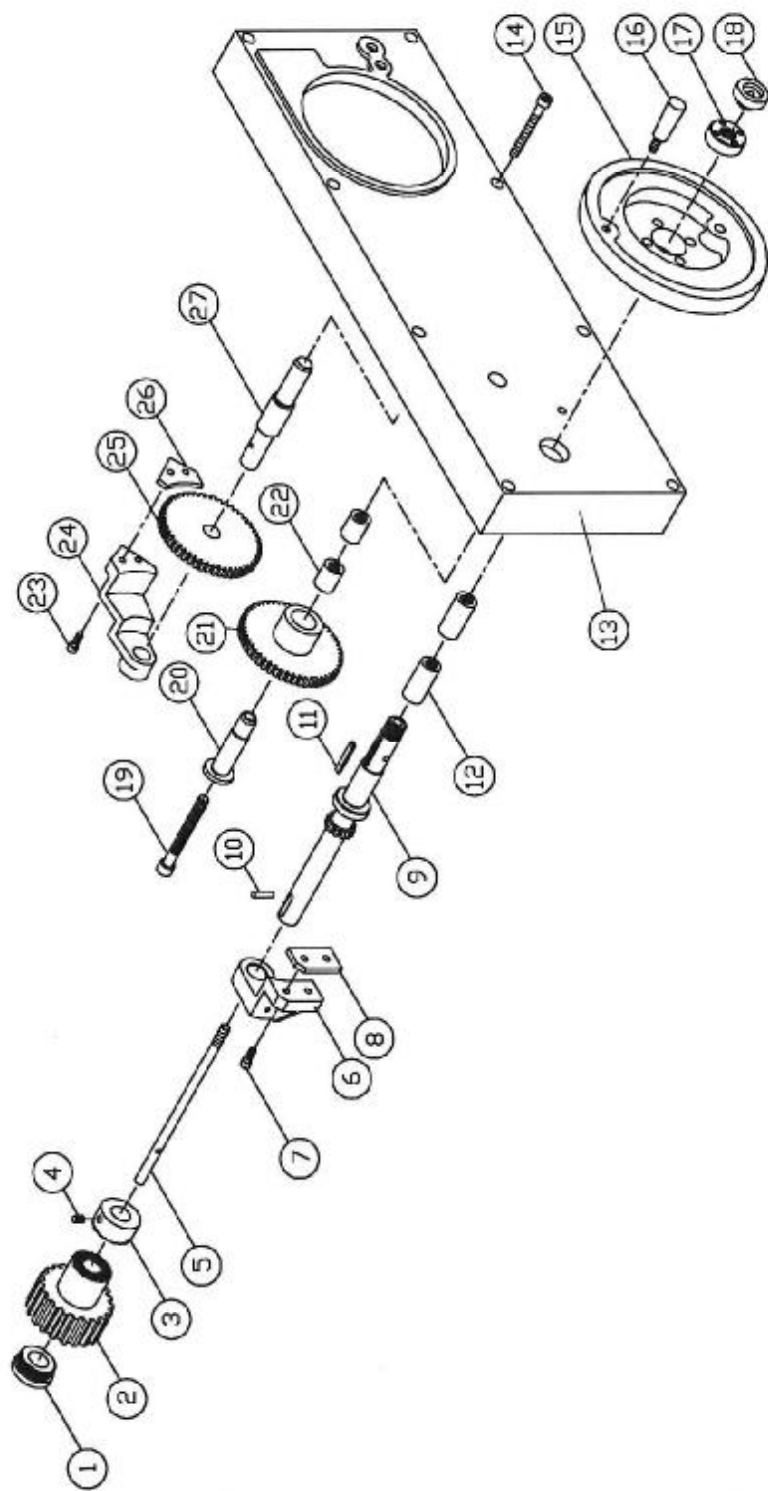
圖名	日期	圖號
X軸(2)X axis(2)	90.02.07.	AM010409



圖號(NUMBER):	AM010409
圖名(DRAWING):	X軸(2)
	X axis(2)
日期 DATE):	96.02.05
頁數(PAGE):	1-1

NO.	件名	名稱	Description	Remarks	Qty.
1	SD010698	六角孔螺絲-公制牙	Hex. Socket screw	M5x30L	2
2	SD011565	六角孔螺絲-公制牙	Hex. Socket screw	M8x30L	3
3	SD011558	六角孔螺絲-公制牙	Hex. Socket screw	M8x25L	2
4	SD010674	六角孔螺絲-公制牙	Hex. Socket screw	M5x20L	6
5	KF065801	觸止塊	Stop block		3
6	KM011101	X軸光學尺座	X-AXIS Linear Scale Seat		1
7	SD010674	六角孔螺絲-公制牙	Hex. Socket screw	M5x20L	2
8	SK16003	電線保護管固定座	Sensor's bracket	BNS519B03D08	1
9	KM011204	讀頭固定座	Hex. Socket screw	OPTIONAL	1
10	SD011077	六角孔螺絲-公制牙	Hex. Socket screw	M6x20L	4
11	KM011307	開關固定座	Switch Setting Seat		1
12	SD011541	六角孔螺絲-公制牙	Hex. Socket screw	M8x30L	4

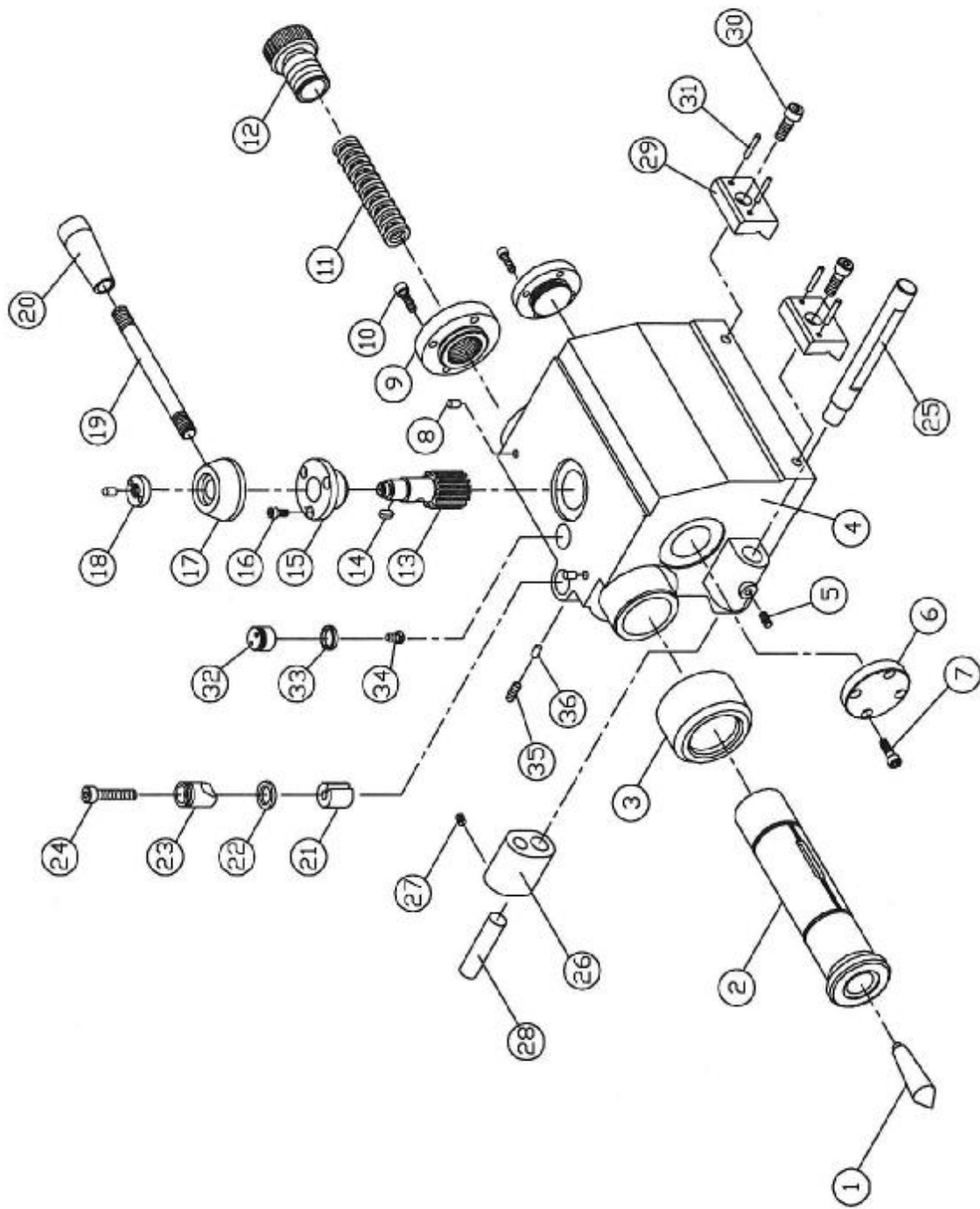




SHARP	圖名 (NAME) 左右進給機構 Long feed change	核准 (APPROVE) 沈世棟	日期 (DATE) 96.02.05	圖號 (NUMBER) AA905909
-------	--------------------------------------	---------------------	-----------------------	-------------------------

圖號(NUMBER):	AA905909
圖名(DRAWING):	左右進給機構
	Long feed change
日期(DATE):	96.02.05
頁數(PAGE):	1-1

NO.	件號/Parts No.	件名	Description	Remarks	Qty.
1	KA050902	齒輪螺栓	Gear bolt		1
2	KA052502	離合器齒輪	Clutch gear	G500	1
3	KA050603	離合器固定套	Clutch setting flange		1
4	SD030939	固定螺絲	Fixed Screw	M8x1.25x10L	1
5	KA052605	拉桿	Draw bar	G500	1
6	KA050500	齒輪固定架	Gear Fixed Bracket		1
7	SD011053	六角孔螺絲	Hex. Socket screw	M6x1x16L	2
8	KA052708	齒輪固定架墊片	Gear Fixed Bracket Pad mat	G500	1
9	KA052409	手輪齒軸	Handwheel Teeth rod	G500	1
10	SE020190	平行梢	Straight pin	φ 5x30L	1
11	SE100199	雙頭圓鍵	Groove key	6x6x40L	1
12	SA310161	滾針軸承	Needle bearing	TA2525	2
13	KA076005	本台前蓋板	Base side cover	G20P-50M	1
14	SD011675	六角孔螺絲	Hex. Socket screw	M8x1.25x75L	8
15	KA051006	手輪	Handwheel		1
16	SE600211	小通用把手	Handle bar	FN3/8 牙80	1
17	KA051109	手輪逼緊螺帽	Handwheel fixed nut		1
18	KA051202	拉桿逼緊螺帽	Draw bar lock nut		1
19	SD012195	六角孔螺絲	Hex. Socket screw	M10x1.5x95L	1
20	KA050304	傳動齒輪軸	Transmission gear shaft		1
21	KA050201	傳動齒輪	Transmission Gear		1
22	SA330017	滾針軸承	Needle bearing	NK2016	2
23	SD011053	六角孔螺絲	Hex. Socket screw	M6x1x16L	2
24	KA051501	齒輪軸架	Gear shaft bracket		1
25	KA051408	排齒傳動齒輪	Rack transmission gear		1
26	KA052801	齒輪軸架墊片	Gear shaft brackets washer	G500	1
27	KA052904	排齒傳動齒輪軸	Rack transmission gear shaft	G20P-50M	1
28	KA051604	偏心軸	Oval rod		1
29	KA051707	調整螺帽	Adjusting nut		1



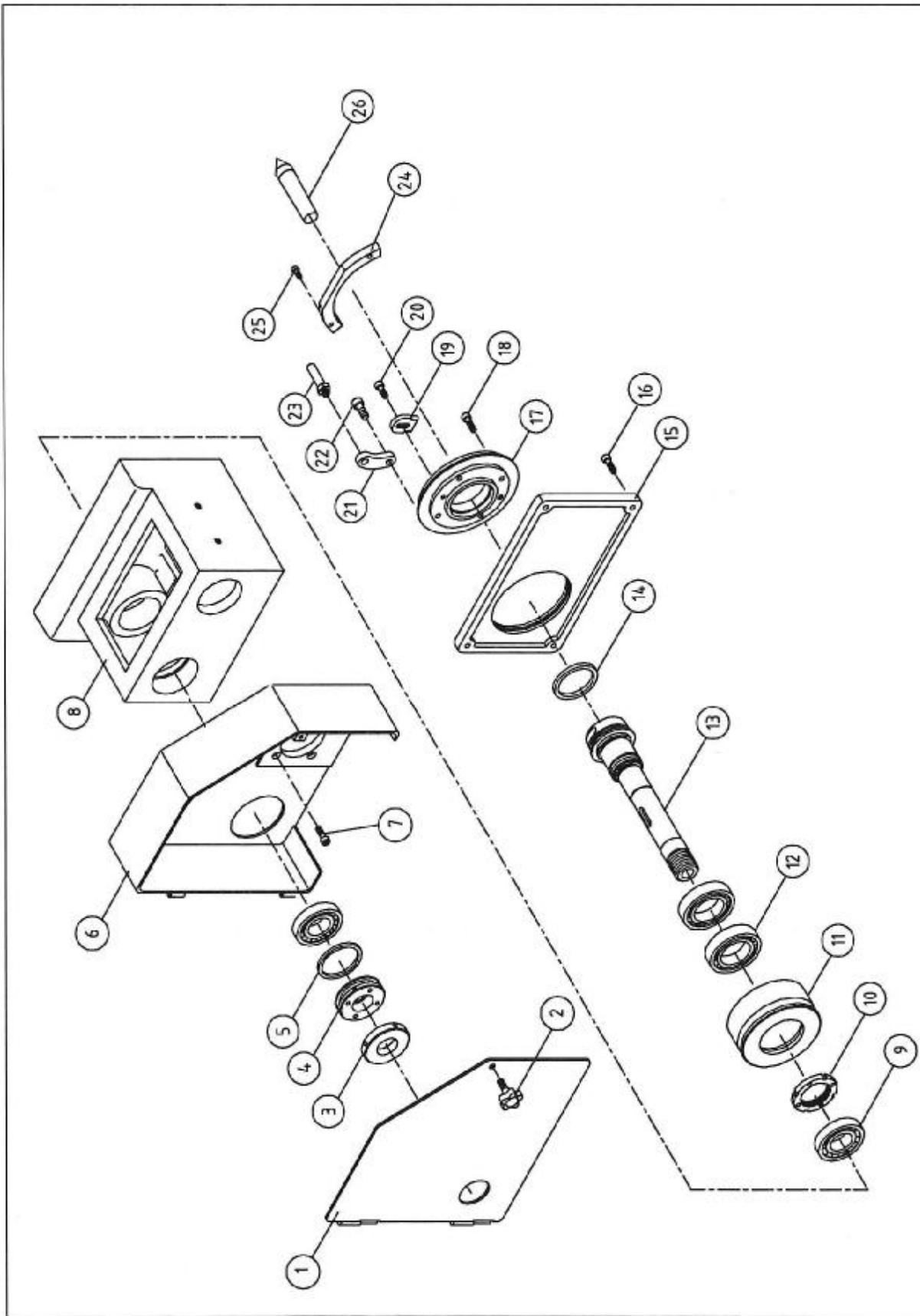
SHARP	圖名 (NAME) 尾座 Tail stock	核准 (APPROVE) 沈世傑	日期 (DATE) 89.07.21	圖號 (NUMBER) AA905404

圖號(NUMBER):	AA905404
圖名(DRAWING):	尾座
	Tail stock
日期(DATE):	89.08.17
頁數(PAGE):	1-2

NO.	件號/Parts No.	件名	Description	Remarks	Qty.
1	SC100027	鑄鋼固定頂心(AA)	Center	MT3# C10	1
2	KA032106	滑筒	Slide sleeve	MT3	1
3	KA032405	防塵蓋	Dust cover	MT3	1
4	KA032010	尾座	Tailstock	MT3	1
5	SD011077	六角孔螺絲	Hex. Socket screw	M6x1x20L	1
6	KM030300	前蓋	Cover		2
7	SD010650	六角孔螺絲	Hex. Socket screw	M5x0.8x16L	8
8	SF840026	油珠	OIL BALL	1/4"	3
9	KA032209	固定蓋	Fixed cover	MT3	1
10	SD011077	六角孔螺絲	Hex. Socket screw	M6x1x20L	4
11	KA030403	彈簧	Spring		1
12	KA032302	調整旋鈕	Adjusting boss	MT3	1
13	KM030111	齒輪軸	Gear shaft		1
14	SE100137	雙頭圓鍵	Groove key	6x6x12L	1
15	KA030805	齒軸固定蓋	Gear shaft fixed cover		1
16	SD010643	六角孔螺絲	Hex. Socket screw	M5x0.8x12L	3
17	KA030908	把手固定鈕	Handle bar setting knob		1
18	KA031105	鎖緊螺帽	Locking nut		1
19	KA087508	把手	Handbar		1
20	SE660220	塑膠珠	Plastic knob	M10x1.5	1
21	KA031208	滑筒下固定套	Slide sleeve fixed flange		1
22	SH200123	O型環	O ring	P15(15*3)	1
23	KA031301	滑筒上固定塊	Slide sleeve fixed block		1
24	SD011637	六角孔螺絲	Hex. Socket screw	M8x1.25x55L	1
25	KA031600	砂輪修整桿	Wheel dressing rod		1
26	KA031507	鑽石針固定塊	Diamond dresser		1
27	SD011053	六角孔螺絲	Hex. Socket screw	M6x1x16L	1
28	SS330024	單點鑽石修刀	Diamond tool	#10	1
29	KA020406	下滑板固定塊(右)	Lower Setting Block		2
30	SD011558	六角孔螺絲	Hex. Socket screw	M8x1.25x25L	2
31	SE010162	彈簧梢	Spring pin	φ 4x25L	4
32	KB030805	固定軸	Fixed arbor		1
33	SH200130	O型環	O ring	P16	1

圖號(NUMBER):	AA905404
圖名(DRAWING):	尾座
	Tail stock
日期(DATE):	89.08.17
頁數(PAGE):	2-2

NO.	件號/Parts No.	件名	Description	Remarks	Qty.
34	SD030685	固定螺絲	Fixed Screw	M6x1x20L	1
35	SD030661	固定螺絲	Fixed Screw	M6x1x16L	1
36	S2300010	銅條	Bronze Block	D4	1



07-1

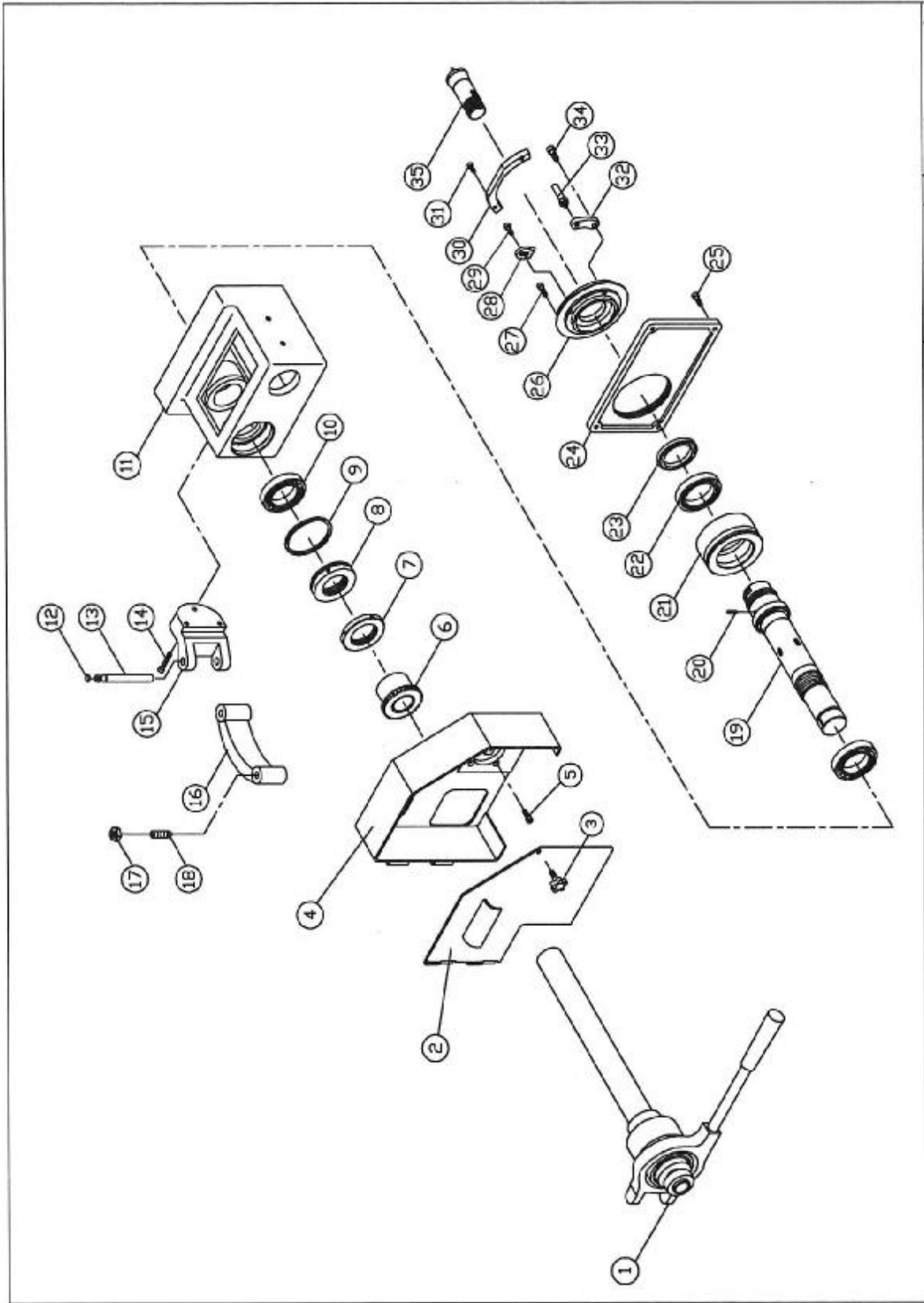
SHARP

主軸輪組Work hand spindle combination	圖名 (NAME)	核准 (APPROVE)	日期 (DATE)	圖號 (NUMBER)
		沈世傑	2004.07.13	G10P2011

圖號(NUMBER):	G10P2011
圖名(DRAWING):	主輪軸組
	Work hand spindle combination
日期 DATE):	2004.07.13
頁數(PAGE):	1-1

NO.	件號/Parts No.	件名	Description	Remarks	Qty.
1	KA023416	皮帶護罩(外)	Belt cover		1
2	SD011039	六角孔螺絲	Hex. Socket screw	M6x1x10L	3
3	KA021706	主輪台螺帽	Workhead nut		1
4	KA021603	防塵螺帽	Dust proof nut		1
5	SH210065	O型環	O ring	G50	1
6	KA029704	皮帶護罩(內)	Belt cover		1
7	SD011077	六角孔螺絲	Hex. Socket screw	M6x1x20L	1
8	KA020107	主輪台	Workhead		1
9	SA210065	滾錐軸承	Roller bearing	32006	2
10	KA021407	軸承鎖緊螺帽	Bearing Locking Nut		1
11	KA021500	主軸帶輪	Spindle pully		1
12	SA000093	單列深槽滾珠軸承	ball bearing	6008VV	2
13	KA021304	主輪台主軸	Work head spindle		1
14	SH200264	O型環	O ring	P48	1
15	KA022109	主輪台前蓋	Workhead front cover		1
16	SD011077	六角孔螺絲	Hex. Socket screw	M6x1x20L	1
17	KA022202	主軸帶動盤	Spindle Driving Disk		1
18	SD011077	六角孔螺絲	Hex. Socket screw	M6x1x20L	1
19	KA022305	主輪軸離合器	Work Head Spindle Clutch		1
20	SD011053	六角孔螺絲	Hex. Socket screw	M6x1x16L	1
21	KA022408	半月形帶動片	Driving Plate		1
22	SD011541	六角孔螺絲	Hex. Socket screw	M8x1.25x20	1
23	KA022501	帶動桿	Grip		1
24	KA022604	防水護板	Water proof plate		1
25	SD010643	六角孔螺絲	Hex. Socket screw	M5x0.8x12L	2
26	SC100027	鎢鋼固定頂心(AA)	Center	MT3# C10	1





SHARP	■ 名 (NAME)	核准 (APPROVE)	日期 (DATE)	圖號 (NUMBER)
	三輪軸組(SC)Workhand spindle combination(SC)	沈世權	2004.07.13	G10P2012

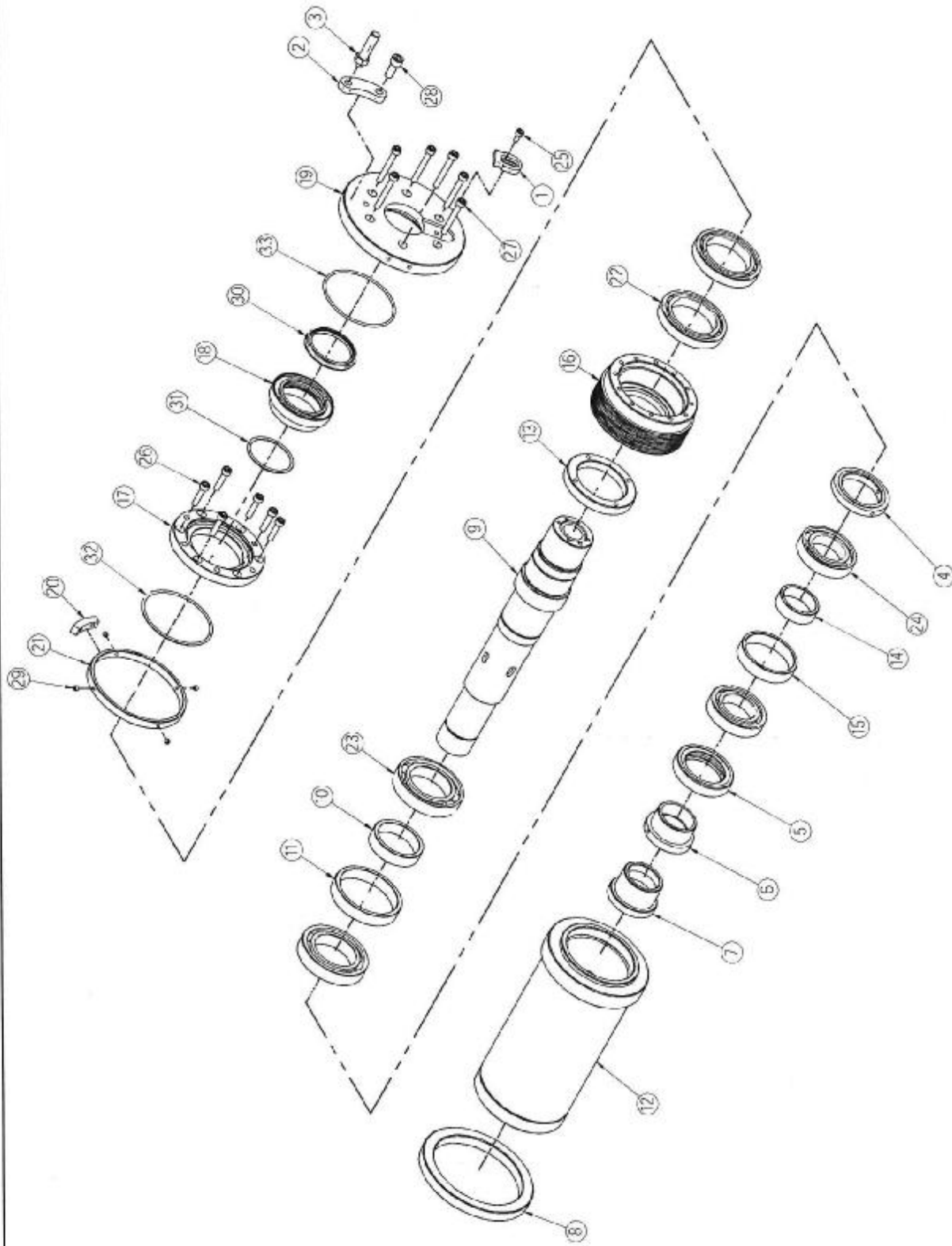


圖號(NUMBER):	G10P2012
圖名(DRAWING):	主輪軸組 (5C)
	Work hand spindle combination (5C)
日期 DATE):	2004.07.13
頁數(PAGE):	1-2

NO.	件號/Parts No.	件名	Description	Remarks	Qty.
1	AC000103	5C裝置	5C Attachment		1
2	KA026110	皮帶護罩(外)	Belt cover		1
3	SD011039	六角孔螺絲	Hex. Socket screw	M6x1x10L	3
4	KA029704	皮帶護罩(內)	Belt cover		1
5	SD011077	六角孔螺絲	Hex. Socket screw	M6x1x20L	4
6	KA026404	調整螺帽	Adjusting nut	5C	1
7	KA025308	主輪台螺帽	Workhead nut		1
8	KA025205	防塵螺帽	Dust proof nut		1
9	SH210120	O型環	O ring	G80	1
10	SA030049	斜角滾珠軸承	Angular Ball Bearing	7010C	2
11	KA025009	主輪台	Workhead	5C	1
12	SE300030	C型外扣環	C-Clip Ring	軸用S10	1
13	KA028301	環銷	Ring pin		1
14	SD011118	六角孔螺絲	Hex. Socket screw	M6x1x35L	3
15	KA028208	托架	Bracket		1
16	KA028002	連環	Connection ring		1
17	SD200068	六角頭螺帽	Hexagonal nut	M12x1.75	2
18	KA028105	支軸螺絲	Coolar screw		2
19	KA028909	心軸	Spindle	5C	1
20	SD030661	固定螺絲	Fixed Screw	M6x1x16L	1
21	KA029106	主軸帶輪	Spindle pully	5C	1
22	SA000921	單列深槽滾珠軸承	ball bearing	6911VV	2
23	KA029209	鎖緊螺帽	Locking nut	5C	1
24	KA022109	主輪台前蓋	Workhead front cover		1
25	SD011077	六角孔螺絲	Hex. Socket screw	M6x1x20L	1
26	KA029003	主軸帶動盤	Spindle Driving Disk	5C	1
27	SD011077	六角孔螺絲	Hex. Socket screw	M6x1x20L	1
28	KA022305	主輪軸離合器	Work Head Spindle Clutch		1
29	SD011053	六角孔螺絲-	Hex. Socket screw	M6x1x16L	1
30	KA022604	防水護板	Water proof plate		1
31	SD010643	六角孔螺絲	Hex. Socket screw	M5x0.8x12L	2
32	KA022408	半月形帶動片	Driving Plate		1
33	KA022501	帶動桿	Grip		1

圖號(NUMBER):	G10P2012
圖名(DRAWING):	主輪軸組 (5C) Work hand spindle combination (5C)
日期 DATE):	2004.07.13
頁數(PAGE):	2-2

NO.	件號/Parts No.	件名	Description	Remarks	Qty.
34	SD011541	六角孔螺絲	Hex. Socket screw	M8x1.25x20L	1
35	SC100015	錫鋼固定頂心	Center	MT 3#	1



圖名 (NAME): 主軸台主軸 (Workhead spindle)  
 核准 (APP): 吳冠華  
 日期 (DATE): 2008/10/22  
 圖號 (DRAWING NO.): AM02C910

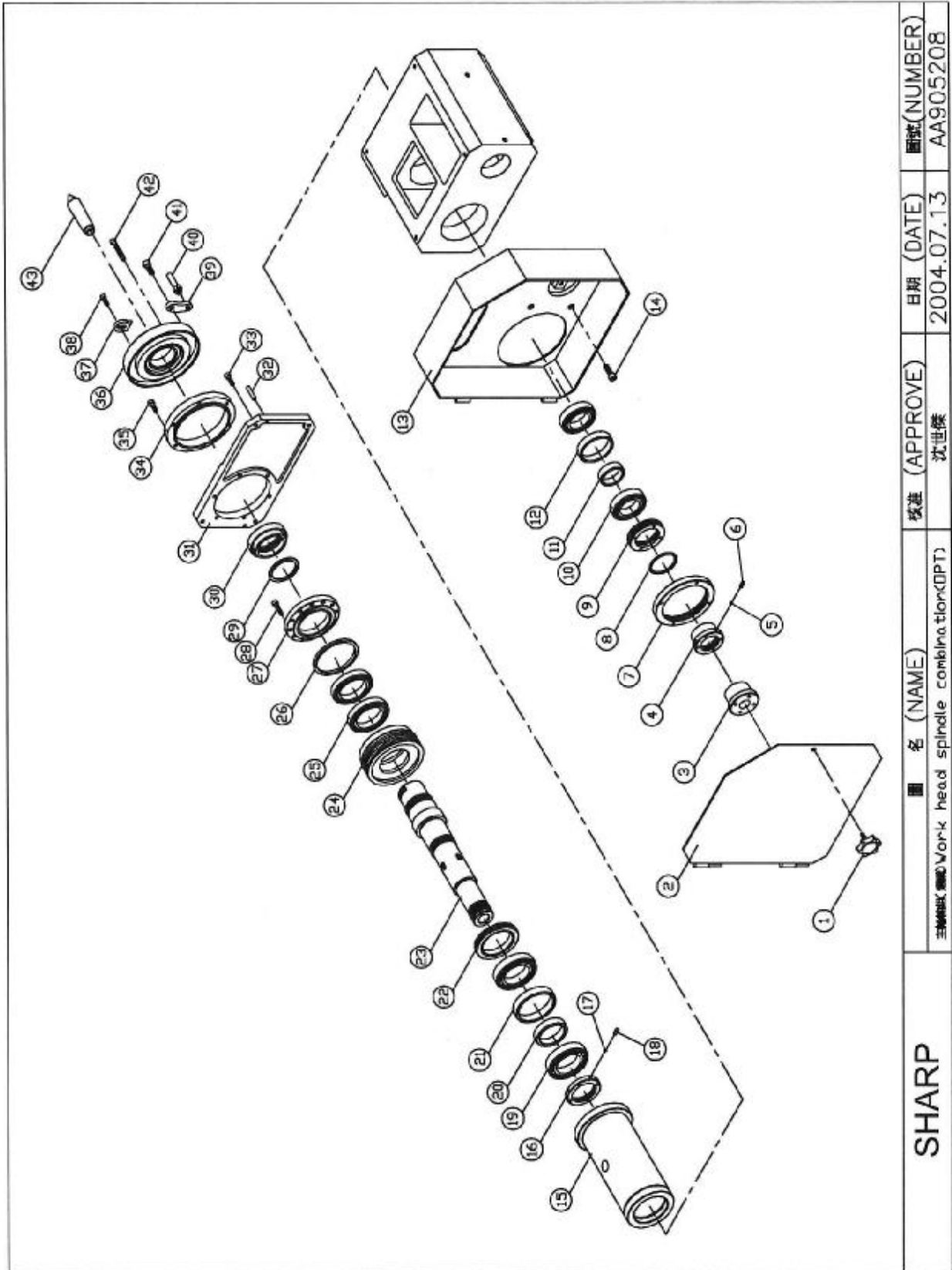
SHARP

圖號 (NUMBER)	AM020910
圖名 (DRAWING)	主輪台主軸 Workhead spindle
日期 (DATE)	2008/10/22
頁數 (PAGE)	1-1

NO.	Parts No.	件名	Description	Remarks	Qty.
1	KA022305	主輪軸離合器	Work head spindle clutch		1
2	KA022408	半月形帶動片	Half-moon crank		1
3	KA022501	帶動桿	Handle		1
4	KB021407	鎖緊螺帽	Setting nut		1
5	KB022109	鎖緊螺帽	Setting nut		1
6	KB022202	鎖緊螺帽	Setting nut		1
7	KB024503	固定螺帽	Fixed nut		1
8	KC022312	鎖緊螺帽	Setting nut		1
9	KM020911	主輪軸 (MT3)	Work head spindle(MT3)		1
10	KM021005	內間隔環	Inner spacer		1
11	KM021108	外間隔環	Outer spacer		1
12	KM021218	主軸套筒	Work head sleeve		1
13	KM021304	鎖緊螺帽	Setting nut		1
14	KM021407	內間隔環	Inner spacer		1
15	KM021500	外間隔環	Outer spacer		1
16	KM021603	平皮帶輪	Pulley		1
17	KM021706	防塵蓋	Dust cover		1
18	KM021809	前防塵螺帽	Front dust proof nut		1
19	KM021920	主軸帶動盤	Spindle driver		1
20	KM025900	定位塊	Setting block		1
21	KM026000	主軸定位間隔環	Spindle setting spacer		1
22	SA000921	單列深溝滾珠軸承	Ball bearing	6911VV	2
23	SA030040	斜角滾珠軸承	Angular ball bearing	7010A	2
24	SA030317	精密斜角滾珠軸承	Angular ball bearing	7008CP4	2
25	SD010636	沉頭六角孔螺絲	Hex. socket screw	M5x0.8x10L	1
26	SD011084	沉頭內六角螺絲	Hex. socket screw	M6x1x25L	6
27	SD011132	沉頭內六角螺絲	Hex. socket screw	M6x1x45	6
28	SD011541	沉頭內六角螺絲	Hex. socket screw	M8x1.25x20L	1
29	SD030312	固定螺絲	Fixed screw	M5x0.8x5L	4
30	SH010455	油封:TC規格	Oil seal	TC50.62.7	1
31	SH210065	O型圈	O-Ring	G50	1
32	SH210120	O型圈	O-Ring	G80	1

圖號 (NUMBER)	AM020910
圖名 (DRAWING)	主輪台主軸 Workhead spindle
日期 (DATE)	2008/10/22
頁數 (PAGE)	1-1

NO.	Parts No.	件名	Description	Remarks	Qty.
33	SH210800	O型環	O-Ring	AS568-152	1



SHARP	名 (NAME)	核准 (APPROVE)	日期 (DATE)	圖號 (NUMBER)
	Work head spindle combination(DPT)	沈世傑	2004.07.13	AA905208

圖號(NUMBER):	AA905208
圖名(DRAWING):	主輪軸組(選購) Work head spindle combination(OPT)
日期 DATE):	2005.12.30
頁數(PAGE):	1-2

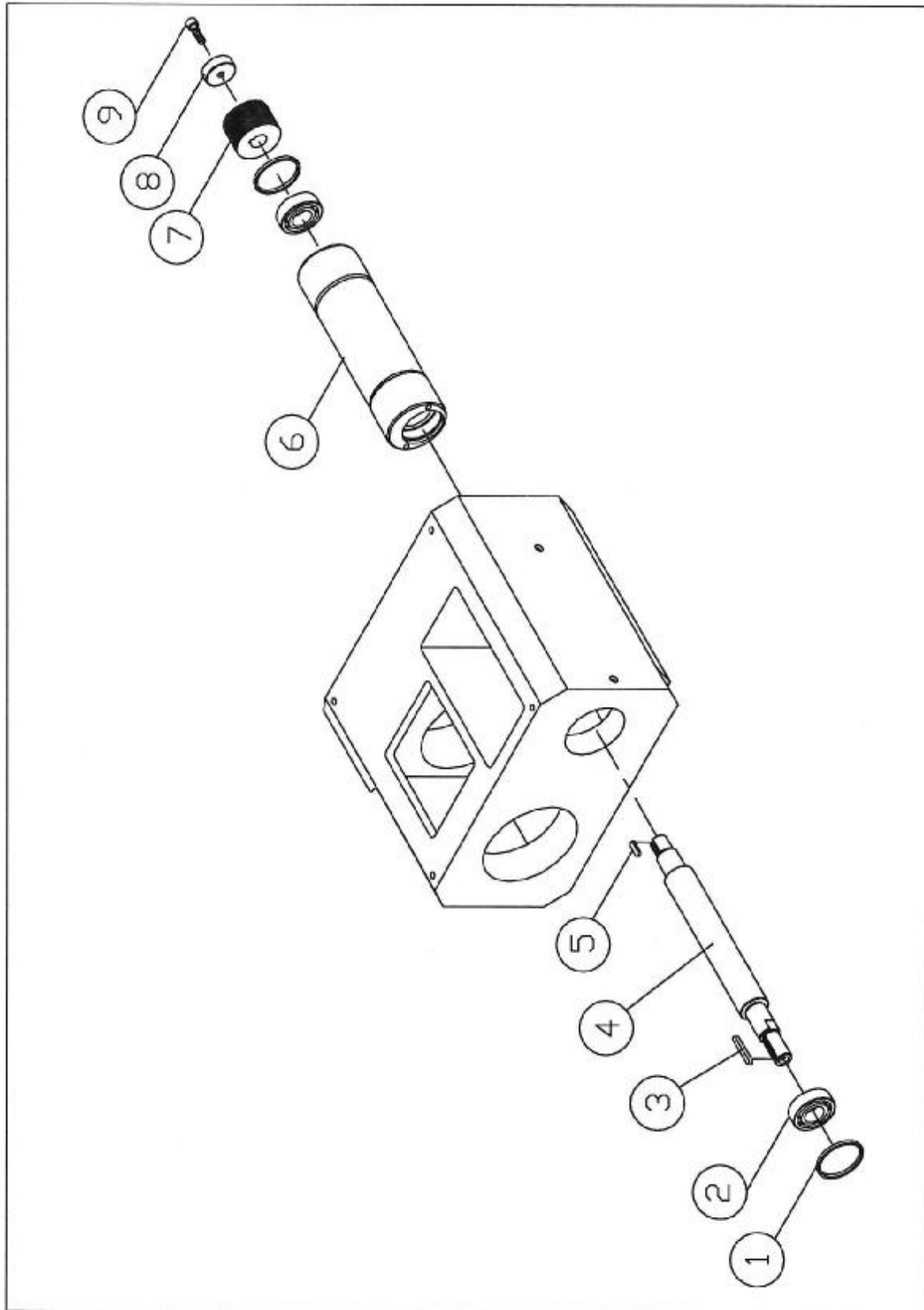
NO.	件號/Parts No.	件名	Description	Remarks	Qty.
1	SE650027	梅花螺絲把手	Driving screw	1/4"*1"	1
2	KM023100	皮帶護罩蓋	Pulley guard		1
3	KB024503	固定螺帽	Fixed nut		1
4	KB022202	鎖緊螺帽	Locking nut		1
5	S2300010	銅條	Bronze Block	D4	1
6	SD030324	固定螺絲	Fixed Screw	M5x0.8x8L	2
7	KC022312	鎖緊螺帽	Locking nut	5C, M110*P1.5	1
8	SH200264	O型環	O ring	P48	1
9	KB022109	防塵螺帽	Dust proof nut		1
10	SA030317	精密斜角滾珠軸承	Angular Contact Ball Bearing	7008CP4	2
11	KM021407	內間隔環	Inner spacing ring		1
12	KM021500	外間隔環	Outer spacer		1
13	KM023007	皮帶護罩	Belt cover		1
14	SD011077	六角孔螺絲	Hex. Socket screw	M6x1x20L	4
15	KM021218	主軸套筒	Spindle container		1
16	KB021407	鎖緊螺帽	Locking nut		1
17	S2300010	銅條	Bronze Block	D4	1
18	SD030324	固定螺絲	Fixed Screw	M5x0.8x8L	2
19	SA030324	精密斜角滾珠軸承	Angular Contact Ball Bearing	7010CP4	2
20	KM021005	內間隔環	Inner spacing ring		1
21	KM021108	外間隔環	Outer spacer		1
22	KM021304	鎖緊螺帽	Locking nut		1
23	KM020901	主輪軸	Work head spindle	MT3	1
24	KM021603	多溝小V皮帶輪	Pulley		1
25	SA000921	單列深槽滾珠軸承	ball bearing	6911VV	2
26	SH210120	O型環	O ring	G80	1
27	KM021706	防塵蓋	Dust cover		1
28	SD011084	六角孔螺絲	Hex. Socket screw	M6x1x25L	6
29	SH210065	O型環	O ring	G50	1
30	KM021809	前防塵螺帽	Front dust proof nut		1
31	KM022305	主輪台前護罩	Work Head Front Guard		1
32	SE040060	斜銷	Taper Pin	φ 6x30L	2
33	SD030685	固定螺絲	Fixed Screw	M6x1x20L	4



圖號(NUMBER):	AA905208
圖名(DRAWING):	主輪軸組(選購) Work head spindle combination(OPT)
日期(DATE):	2005.12.30
頁數(PAGE):	2-2

NO.	件號/Parts No.	件名	Description	Remarks	Qty.
34	KM022408	防塵護罩	Dust guard		1
35	SD030685	固定螺絲	Fixed Screw	M6x1x20L	6
36	KM021910	主軸帶動盤	Spindle Driving Disk		1
37	KA022305	主輪軸離合器	Work Head Spindle Clutch		1
38	SD011053	六角孔螺絲	Hex. Socket screw	M6x1x16L	1
39	KA022408	半月形帶動片	Driving Plate		1
40	KA022501	帶動桿	Grip		1
41	SD011541	六角孔螺絲	Hex. Socket screw	M8x1.25x20L	1
42	SD011132	六角孔螺絲	Hex. Socket screw	M6x1x45L	6
43	SC100027	錫鋼固定頂心(AA)	Center	MT3# C10	1

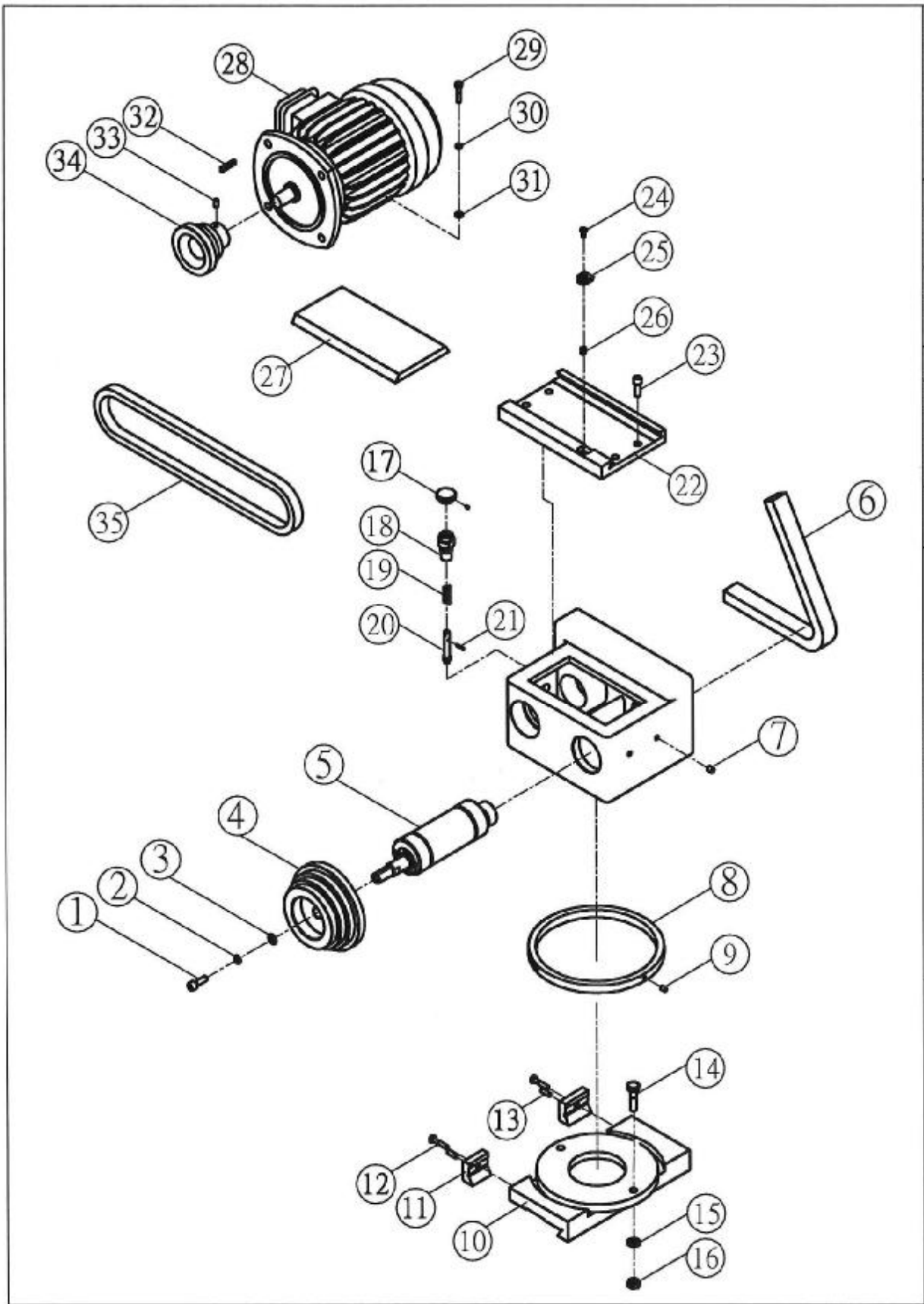




SHARP	圖名 (NAME) 偏心軸組(Oval shaft combination(OPT))	核准 (APPROVE) 沈世傑	日期 (DATE) 2004.07.13	圖號 (NUMBER) AMC22006
-------	--	---------------------	-------------------------	-------------------------

圖號(NUMBER):	AM022006
圖名(DRAWING):	偏心軸組 (選購) Oval shaft combination (OPT)
日期(DATE):	2004.07.13
頁數(PAGE):	1-1

NO.	件號/Parts No.	件名	Description	Remarks	Qty.
1	SE310020	C型內扣環	C type inter pertaining ring	孔用C42	2
2	SA000055	單列深槽滾珠軸承	ball bearing	6004	2
3	SE100041	雙頭圓鍵	Groove key	4x4x30L	1
4	KM022006	主輪台起動軸	Work head starting shaft		1
5	SE100072	雙頭圓鍵	Groove key	5x5x12L	1
6	KM022109	主輪台偏心套筒	Work head oval sleeve		1
7	KM022202	多溝小V皮帶輪	Pulley		1
8	KB023708	墊圈	Washer		1
9	SD030685	固定螺絲	Fixed Screw	M6x1x20L	1

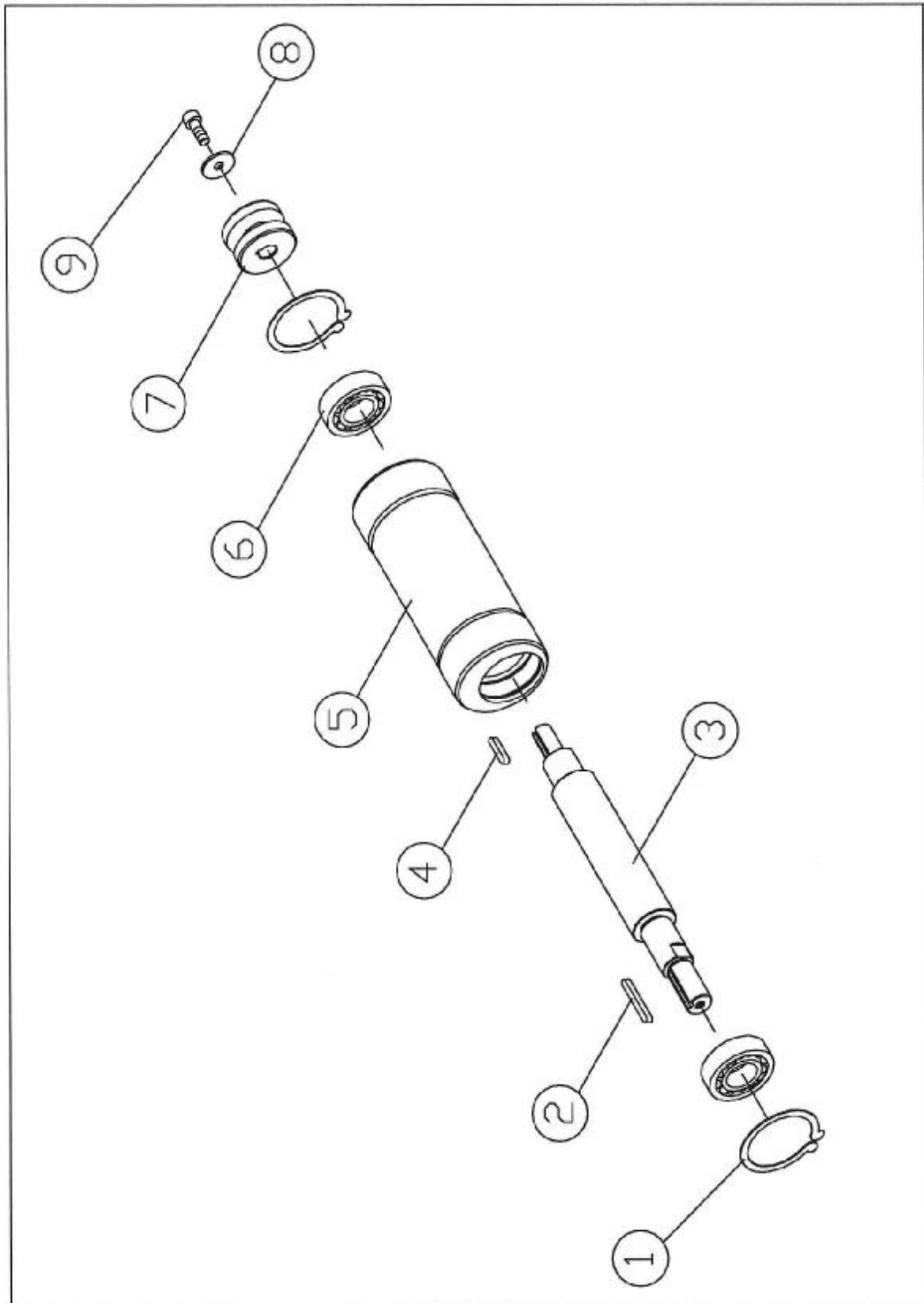


SHARP	圖名 (NAME) 傳動軸組 Shaft combination & Workhead 核准 (APPROVE) 沈世傑 日期 (DATE) 2004.07.13 圖號 (NUMBER) AA029601
-------	---

圖號(NUMBER):	AA029601
圖名(DRAWING):	傳動軸組
	Shaft combination & Workhead
日期(DATE):	2004.07.13
頁數(PAGE):	1-2

NO.	件號/Parts No.	件名	Description	Remarks	Qty.
1	SD011077	六角孔螺絲	Hex. Socket screw	M6x1x20L	1
2	SD810032	彈簧墊圈	Spring washer	M6	1
3	SD800035	平墊圈	Washer	M6(1/4)	1
4	KA022707	起動軸皮帶輪	Pulley		1
5	G10P2004	偏心套筒組合	Oval sleeve		1
6	SB180061	多溝小V皮帶	V-Belt	220Jx10	1
7	SD030960	固定螺絲	Fixed Screw	M8x1.25x20L	2
8	KA020303	日盛環	Dial ring		1
9	SD030647	固定螺絲	Fixed Screw	M6x1x10L	2
10	KA029601	主輪台下滑板	Workhead lower sliding plate		1
11	KA020406	下滑板固定塊(右)	Lower Setting Block		2
12	SD011558	六角孔螺絲	Hex. Socket screw	M8x1.25x25L	2
13	SE010162	彈簧梢	Spring pin	φ 4x25L	4
14	SD070683	六角頭螺絲	Hex.Head Screw	M10x1.5x35L	2
15	SD810056	彈簧墊圈	Spring washer	M10	2
16	SD200051	六角頭螺帽	Hexagonal nut	M10x1.5	2
17	KA021201	固定旋鈕	Drive block		1
18	KA021108	固定栓座	Fixed Pin Seat		1
19	KA021005	壓縮彈簧	Spring		1
20	KA020901	主軸固定栓	Spindle Setting Bolt		1
21	KA025803	主軸固定栓	Spindle Setting Bolt		1
22	SE010069	彈簧梢	Spring pin	φ 3x20L	2
23	KA022800	馬達架下座	Mount Motor Lower Holder		1
24	SD011101	六角孔螺絲	Hex. Socket screw	M6x1x30L	4
25	SD050775	平頭六角孔螺絲	Flat socker screw	M6x1x16L	1
26	KA023007	製動銷子	Fixed Plate		1
27	KA023100	壓縮彈簧	Spring		1
28	KA022903	馬達架上座	Motor Fixed Plate		1
29	SK800224	交流馬達	Driving motor	1/4HP	1
30	SD070078	六角頭螺絲	Hex.Head Screw	M6x1x20L	4
31	SD810032	彈簧墊圈	Spring washer	M6	4
32	SD800035	平墊圈	Washer	M6(1/4)	4
33	SE100041	雙頭圓鍵	Groove key	4x4x30L	1





09-4

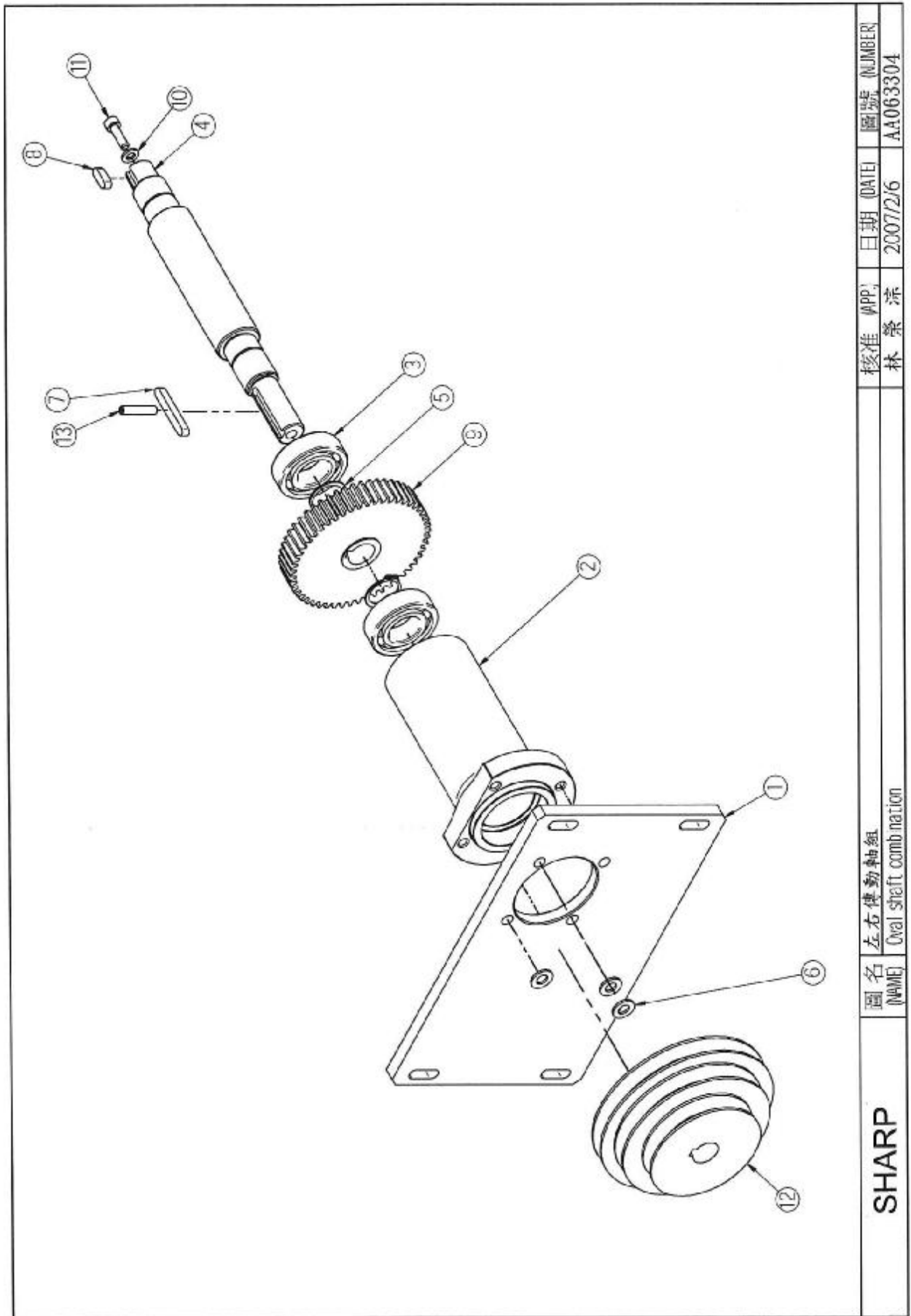
SHARP

名稱 (NAME)	核准 (APPROVE)	日期 (DATE)	圖號 (NUMBER)
傳動軸組 Oval shaft combination	沈世傑	2004.07.13	G10P2004

圖號(NUMBER):	G10P2004
圖名(DRAWING):	傳動軸組 Oval shaft combination
日期 DATE):	2004.07.13
頁數(PAGE):	1-1

NO.	件號/Parts No.	件名	Description	Remarks	Qty.
1	SE310020	C型內扣環	C type inter pertaining ring	孔用C42	2
2	SE100041	雙頭圓鍵	Groove key	4x4x30L	1
3	KA021809	主軸起動軸	Spindle starting shaft		1
4	SE100072	雙頭圓鍵	Groove key	5x5x12L	1
5	KA021902	偏心套筒	Oval sleeve		1
6	SA000055	單列深槽滾珠軸承	ball bearing	6004	2
7	KA022006	小皮帶輪	Pully (Little)		1
8	SD800035	平墊圈	Washer	M6(1/4)	1
9	SD030685	固定螺絲	Fixed Screw	M6x1x20L	1

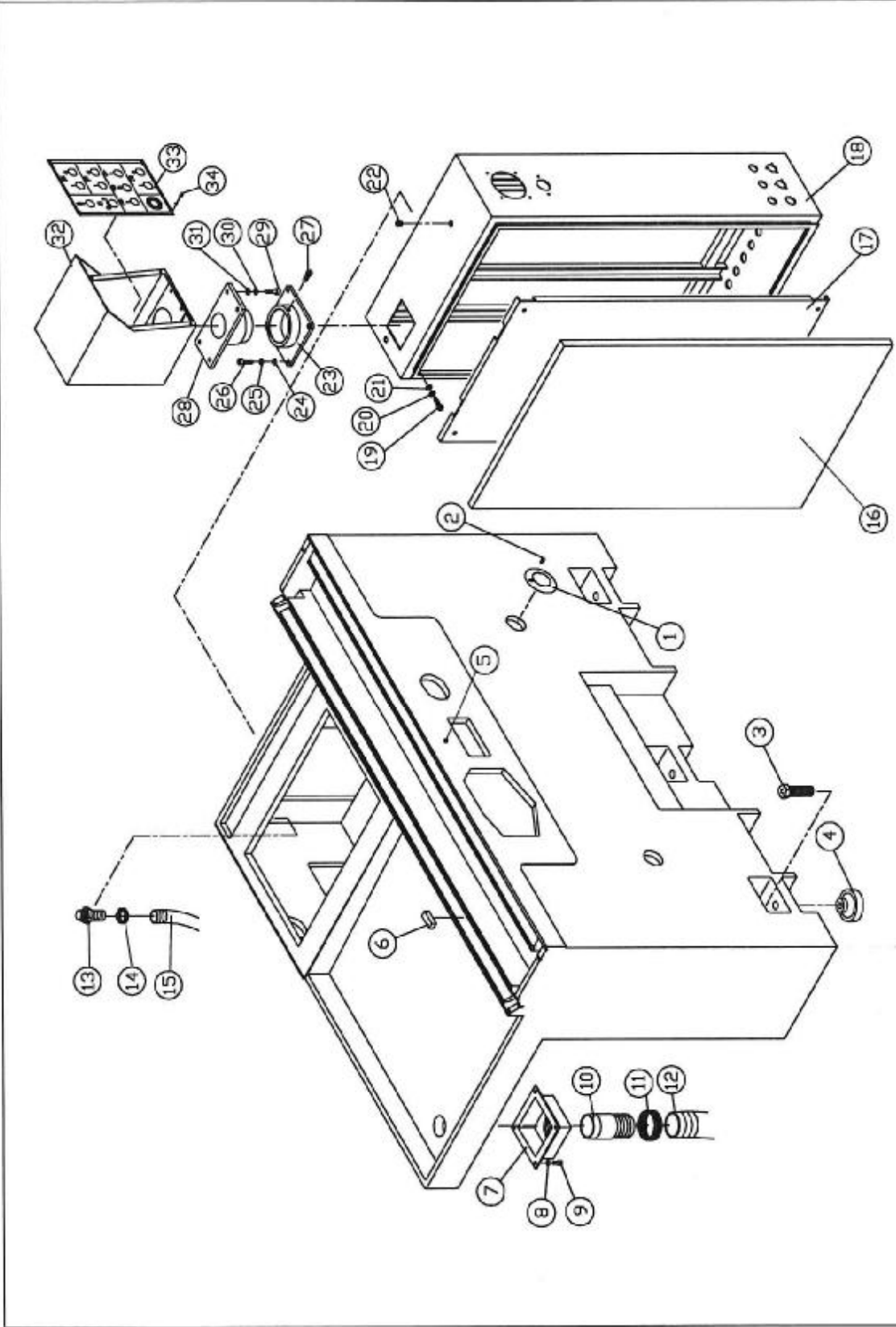




SHARP	圖名 (NAME) 左右傳動軸組 Oval shaft comb nation	核准 (APP.) 林榮涼	日期 (DATE) 2007/2/6	圖號 (NUMBER) AA063304
-------	---	------------------	-----------------------	-------------------------

圖號(NUMBER):	AA063304
圖名(DRAWING):	左右傳動軸組 Oval shaft combination
日期(DATE):	2007.02.07
頁數(PAGE):	1-1

NO.	件號/Parts No.	件名	Description	Remarks	Qty.
1	KA063407	套筒固定板	Fixed plate		1
2	KA063500	軸承套筒	Bearing sleeve		1
3	SA000866	單列深槽滾珠軸承	ball bearing	6205ZZ	2
4	KA063304	皮帶輪軸	Pulley shaft		1
5	SE300092	C型外扣環	C-Clip Ring	S25	2
6	SD800042	平墊圈	Washer	軸用S25	4
7	SE100199	雙頭圓鍵	Groove key	M8(5/16)	1
8		雙頭圓鍵	Groove key	6x6x18	1
9	KA061106	齒輪	Gcar	D110*L23	1
10	SD800035	平墊圈	Washer	M6(1/4)	1
11	SD011077	六角孔螺絲	Hex. Socket screw	M6x1x20L	1
12	KA064000	皮帶輪	Pulley		1
13	SD030702	固定螺絲	Fixed Screw	M6x1x30L	1

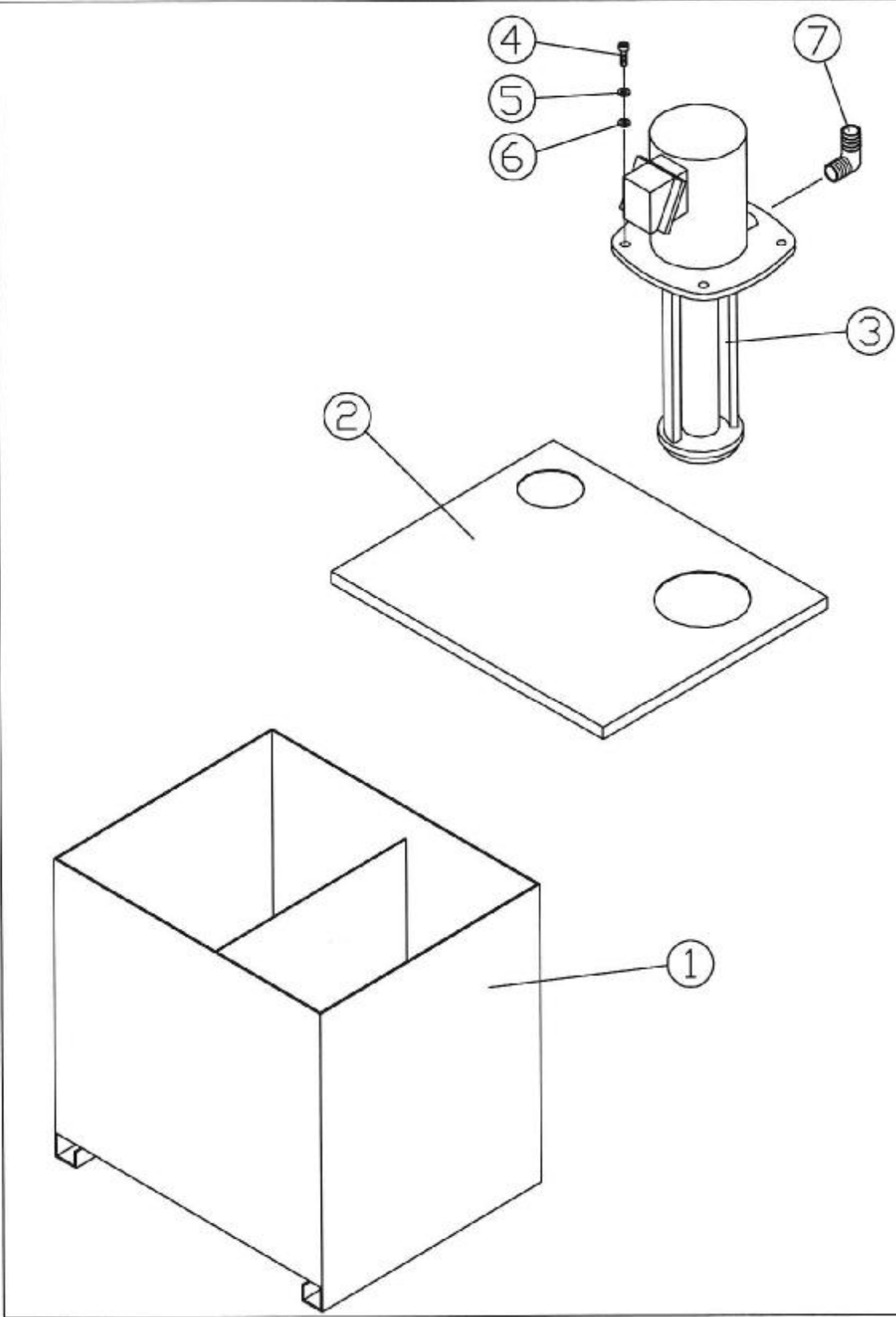


SHARP	電器箱 Electrical cabinet	圖名 (NAME)	核准 (APPROVE)	日期 (DATE)	圖號 (NUMBER)
			沈世傑	89.05.06	AA905703

圖號(NUMBER):	AA905703
圖名(DRAWING):	電器箱 Electrical cabinet
日期 DATE):	96.02.05
頁數(PAGE):	1-2

NO.	件號/Parts No.	件名	Description	Remarks	Qty.
1	KB071804	吊孔蓋	Hold Cover		4
2	SD040053	圓頭六角孔螺絲	Round Head Socket Screw	M4x0.7x12L	4
3	KN070504	調整螺絲	Adjusting screw		5
4	K4052902	基礎墊塊	Leveling block		5
5	SG120014	潤滑分配閥	Lubricate distribute valve	PH-401	2
6	KA078100	鉛塊	Plumbum block		6
7	KM078409	洩水槽	Drain Sink		1
8	SD810032	彈簧墊圈	Spring washer	M6	4
9	SD011053	六角孔螺絲	Hex. Socket screw	M6x1x16L	4
10	KF170105	軟管接頭	Pipe connector		1
11	SF720029	管束	Tube nest	2+1/2"	1
12	SF200525	伸縮管	Expanding pipe	2+1/4"	1
13	SF260053	軟管接頭	Pipe connector	PT3/8xPE1/2	1
14					
15	SF200336	明包絲管	Hose	1/2"	1
16	KA076706	電氣箱蓋O	Electrical Cabinet Cover	G20P-50M,ADC	1
17	KA076809	電氣箱底板	Electrical Cabinet Plate	G20P-50M,ADC	1
18	KA076603	電氣箱	Electrical box	G20P-50M,ADC	1
19	SD011558	六角孔螺絲	Hex. Socket screw	M8x1.25x25L	4
20	SD810049	彈簧墊圈	Spring washer	M8	4
21	SD800042	平墊圈	Washer	M8(5/16)	4
22	SD031521	固定螺絲	Fixed Screw	M12x1.75x12L	2
23	KA076902	操作箱旋轉座	Control box's rotary seat	20P-50M,ADC	1
24	SD800042	平墊圈	Washer	M8(5/16)	4
25	SD810049	彈簧墊圈	Spring washer	M8	8
26	SD011565	六角孔螺絲	Hex. Socket screw	M8x1.25x30L	8
27	SD011541	六角孔螺絲	Hex. Socket screw	M8x1.25x20L	1
28	K4055503	操作箱支持座	Control box bracket		1
29	SD011565	六角孔螺絲	Hex. Socket screw	M8x1.25x30L	4
30	SD810049	彈簧墊圈	Spring washer	M8	4
31	SD800042	平墊圈	Washer	M8(5/16)	4
32	KA171400	操作箱	Control Box		1
33	KA161200	操作面板	Control panel		1

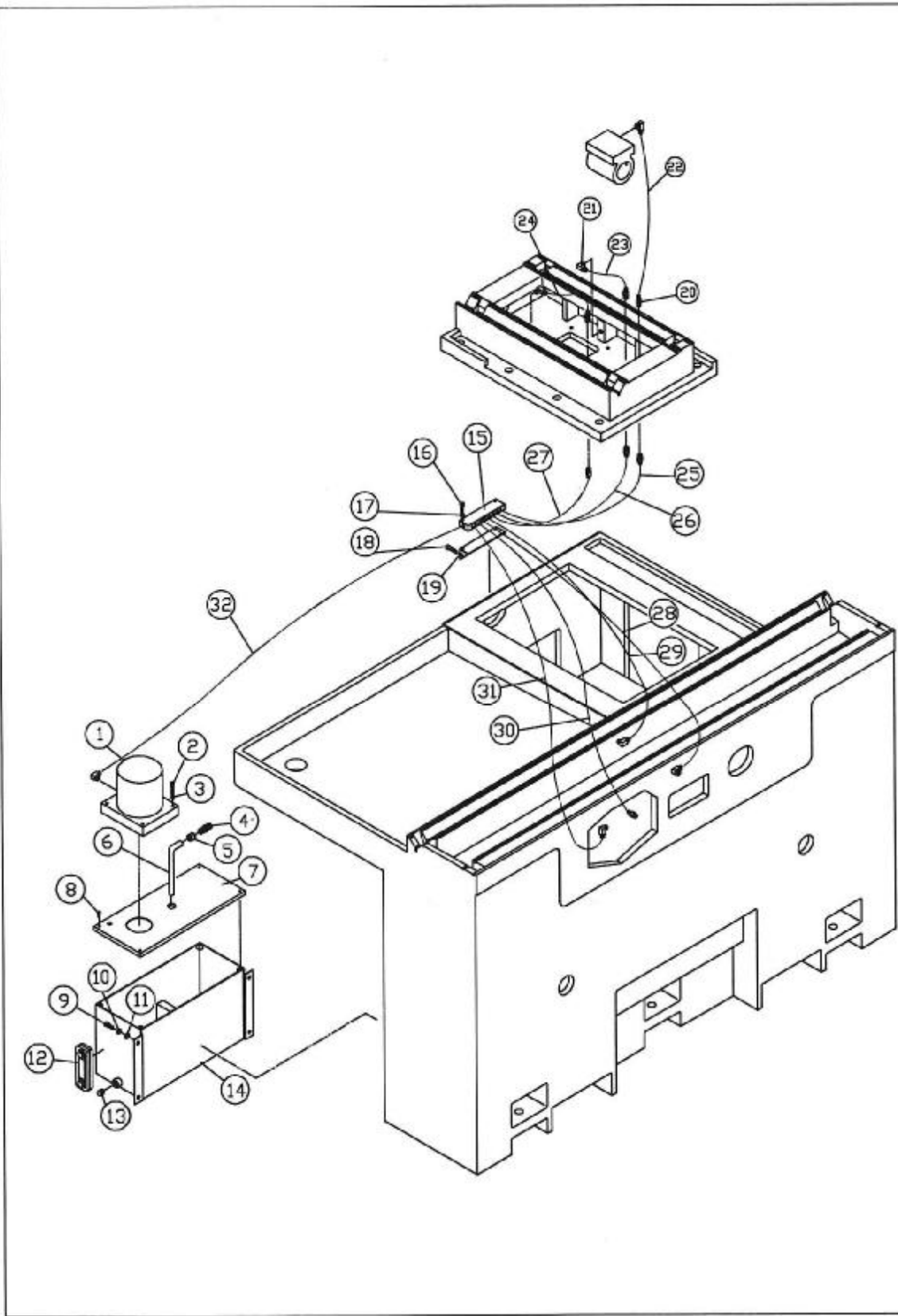




SHARP	水箱組	Coolant tank combination	核准 (APPROVE)	批准 (APPROVE)	日期 (DATE)	圖號 (NUMBER)
			沈世傑	沈世傑	89.08.09	AA900193



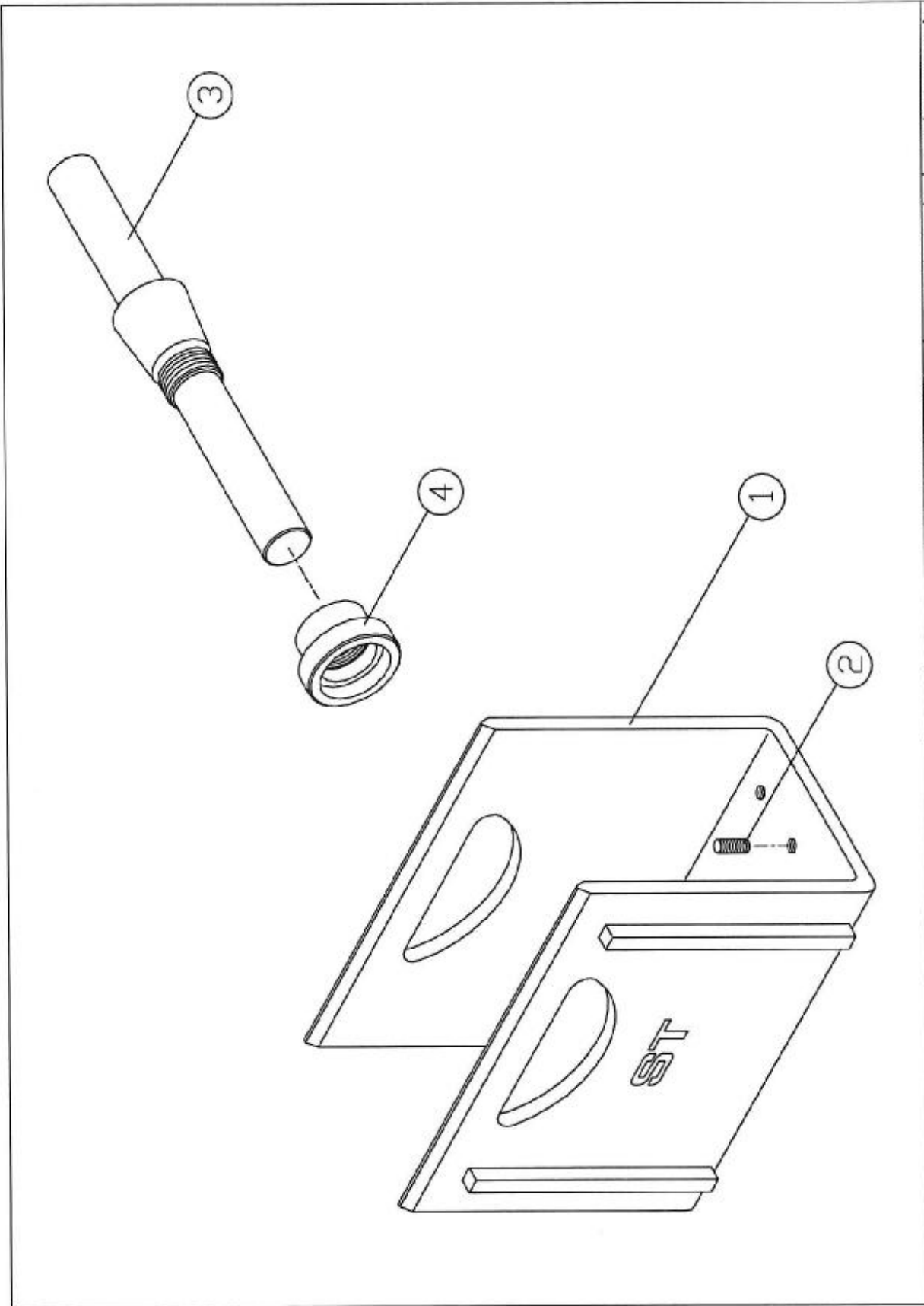




SHARP	潤滑系統圖	名 (NAME)	核准 (APPROVE)	日期 (DATE)	圖號 (NUMBER)
	Lubricate system	沈世傑	沈世傑	89.05.06	AA905710

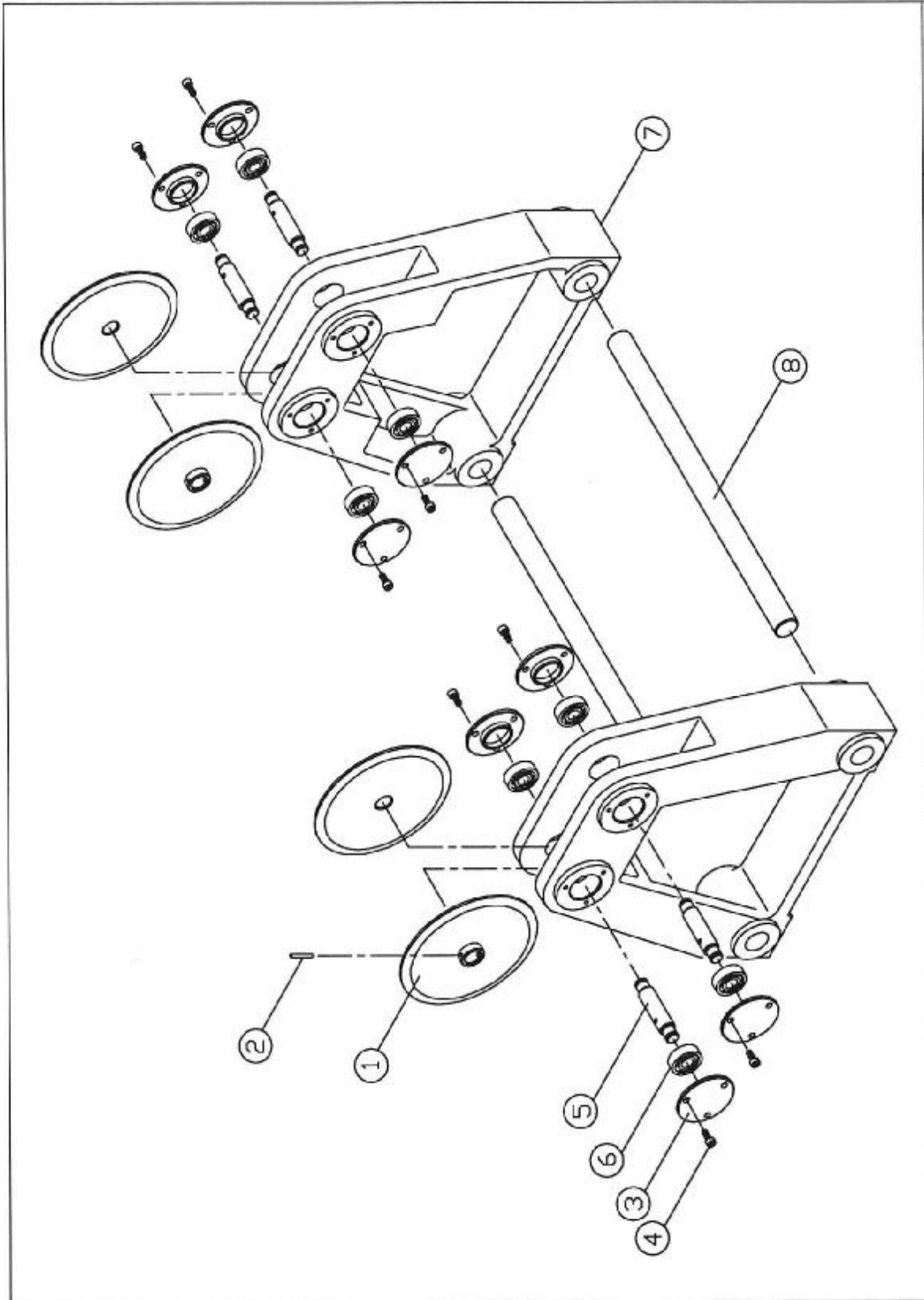
圖號(NUMBER):	AA905710
圖名(DRAWING):	潤滑系統
	Lubricate system
日期 DATE):	89.08.17
頁數(PAGE):	1-1

NO.	件號/Parts No.	件名	Description	Remarks	Qty.
1	SG230021	潤滑電磁幫浦	Lubricate pump	MS-1201	1
2	SD010698	六角孔螺絲	Hex. Socket screw	M5x0.8x30L	4
3	SD810025	彈簧墊圈	Spring washer	M5	4
4	SF150091	公牙管接頭	Elbow joint	PT1"xPS1"	1
5	SF440048	螺帽	Nut	φ 1/2	1
6	SF220330	銅管	Copper pipe	φ 1/2"	1
7	K7032100	集油槽蓋板	Oil box cover plate		1
8	SD010337	六角孔螺絲	Hex. Socket screw	M4x0.7x10L	4
9	SD011053	六角孔螺絲	Hex. Socket screw	M6x1x16L	4
10	SD810032	彈簧墊圈	Spring washer	M6	4
11	SD800035	平墊圈	Washer	M6(1/4)	4
12	SG530037	油面計	Oil level gauge	3"	1
13	SF670038	內六角牙管塞	Pipe closer	PT3/8	2
14	K7032007	集油槽	Oil box		1
15	SG180030	潤滑分配閥	Lubricate distribute valve	B-7	1
16	SD010674	六角孔螺絲	Hex. Socket screw	M5x0.8x20L	2
17	SD800028	平墊圈	Washer	M5(3/16)	2
18	SD011084	六角孔螺絲	Hex. Socket screw	M6x1x25L	1
19	KA078203	支持架	Steady rest		1
20	SG150015	潤滑分配閥	Lubricate distribute valve	PD-401	7
21	SG120014	潤滑分配閥	Lubricate distribute valve	PII-401	7
22	SF200013	透明塑膠管	Hose	4MM	1
23	SF200013	透明塑膠管	Hose	4MM	1
24	SF200013	透明塑膠管	Hose	4MM	1
25	SF200013	透明塑膠管	Hose	4MM	1
26	SF200013	透明塑膠管	Hose	4MM	1
27	SF200013	透明塑膠管	Hose	4MM	1
28	SF200013	透明塑膠管	Hose	4MM	1
29	SF200013	透明塑膠管	Hose	4MM	1
30	SF200013	透明塑膠管	Hose	4MM	1
31	SF200013	透明塑膠管	Hose	4MM	1
32	SF200013	透明塑膠管	Hose	4MM	1



SHARP	圖名 (NAME)	批准 (APPROVE)	日期 (DATE)	圖號 (NUMBER)
	平衡台 Slide way balancing stand	沈世傑	89.05.08	AA906405

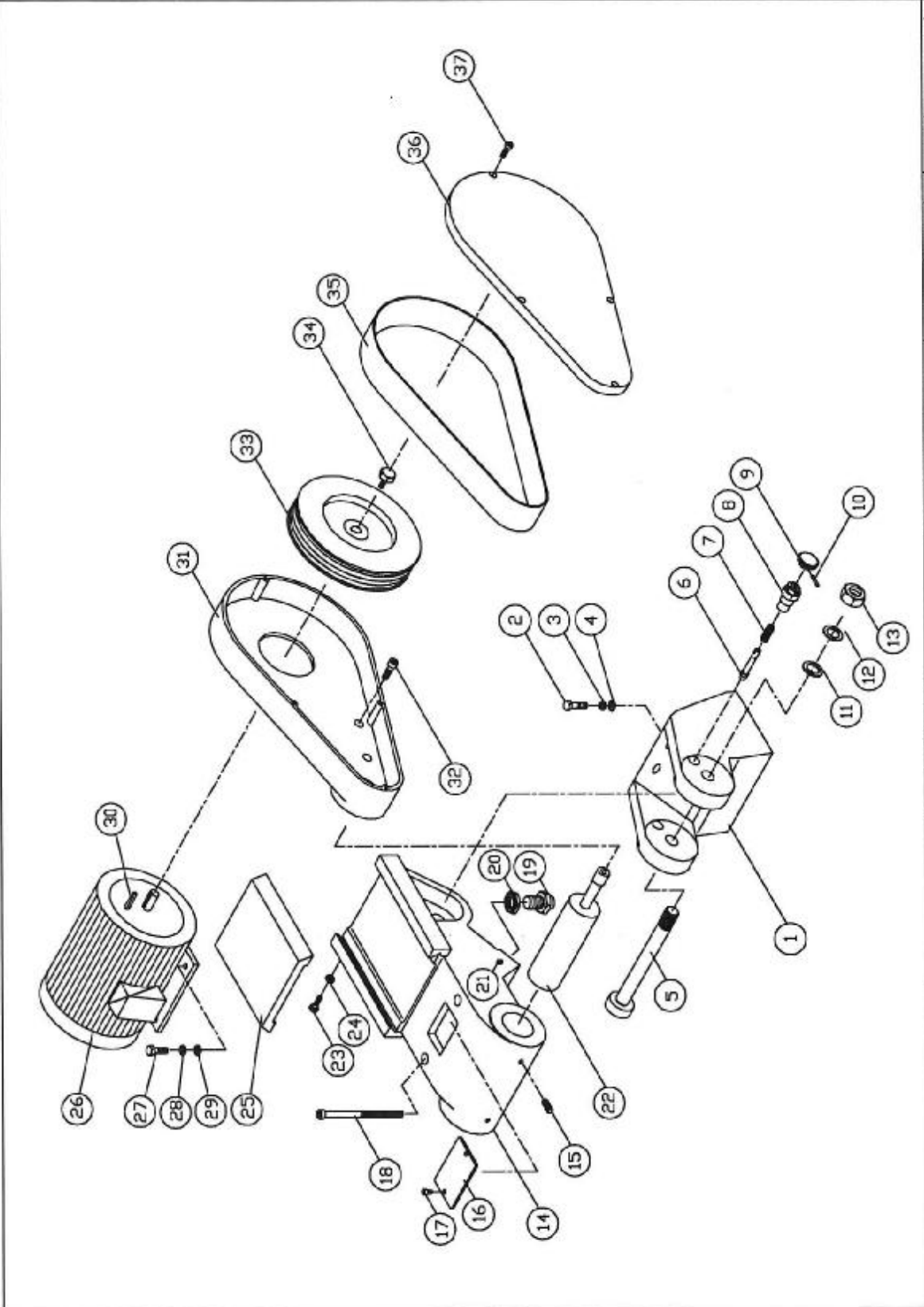




SHARP	圖名 (NAME)	核准 (APPROVE)	日期 (DATE)	圖號 (NUMBER)
	滾輪式平輸台 Roller baller disk	沈世傑	89.05.06	AC012700

圖號(NUMBER):	AC012700
圖名(DRAWING):	滾輪式平衡台
	Roller baller disk
日期(DATE):	89.08.17
頁數(PAGE):	1-1

NO.	件號/Parts No.	件名	Description	Remarks	Qty.
1	K7080505	轉盤	Rotating plate		4
2	SE010069	彈簧梢	Spring pin	$\phi$ 3x20L	4
3	K7080701	軸承蓋	Ball bering cover		8
4	SD010337	六角孔螺絲	Hex. Socket screw	M4x0.7x10L	24
5	K7080608	轉盤心軸	Rotating plate spindle		4
6	SA000017	單列深槽滾珠軸承	ball bearing	6000	8
7	KC012700	平衡台	Balancing stand		2
8	K7080804	連接桿	Connecting stick		2



SHARP	内孔磨装置	内孔磨装置	内孔磨装置	内孔磨装置
	Internal grinding attachment	Internal grinding attachment	Internal grinding attachment	Internal grinding attachment
	名 (NAME)	核准 (APPROVE)	日期 (DATE)	图号 (NUMBER)
		沈世傑	89.05.06	AA906302

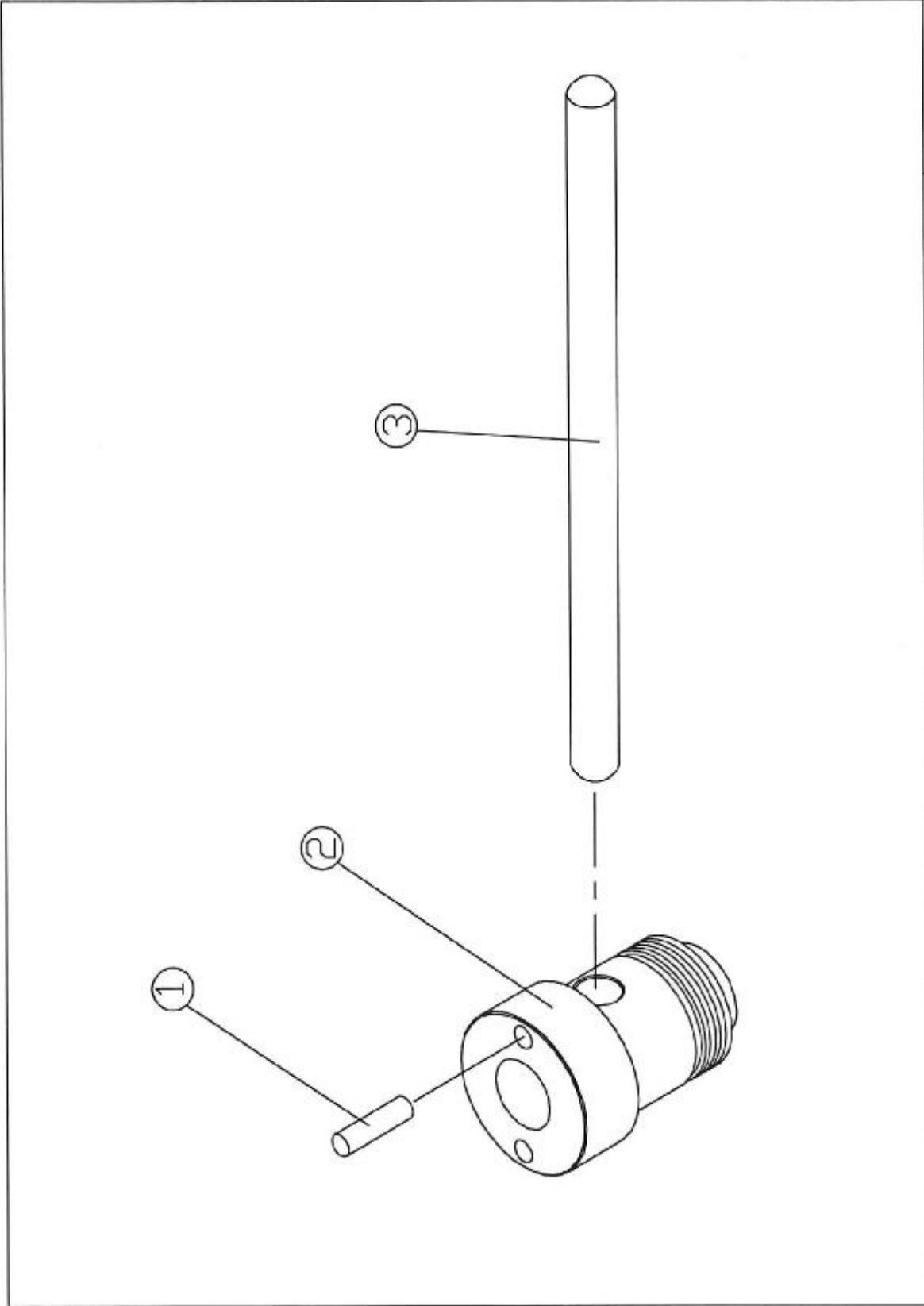


圖號(NUMBER):	AA906302
圖名(DRAWING):	內孔磨裝置
	Lvernal grinfiging attchment
日期(DATE):	89.08.17
頁數(PAGE):	1-2

NO.	件號/Parts No.	件名	Description	Remarks	Qty.
1	KA081203	內孔研磨架	Internal grinding bracket		1
2	SD011589	六角孔螺絲	Hex. Socket screw	M8x1.25x35L	4
3	SD810049	彈簧墊圈	Spring washer	M8	4
4	K1065607	墊圈	Washer		4
5	KA081502	支持桿	Supporting rod		1
6	KA020901	主軸固定栓	Spindle Setting Bolt		1
7	KA021005	壓縮彈簧	Spring		1
8	KA021108	固定栓座	Fixed Pin Seat		1
9	KA021201	固定旋鈕	Drive block		1
10	SE010069	彈簧梢	Spring pin	φ 3x20L	2
11	SD800341	平墊圈	Washer	3/4"	2
12	SD810348	彈簧墊圈	Spring washer	φ 3/4"	1
13	SD400095	六角頭螺帽	Hexagonal nut	3/4"(in)	1
14	KA081007	內孔研磨本體	Internal grinding unit		1
15	SD030960	固定螺絲	Fixed Screw	M8x1.25x20L	2
16	KA082008	孔蓋(二)	Hole cover (2)		1
17	SD040338	圓頭六角孔螺絲	Round Head Socket Screw	M5x0.8x10L	2
18	SD011792	六角孔螺絲	Hex. Socket screw	M8x1.25x160L	2
19	KA081306	調整螺絲	Adjusting screw		2
20	K3051105	逼緊螺帽	Fixed nut		2
21	SD030623	固定螺絲	Fixed Screw	M6x1x6L	2
22	KA083009	內孔磨主軸組合	Internal grinding spindle unit		1
23	SD070085	六角頭螺絲	Hex.Head Screw	M6x1x25L	3
24	SD200037	六角頭螺帽	Hexagonal nut	M6x1	3
25	KA081409	馬達導板	Motor's guide plate		1
26	SK800255	交流馬達	Driving motor	1/2HP	1
27	SD070078	六角頭螺絲	Hex.Head Screw	M6x1x20L	4
28	SD810032	彈簧墊圈	Spring washer	M6	4
29	SD800035	平墊圈	Washer	M6(1/4)	4
30	SE100041	雙頭圓鍵	Groove key	4x4x30L	1
31	KA081605	皮帶護罩	Belt cover		1
32	SD011558	六角孔螺絲	Hex. Socket screw	M8x1.25x25L	2
33	KA081708	馬達皮帶輪	Motor pulley		1

圖號(NUMBER):	AA906302
圖名(DRAWING):	內孔磨裝置
	Lernal grinfing attchment
日期 DATE:	89.08.17
頁數(PAGE):	2-2

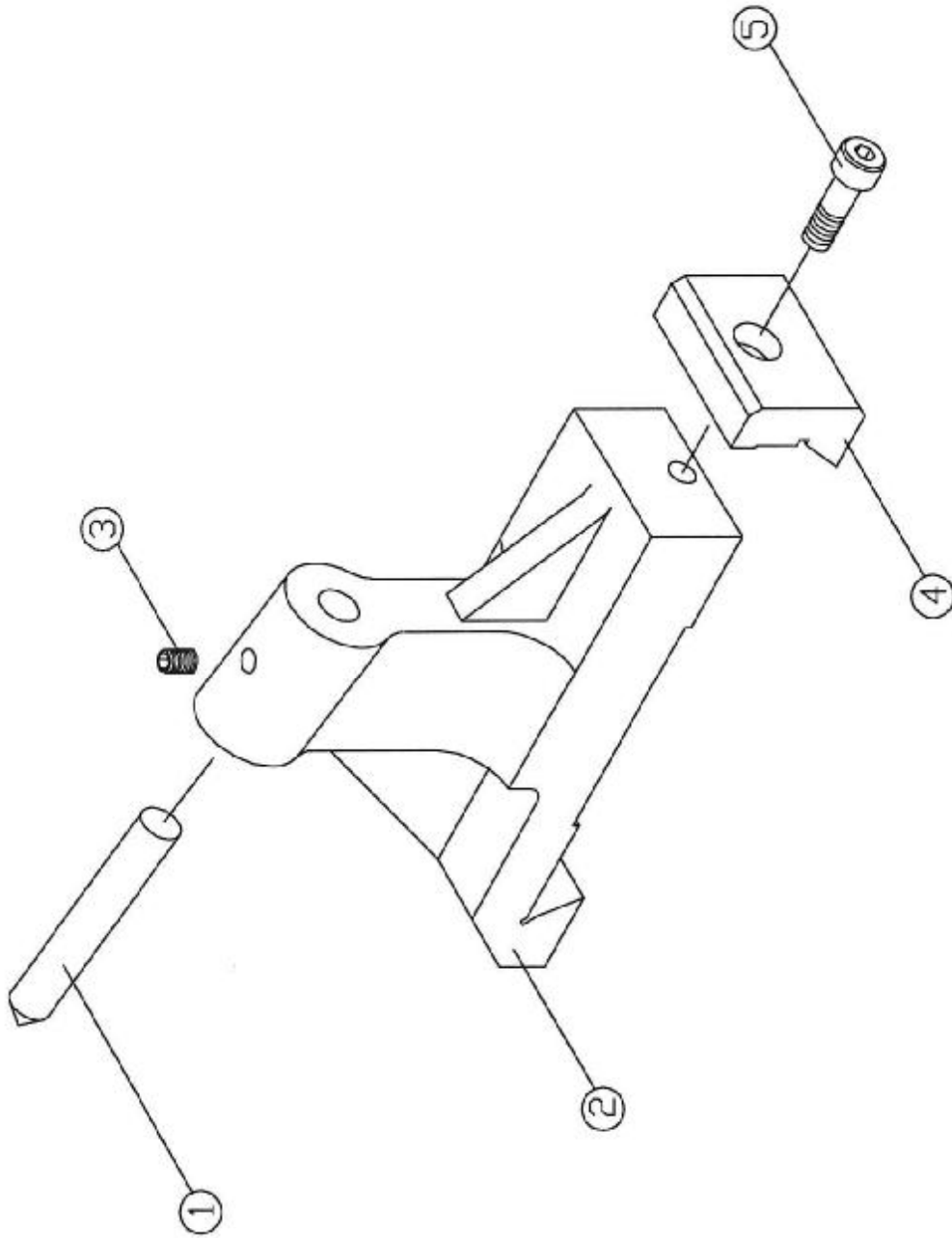
NO.	件號/Parts No.	件名	Description	Remarks	Qty.
34	KA081904	皮帶輪固定螺絲	Pulley setting screw		1
35	SB110024	平皮帶	Flat belt	935L*30W*1.2T	1
36	KA081801	護罩外蓋	Guard outer cover		1
37	SD011077	六角孔螺絲	Hex. Socket screw	M6x1x20L	4
38	KB162007	旋轉方向指標銘牌	Direction tag		1
39	SD270012	鉚釘	Rivet	φ 2	2



SHARP	圖名 (NAME)	核准 (APPROVE)	日期 (DATE)	圖號 (NUMBER)
	取石器組合 Extractor combination	沈世榮	89.05.06	AB012401

圖號(NUMBER):	AB012401
圖名(DRAWING):	取石器組合
	Extractor combination
日期(DATE):	89.08.17
頁數(PAGE):	1-1

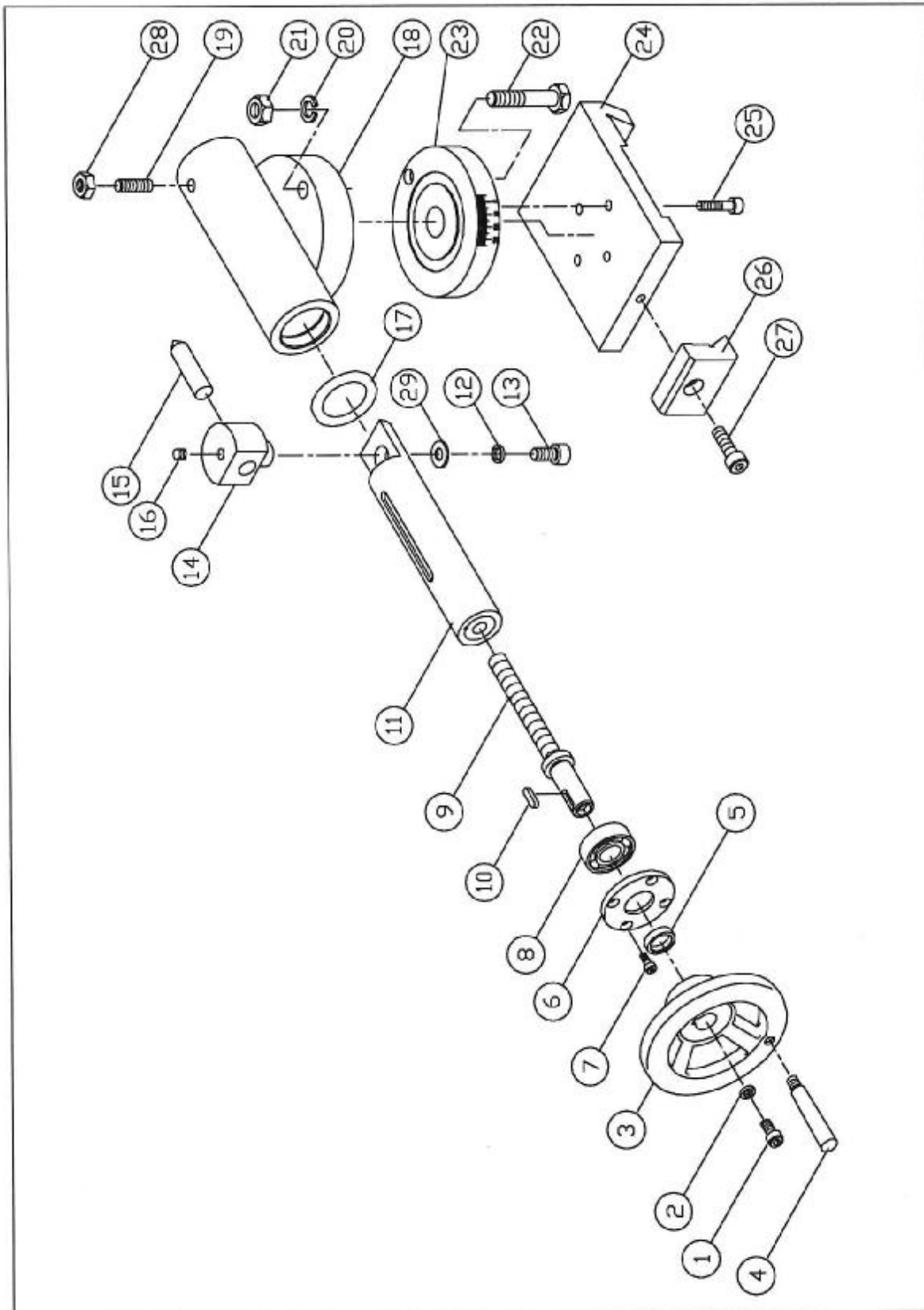
NO.	件號/Parts No.	件名	Description	Remarks	Qty.
1	SE020327	平行梢	Straight pin	φ 8x30L	2
2	KB012401	取石器	Wheel extractor		1
3	KB012504	取石器握桿	Extractor bar		1



SHARP	圖名 (NAME)	核准 (APPROVE)	日期 (DATE)	圖號 (NUMBER)
	砂輪修整裝置 Wheel dressing attachment	沈世傑	89.05.06	AA906106

圖號(NUMBER):	AA906106
圖名(DRAWING):	砂輪修整裝置
	Wheel dressing attachment
日期 DATE):	89.08.17
頁數(PAGE):	1-1

NO.	件號/Parts No.	件名	Description	Remarks	Qty.
1	SS330024	單點鑽石修刀	Diamond tool	#10	1
2	KA080501	砂輪修整座	Diamond dresser attachment	G20P-50M	1
3	SD030630	固定螺絲	Fixed Screw	M6x1x8L	1
4	KA020406	下滑板固定塊(右)	Lower Setting Block		1
5	SD011558	六角孔螺絲	Hex. Socket screw	M8x1.25x25L	1

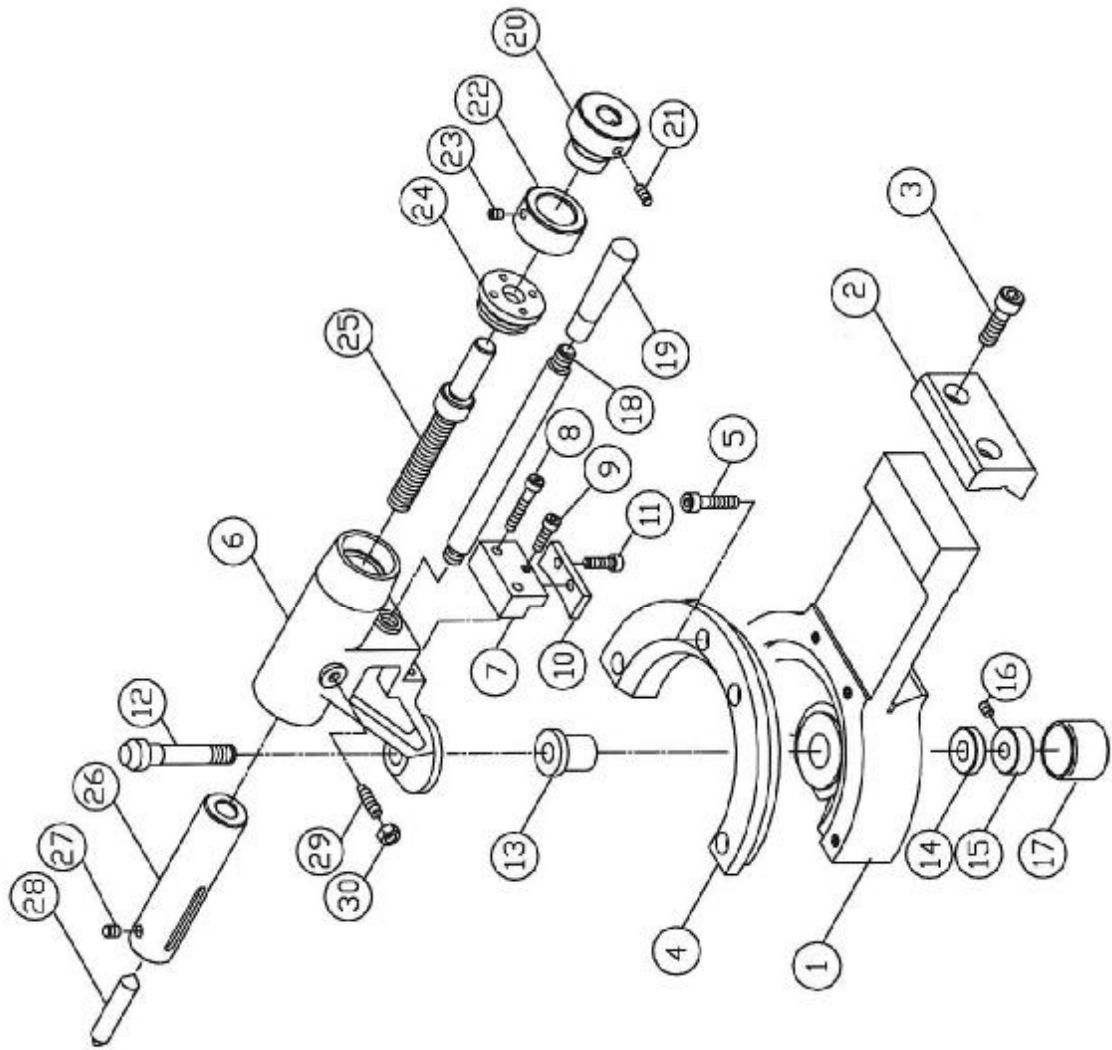


SHARP	核准 (APPROVE)	核准 (DATE)	圖號 (NUMBER)
	沈世傑	89.05.06	AA906113
角座修整裝置 Angle dressing attachment		名 (NAME)	



圖號(NUMBER):	AA906113
圖名(DRAWING):	角度修整裝置 Angle dressing attachment
日期 DATE):	89.08.17
頁數(PAGE):	1-1

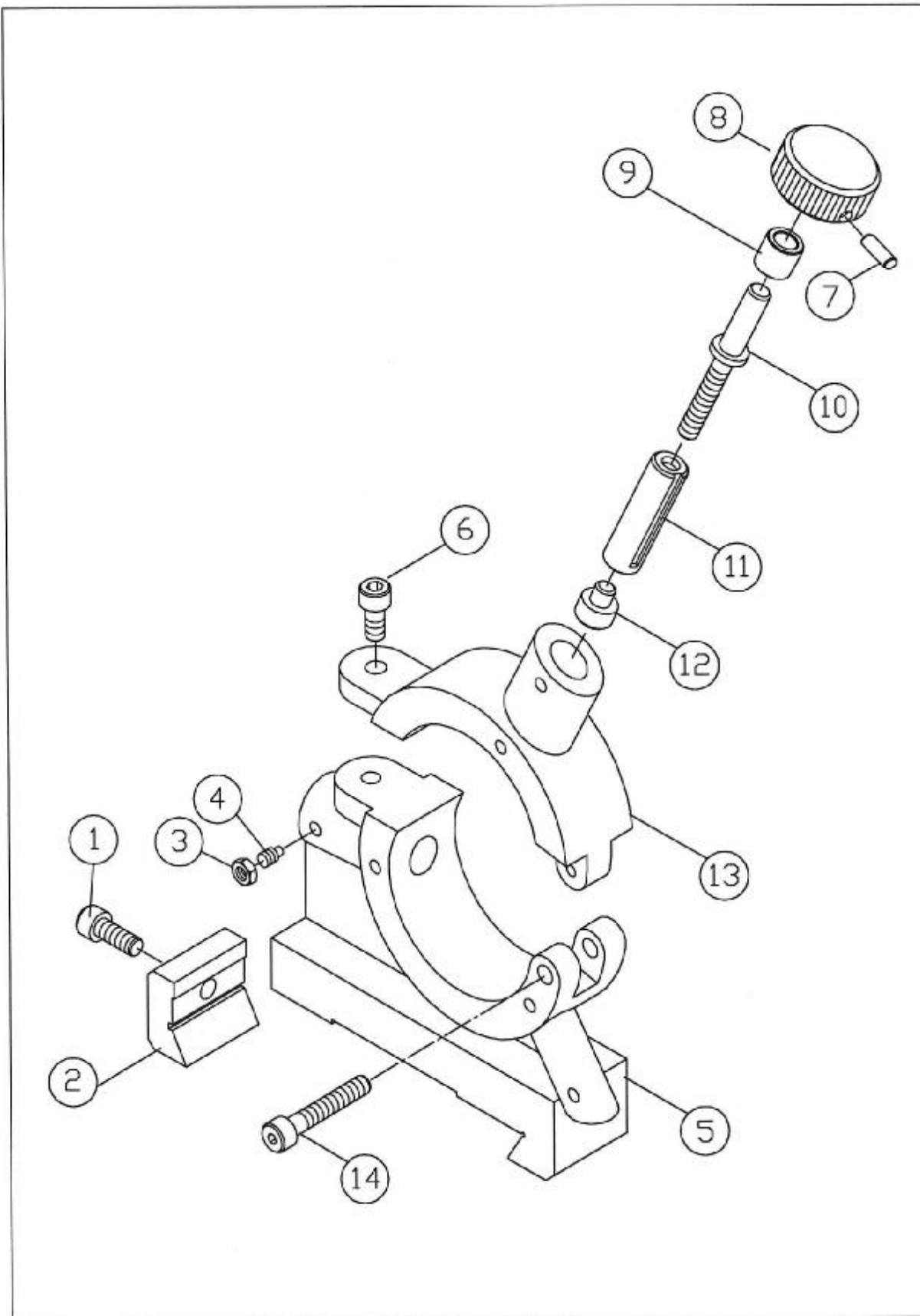
NO.	件號/Parts No.	件名	Description	Remarks	Qty.
1	SD011046	六角孔螺絲	Hex. Socket screw	M6x1x12L	1
2	SD800035	平墊圈	Washer	M6(1/4)	1
3	KA086002	手輪	Handwheel		1
4	SE600211	小通用把手	Handle bar	FN3/8 牙80	1
5	KA085908	軸承間隔環	Bearing spacer		1
6	KA085805	軸承蓋板	Bearing cover		1
7	SD050225	平頭六角孔螺絲	Flat socket screw	M4x0.7x10L	4
8	SA000237	單列深槽滾珠軸承	ball bearing	6202	1
9	KA085207	螺桿	Lead screw		1
10	SE100089	雙頭圓鍵	Groove key	5x5x14L	1
11	KA085104	滑筒	Slide sleeve		1
12	SD810049	彈簧墊圈	Spring washer	M8	1
13	SD011534	六角孔螺絲	Hex. Socket screw	M8x1.25x16	1
14	KM080501	鑽石針座	Diamond dresser		1
15	SS330024	單點鑽石修刀	Diamond tool	#10	1
16	SD030623	固定螺絲	Fixed Screw	M6x1x6L	1
17	SH200219	O型環	O ring	P32	1
18	KA085001	旋轉座	Turret base		1
19	SD030977	固定螺絲	Fixed Screw	M8x1.25x25	1
20	SD810056	彈簧墊圈	Spring washer	M10	2
21	SD200051	六角頭螺帽	Hexagonal nut	M10x1.5(17)	2
22	SD070717	六角頭螺絲	Hex.Head Screw	M10x1.5x50	2
23	KA085609	刻度盤	Graduation plate		1
24	KM080604	底座	Base		1
25	SD011084	六角孔螺絲	Hex. Socket screw	M6x1x25L	4
26	KA020406	下滑板固定塊(右)	Lower Setting Block		1
27	SD011558	六角孔螺絲	Hex. Socket screw	M8x1.25x25	1
28	SD200044	六角頭螺帽	Hexagonal nut	M8x1.25	1
29	K1065607	墊圈	Washer		1



SHARP	圖名 (NAME)	核准 (APPROVE)	日期 (DATE)	圖號 (NUMBER)
	圓弧修整裝置 Radius dressing attachment	沈世傑	89.05.06	AA906151

圖號(NUMBER):	AA906151
圖名(DRAWING):	圓弧修整裝置
	Radius dressing attachment
日期(DATE):	89.08.17
頁數(PAGE):	1-1

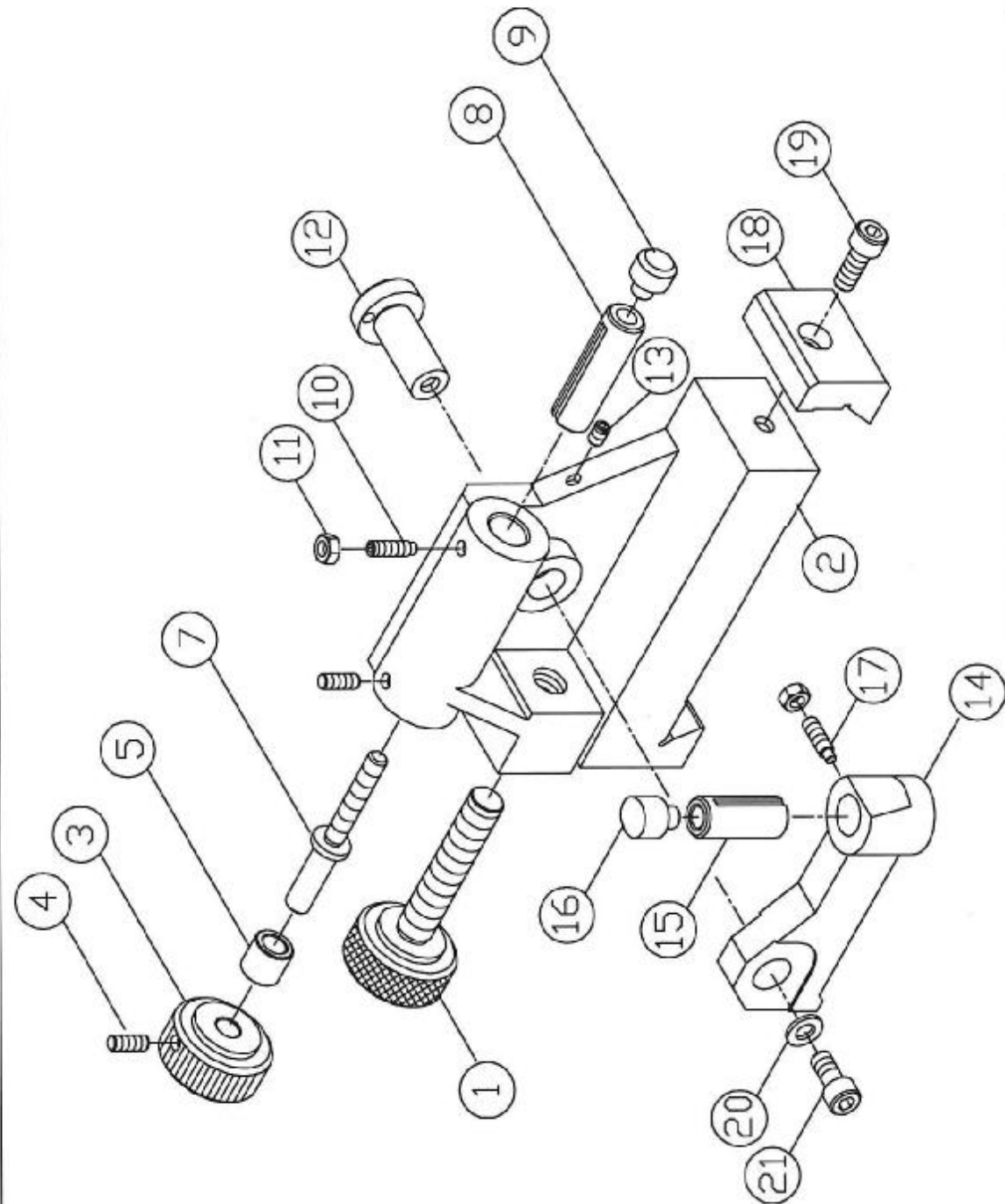
NO.	件號/Parts No.	件名	Description	Remarks	Qty.
1	KM081203	圓弧修整底座	Radius dressing base		1
2	KA087704	下滑板固定塊(右)	Lower Setting Block		1
3	SD011558	六角孔螺絲	Hex. Socket screw	M8x1.25x25L	2
4	KA086404	支持墊塊	Supporting block		1
5	SD011084	六角孔螺絲	Hex. Socket screw	M6x1x25L	4
6	KA086507	圓弧修整座	Radius dressing base		1
7	KA086301	支持塊	Supporting block		1
8	SD010698	六角孔螺絲	Hex. Socket screw	M5x0.8x30L	2
9	SD010650	六角孔螺絲	Hex. Socket screw	M5x0.8x16L	1
10	KA086208	支持塊(二)	Supporting block (2)		1
11	SD010650	六角孔螺絲	Hex. Socket screw	M5x0.8x16L	2
12	KA086600	固定螺栓	Fixed bolt		1
13	KA086703	銅襯	Bronze bushing		1
14	KA086806	銅墊圈	Bronze washer		1
15	KA087405	螺帽	Nut		1
16	SD030317	固定螺絲	Fixed Screw	M5x0.8x6L	2
17	KA086909	護罩	Dust cover		1
18	KA087508	把手	Handbar		1
19	SE660017	塑膠珠	Plastic knob	3/8"-16N 2#	1
20	KA087302	旋鈕	Adjusting knob		1
21	SD030331	固定螺絲	Fixed Screw	M5x0.8x10L	2
22	KA087209	刻度環	Dial ring		1
23	SD030317	固定螺絲	Fixed Screw	M5x0.8x6L	1
24	KB144603	固定螺帽	Fixed nut		1
25	KA087106	調整螺栓	Adjusting bolt		1
26	KA087003	滑筒	Slide sleeve		1
27	SD030623	固定螺絲	Fixed Screw	M6x1x6L	1
28	SS330024	單點鑽石修刀	Diamond tool	#10	1
29	KA083700	固定螺絲	Fixed Screw		1
30	SD200037	六角頭螺帽	Hexagonal nut	M6x1	1



SHARP	圖名 (NAME)	核准 (APPROVE)	日期 (DATE)	圖號 (NUMBER)
	三點支撐架 3-Point steady rest	沈世傑	89.05.08	AA906120

圖號(NUMBER):	AA906120
圖名(DRAWING):	三點支持架
	3-Point stesdy rest
日期 DATE):	89.08.17
頁數(PAGE):	1-1

NO.	件號/Parts No.	件名	Description	Remarks	Qty.
1	SD011541	六角孔螺絲	Hex. Socket screw	M8x1.25x20L	1
2	KA020509	下滑板固定塊(左)	Slide plate fixed block (L)		1
3	SD200037	六角頭螺帽	Hexagonal nut	M6x1	6
4	KB141208	固定螺絲	Fixed Screw		6
5	KM080305	三點中心架下座	3-Point center rest low seat		1
6	SD011534	六角孔螺絲	Hex. Socket screw	M8x1.25x16L	1
7	SD030661	固定螺絲	Fixed Screw	M6x1x16L	3
8	KB141105	調整旋鈕	Adjusting boss		3
9	KB141002	銅襯	Bronze bushing		3
10	KB140908	調整螺栓	Adjusting bolt		3
11	KB140702	調整套筒	Adjusting bushing		3
12	KB140805	銅墊塊	Bronze block		3
13	KM080408	三點中心架上座	3-Point center rest up scat		1
14	KB131005	固定螺栓	Fixed bolt		1

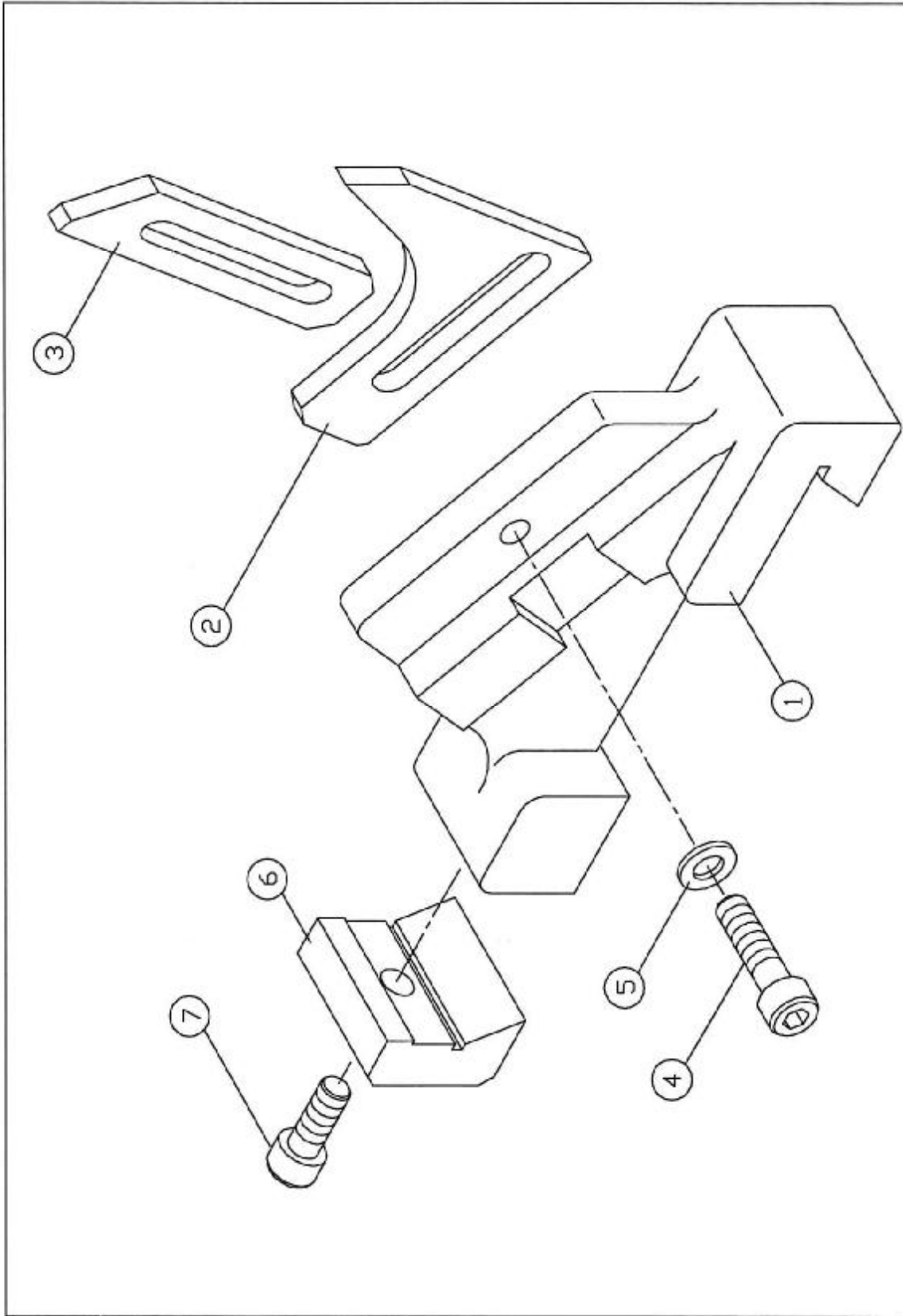


SHARP	二點式持架	名 (NAME)	2-Point steady rest	核准 (APPROVE)	沈世傑	日期 (DATE)	89.05.06	圖號 (NUMBER)	AA906137

圖號(NUMBER):	AA906137
圖名(DRAWING):	二點支持架
	2-Point steady rest
日期 DATE):	89.08.17
頁數(PAGE):	1-1

NO.	件號/Parts No.	件名	Description	Remarks	Qty.
1	KB142508	調整螺椿	Adjusting stake		1
2	KM080109	兩點支持架	2-Point steady rest		1
3	KB141105	調整旋鈕	Adjusting boss		1
4	SD030661	固定螺絲	Fixed Screw	M6x1x16L	1
5	KB141002	銅襯	Bronze bushing		1
6	SD030630	固定螺絲	Fixed Screw	M6x1x8L	1
7	KB140908	調整螺栓	Adjusting bolt		1
8	KB140702	調整套筒	Adjusting bushing		1
9	KB140805	銅墊塊	Bronze block		1
10	KB141208	固定螺絲	Fixed Screw		1
11	SD200037	六角頭螺帽	Hexagonal nut	M6x1	2
12	KA088004	固定軸	Fixed arbor		1
13	SD030630	固定螺絲	Fixed Screw	M6x1x8L	1
14	KM080202	兩點支持架(二)	2-Point steady rest (2)		1
15	KA088107	固定套筒	Fixed rod		1
16	KB142405	銅墊塊	Bronze block		1
17	KB141208	固定螺絲	Fixed Screw		1
18	KA020406	下滑板固定塊(右)	Lower Setting Block		1
19	SD011541	六角孔螺絲	Hex. Socket screw	M8x1.25x20L	2
20	K1065607	墊圈	Washer		1
21	SD011534	六角孔螺絲	Hex. Socket screw	M8x1.25x16L	1



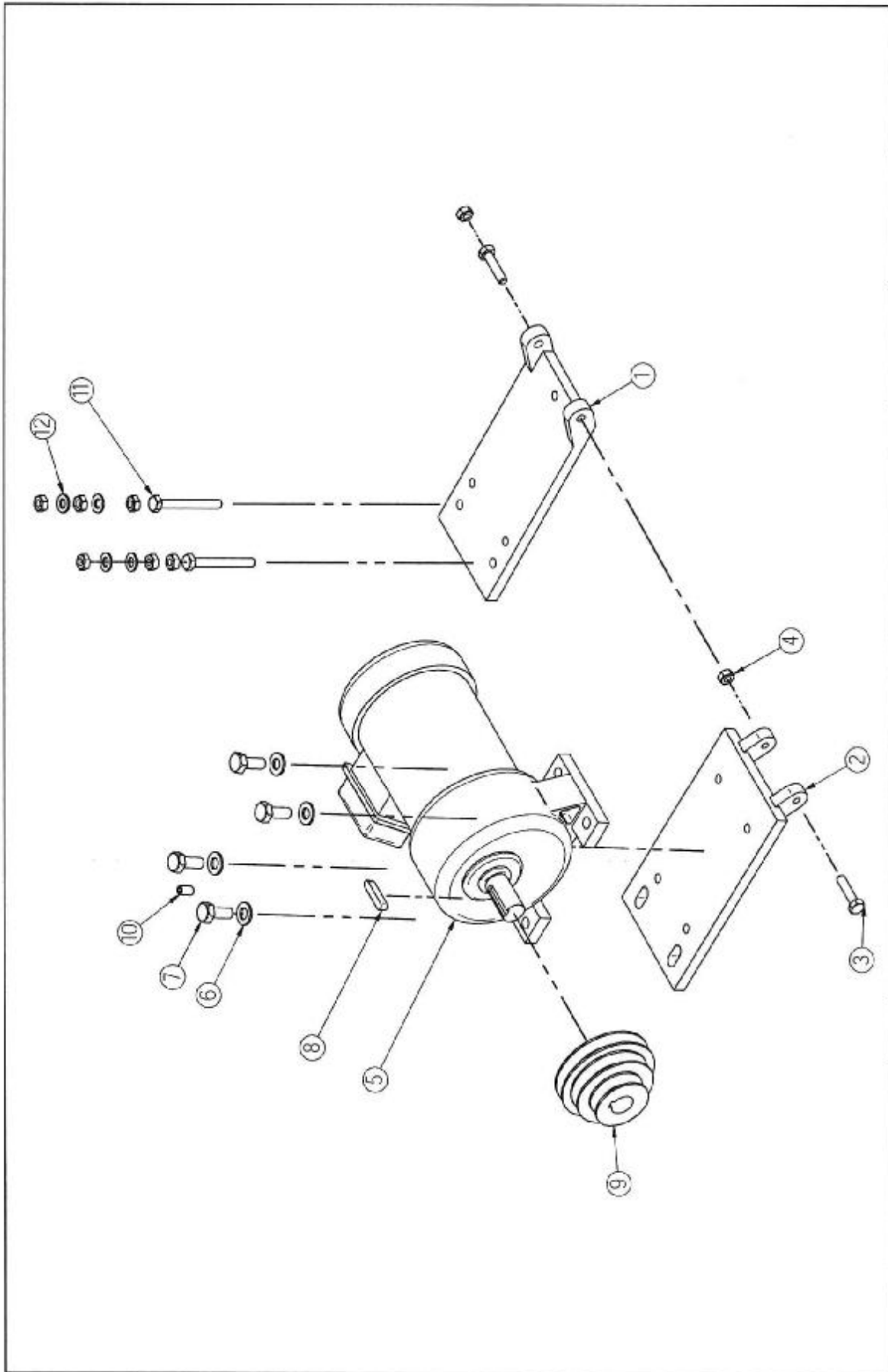


SHARP	名 (NAME)	核准 (APPROVE)	日期 (DATE)	圖號 (NUMBER)
	工件支撐架 Work steady rest	沈世傑	89.05.06	AA906144



圖號(NUMBER):	AA906144
圖名(DRAWING):	工件支持架
	Work steady rest
日期(DATE):	89.08.17
頁數(PAGE):	1-1

NO.	件號/Parts No.	件名	Description	Remarks	Qty.
1	KM075004	工件支持架	Work steady rest		1
2	KM075107	調整板	Adjusting plate		1
3	KM075200	固定板	Fixed Plate		1
4	SD011565	六角孔螺絲	Hex. Socket screw	M8x1.25x30L	1
5	K1065607	墊圈	Washer		1
6	KA020509	下滑板固定塊(左)	Slide plate fixed block (L)		1
7	SD011541	六角孔螺絲	Hex. Socket screw	M8x1.25x20L	1



SHARP	圖名	圖號 (NUMBER)
	NAME	
核准 (APP)	日期 (DATE)	圖號 (NUMBER)
沈世傑	日期	

圖號(NUMBER):	AA060105
圖名(DRAWING):	減速機座(三段變速)
	Reduction gear
日期 DATE):	2007.02.07
頁數(PAGE):	1-1

NO.	件號/Parts No.	件名	Description	Remarks	Qty.
1	BA060105	馬達架下座	Mount Motor Lower Holder		1
2	BA060208	馬達架上座	Motor Fixed Plate	220*120*12	1
3	SD011565	六角孔螺絲	Hex. Socket screw	M8x1.25x30L	2
4	SD200044	六角頭螺帽	Hexagonal nut	M8x1.25	8
5		減速機	Reduction gear	1-4HP-4P	1
6		墊圈	Washer		4
7	SD070621	六角頭螺絲	Hex.Head Screw	M10x1.5x10L	4
8		雙頭圓鍵	Groove key	7x7x36	1
9	KA063900	馬達皮帶輪	Motor pulley		1
10				M8x1.25x15	1
11	SD011668	六角孔螺絲	Hex. Socket screw	M8x1.25x70L	2
12		墊圈	Washer		4